

RICOH

RICOH PRIPORT VT3800
PARTS CATALOG

First Edition November 1995

RICOH COMPANY, LTD.

PARTS CATALOG

INTRODUCTION

This chapter instructs you the numbers and names of parts on this machine.

INDEX to PARTS CATALOG

VT3800	(C223)
DF UNIT	(C550)
DF UNIT TYPE 50	(C562)
SORTER TS20A/20B	(C560/C561)
RT4000	(C563)
TAPE MARKER TYPE20	(C532)

VT3800 (C223)

PARTS CATALOG

INTRODUCTION

This chapter instructs you the numbers and names of parts on this machine.

INDEX to PARTS CATALOG

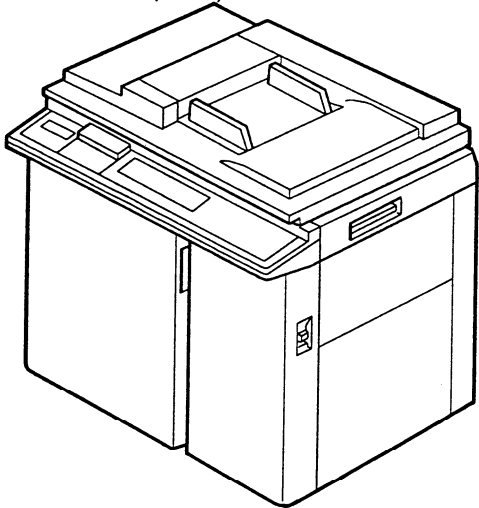
Location of Unit	3	17.PAPER EXIT SECTION 1 (C223)	42
1.EXTERIOR (C223)	10	18.PAPER EXIT SECTION 2 (C223)	44
2.PLATEN COVER (C223)	12	19.PAPER EXIT SECTION 3 (C223)	46
3.FRAME SECTION 1 (C223)	14	20.DRUM SECTION 1 (C223)	48
4.FRAME SECTION 2 (C223)	16	21.DRUM SECTION 2 (C223)	50
5.DRIVE SECTION 1 (C223)	18	22.DRUM SECTION 3 (C223)	52
6.DRIVE SECTION 2 (C223)	20	23.DRUM SECTION 4 (C223)	54
7.PAPER TABLE SECTION 1 (C223)	22	24.DRUM SECTION 5 (C223)	56
8.PAPER TABLE SECTION 2 (C223)	24	25.SCANNER SECTION 1 (C223)	58
9.PAPER FEED ROLLER AND SEPARATION ROLLER(C223)	26	26.SCANNER SECTION 2 (C223)	60
10.PAPER SEPARATION ROLLER (C223)	28	27.SCANNER SECTION 3 (C223)	62
11.PAPER DELIVERY SECTION 1 (C223)	30	28.SCANNER SECTION 4 (C223)	64
12.PAPER DELIVERY SECTION 2 (C223)	32	29.PLOTTER SECTION 1 (C223)	66
13.PAPER DELIVERY SECTION 3 (C223)	34	30.PLOTTER SECTION 2 (C223)	68
14.PAPER DELIVERY SECTION 4 (C223)	36	31.PLOTTER SECTION 3 (C223)	70
15.DELIVERY TABLE 1 (C223)	38	32.PLOTTER SECTION 4 (C223)	72
16.DELIVERY TABLE 2 (C223)	40	33.MASTER EJECT SECTION 1 (C223)	74
		34.MASTER EJECT SECTION 2 (C223)	76

November,31'95

35.MASTER EJECT SECTION 3 (C223)	78
36.ELECTRICAL SECTION 1 (C223)	80
37.ELECTRICAL SECTION 2 (C223)	82
38.ACCESSORISE ANDSPECIAL TOOLS (C223)	84
39.CASSETTE (C223).....	86
40.MAIN CONTROL BOARD (C223)	88
41.AC DRIVE BOARD (C223).....	90
42.IMAGE PROCESSING BOARD (C223)	92
43.TABLE SECTION (C223)	94
44.DECAL AND DOCUMENT (C223)	96
PARTS INDEX	99

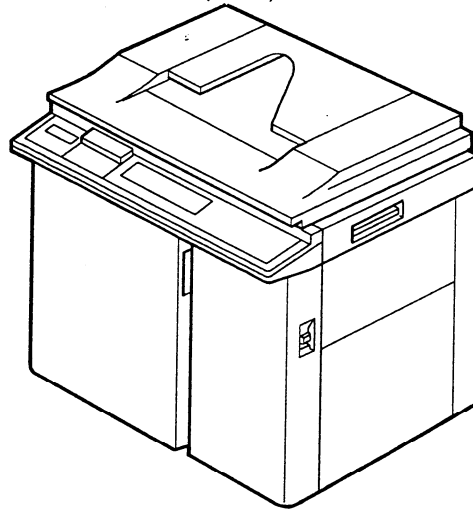
Location of Unit

1. EXTERIOR (C223)



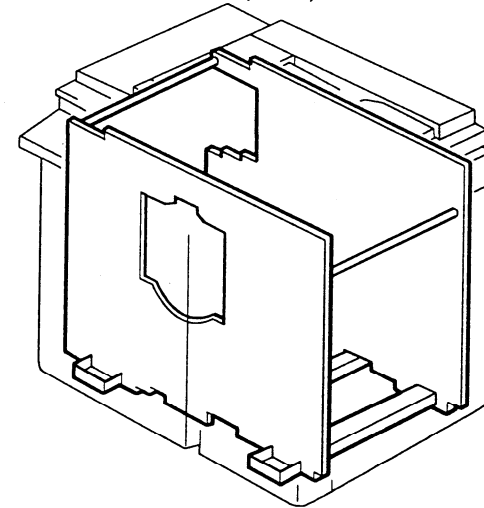
See Page 10

2. PLATEN COVER (C223)



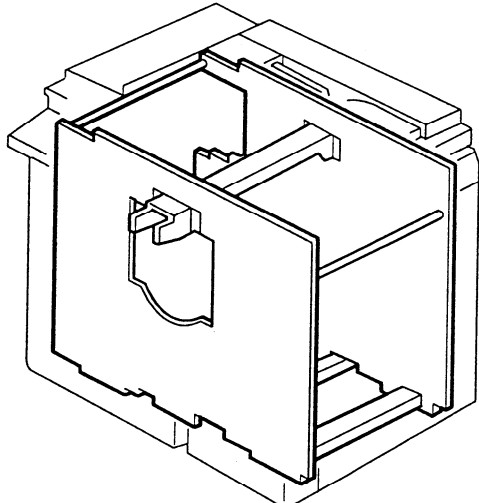
See Page 12

3. FRAME SECTION 1 (C223)



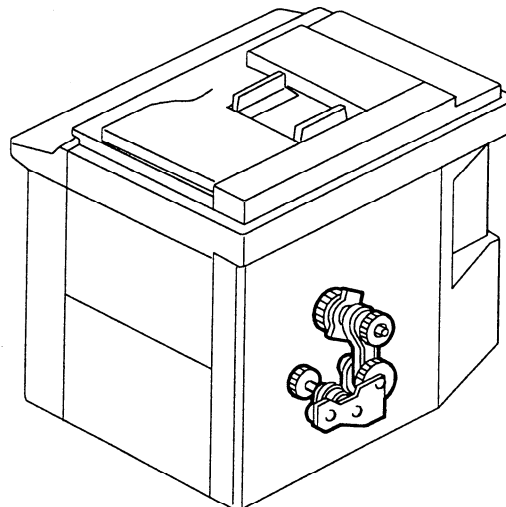
See Page 14

4. FRAME SECTION 2 (C223)



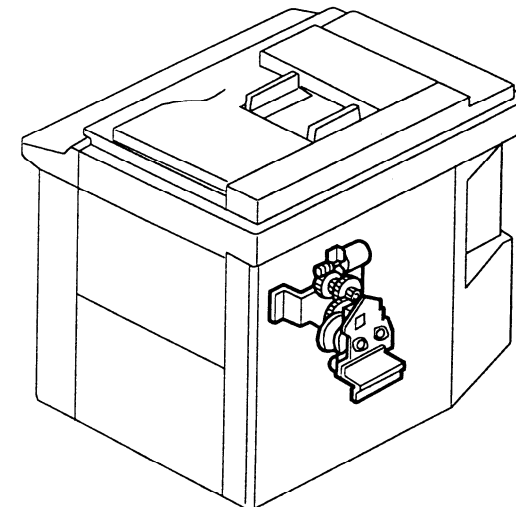
See Page 16

5. DRIVE SECTION 1 (C223)



See Page 18

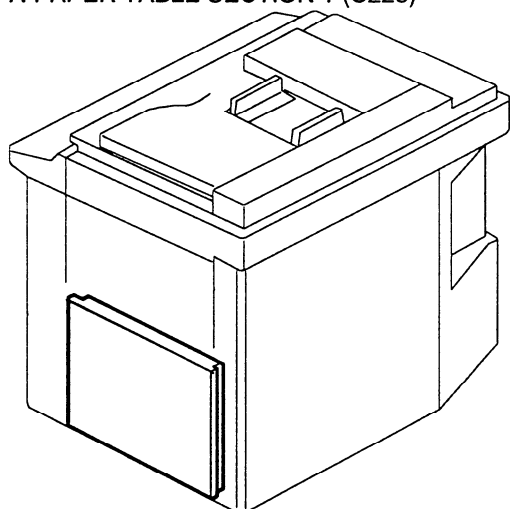
6. DRIVE SECTION 2 (C223)



See Page 20

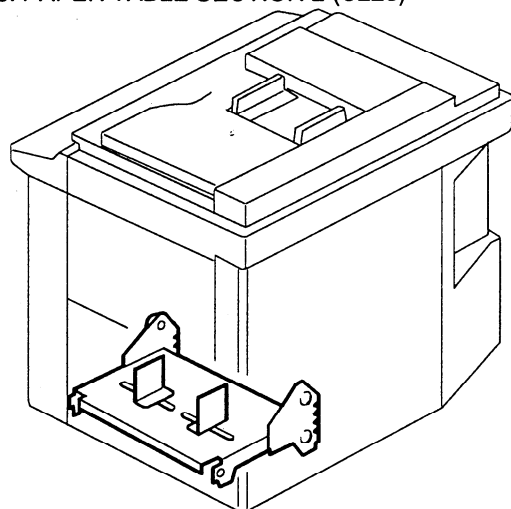
Location of Unit

7. PAPER TABLE SECTION 1 (C223)



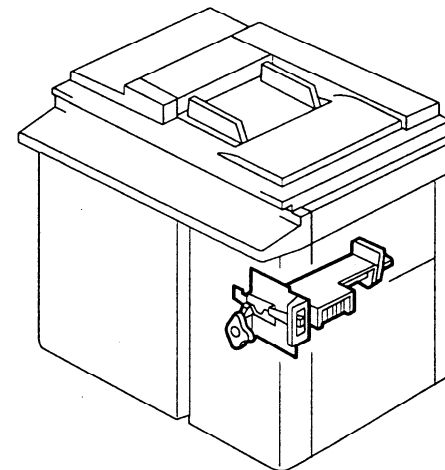
See Page 22

8. PAPER TABLE SECTION 2 (C223)



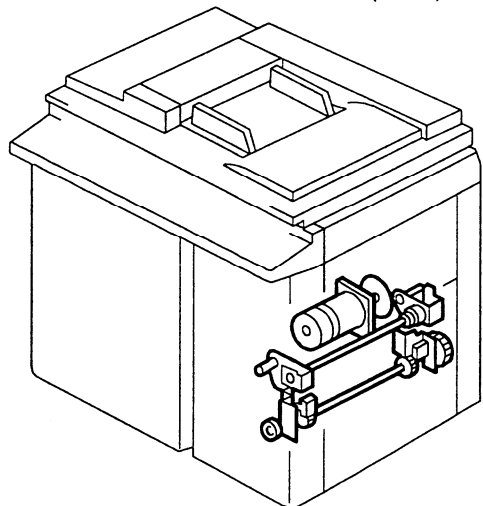
See Page 24

9. PAPER FEED ROLLER AND SEPARATION ROLLER (C223)



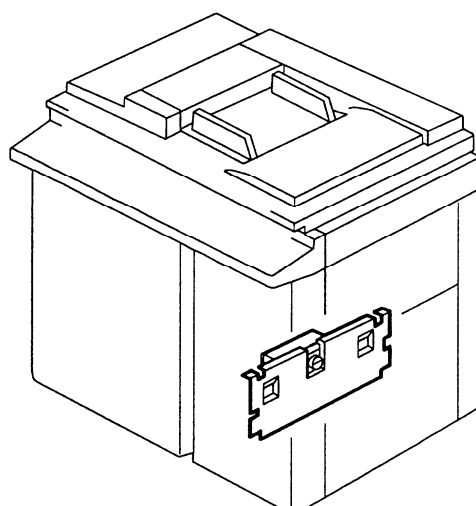
See Page 26

10. PAPER SEPARATION ROLLER (C223)



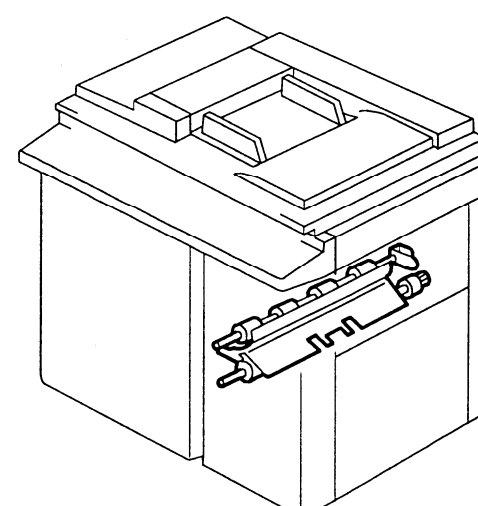
See Page 28

11. PAPER DELIVERY SECTION 1 (C223)



See Page 30

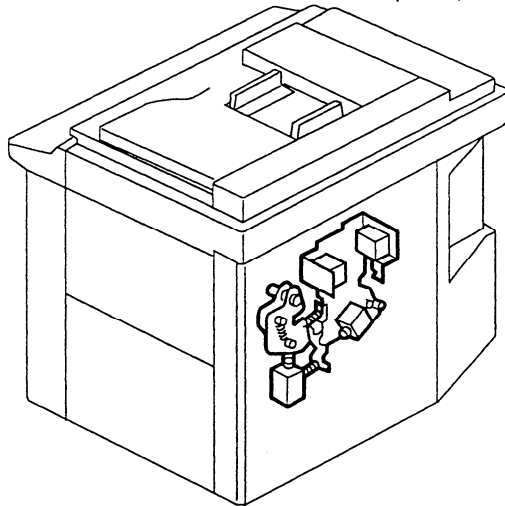
12. PAPER DELIVERY SECTION 2 (C223)



See Page 32

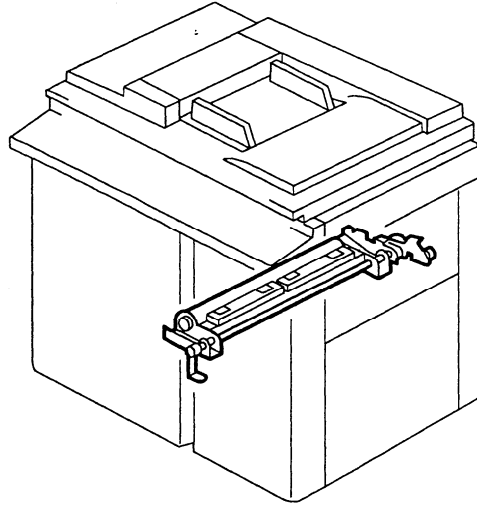
Location of Unit

13. PAPER DELIVERY SECTION 3 (C223)



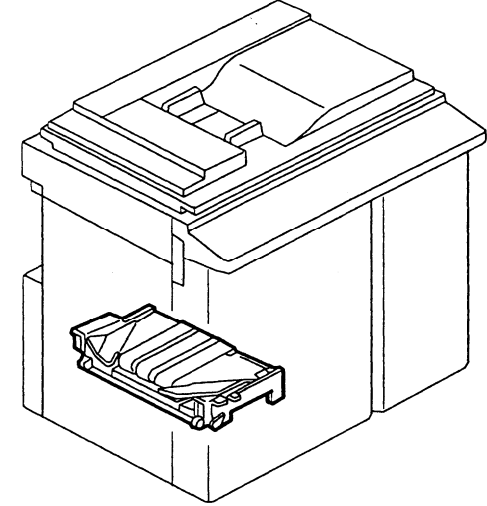
See Page 34

14. PAPER DELIVERY SECTION 4 (C223)



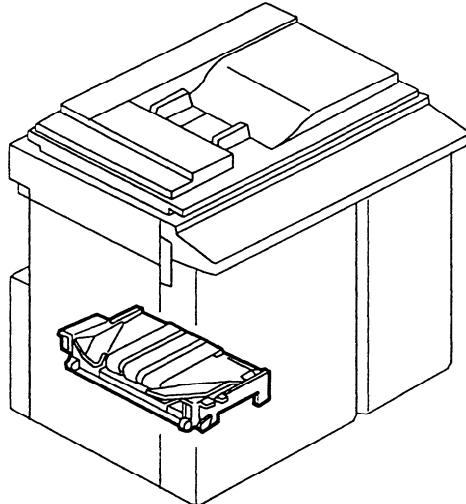
See Page 36

15. DELIVERY TABLE 1 (C223)



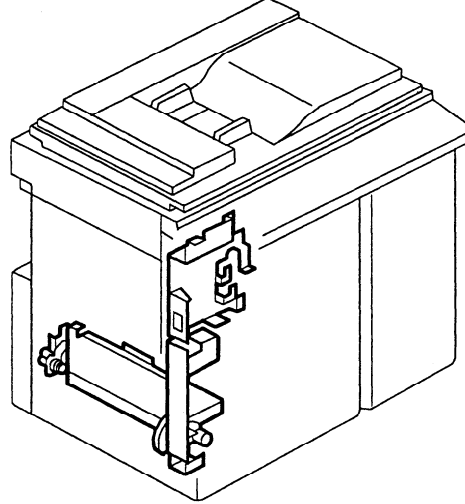
See Page 38

16. DELIVERY TABLE 2 (C223)



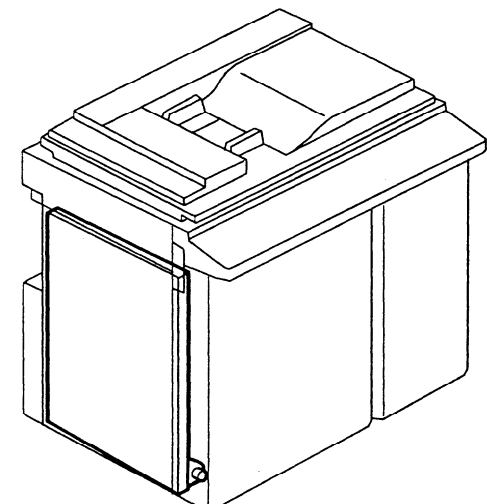
See Page 40

17. PAPER EXIT SECTION 1 (C223)



See Page 42

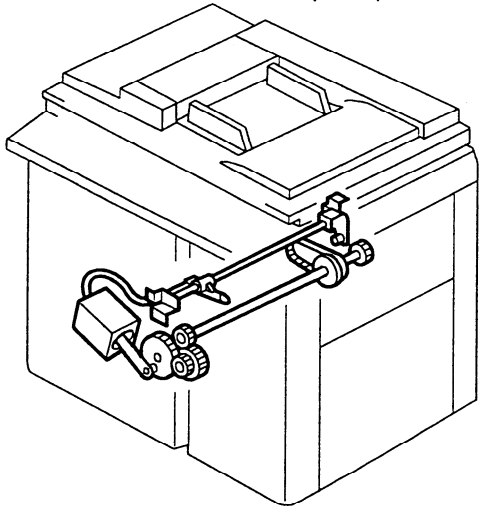
18. PAPER EXIT SECTION 2 (C223)



See Page 44

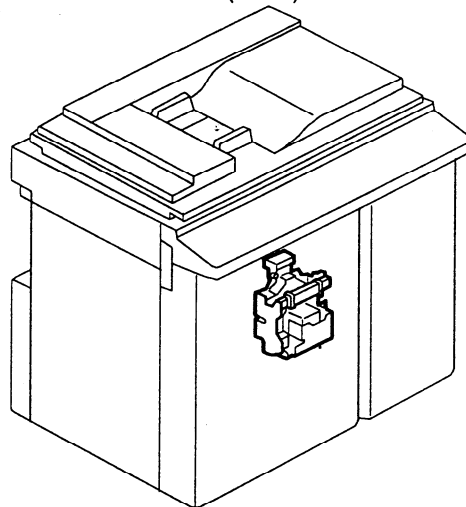
Location of Unit

19. PAPER EXIT SECTION 3 (C223)



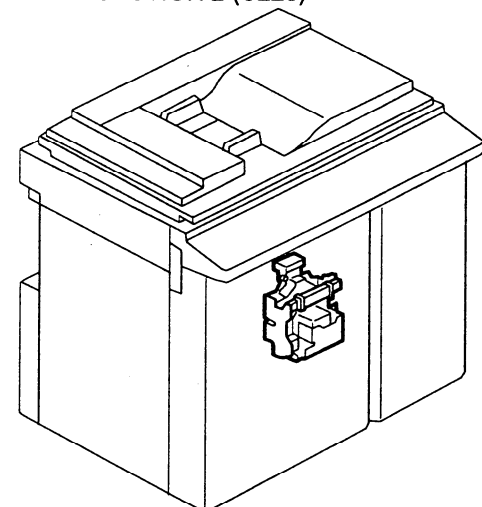
See Page 46

20. DRUM SECTION 1 (C223)



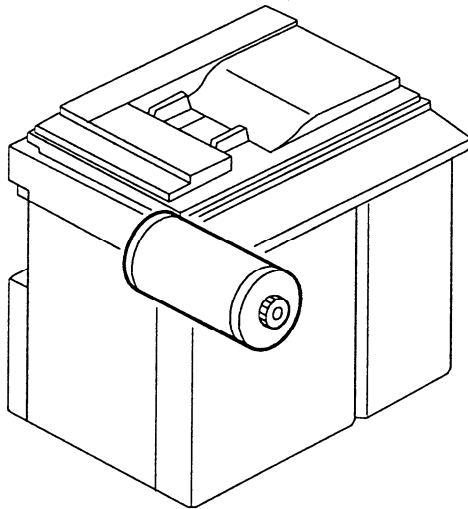
See Page 48

21. DRUM SECTION 2 (C223)



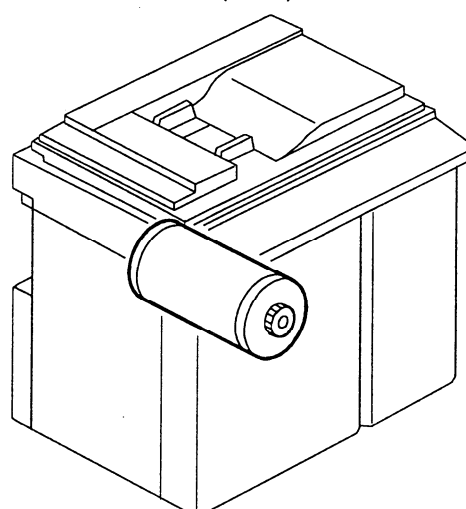
See Page 50

22. DRUM SECTION 3 (C223)



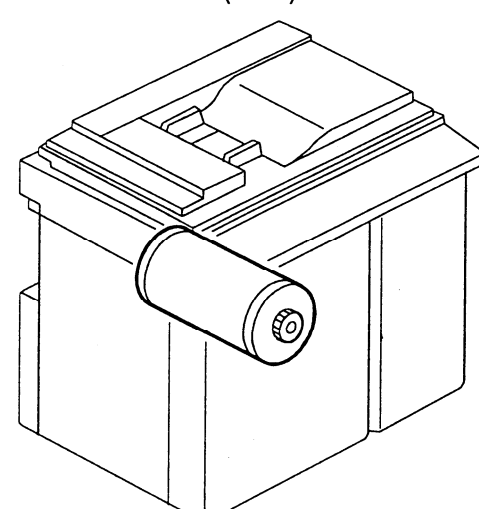
See Page 52

23. DRUM SECTION 4 (C223)



See Page 54

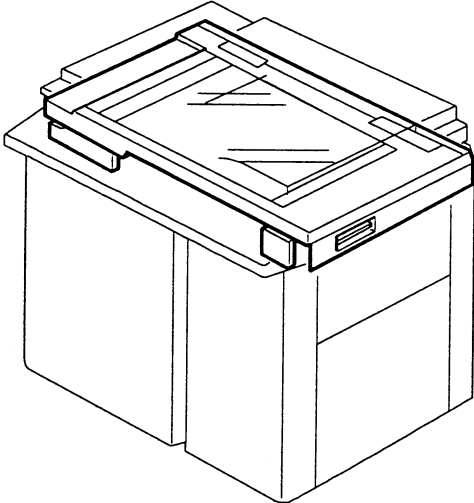
24. DRUM SECTION 5 (C223)



See Page 56

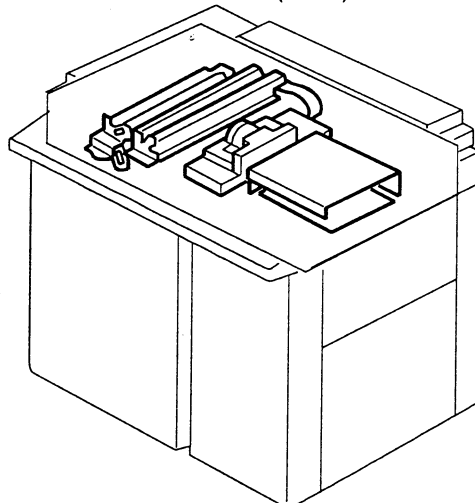
Location of Unit

25. SCANNER SECTION 1 (C223)



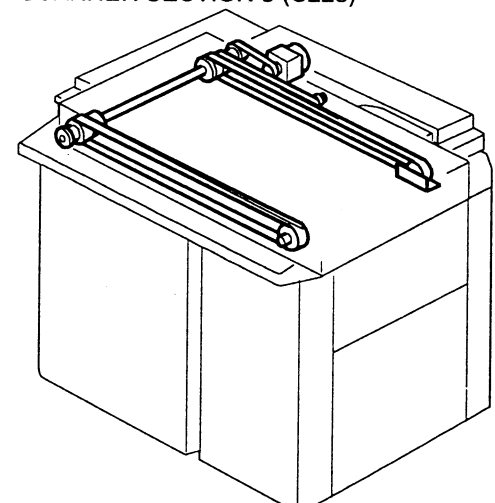
See Page 58

26. SCANNER SECTION 2 (C223)



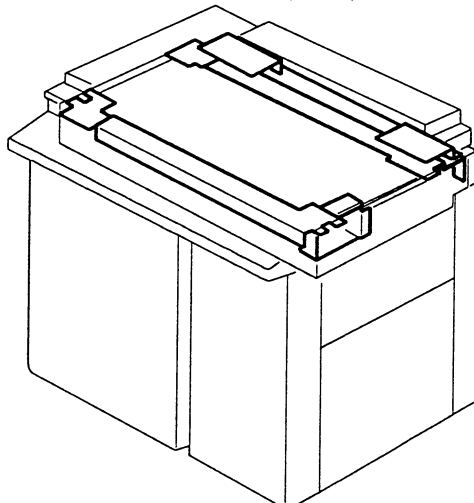
See Page 60

27. SCANNER SECTION 3 (C223)



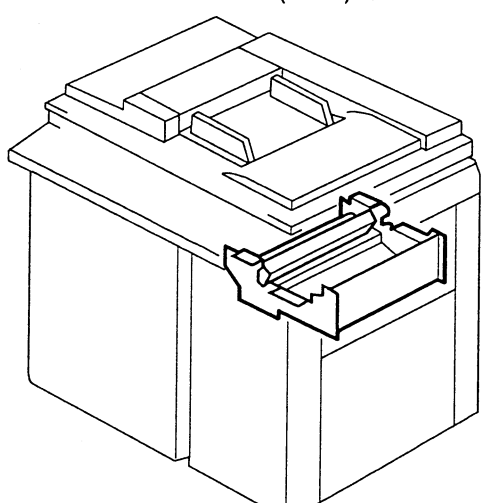
See Page 62

28. SCANNER SECTION 4 (C223)



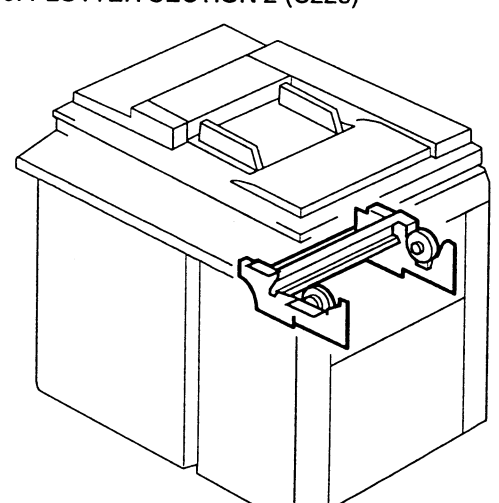
See Page 64

29. PLOTTER SECTION 1 (C223)



See Page 66

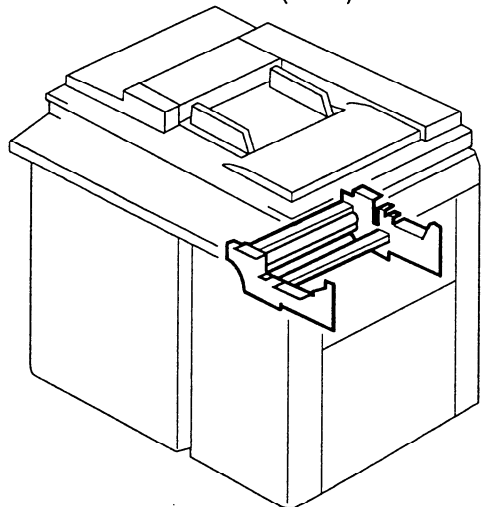
30. PLOTTER SECTION 2 (C223)



See Page 68

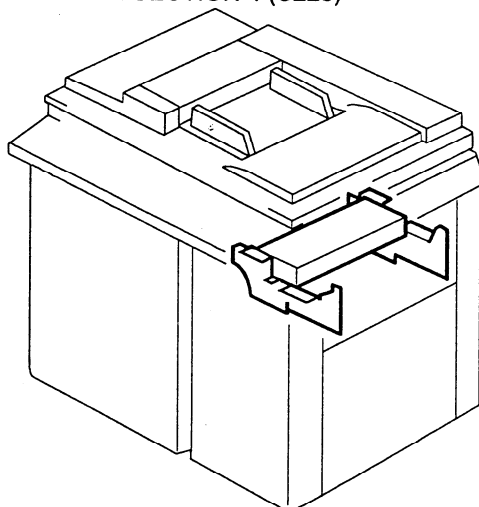
Location of Unit

31. PLOTTER SECTION 3 (C223)



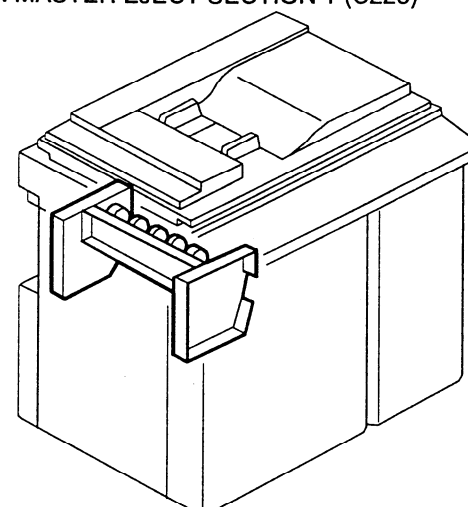
See Page 70

32. PLOTTER SECTION 4 (C223)



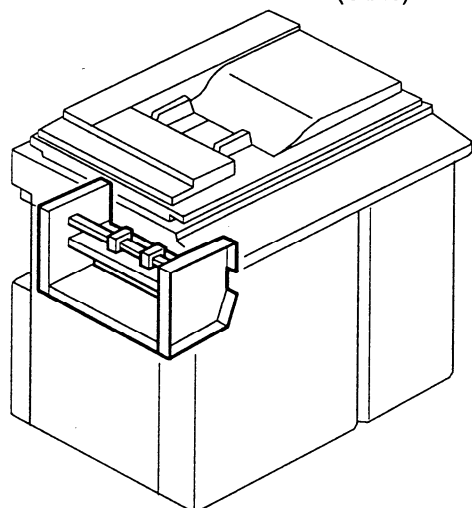
See Page 72

33. MASTER EJECT SECTION 1 (C223)



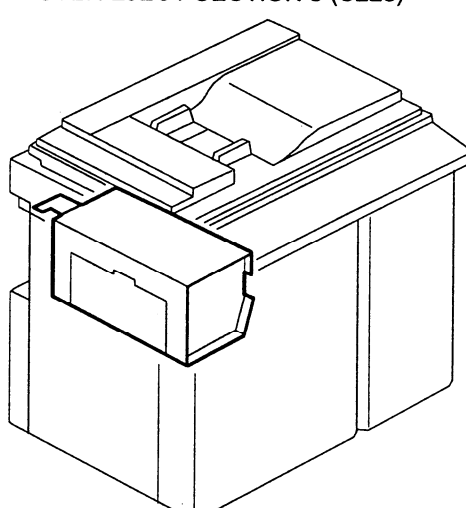
See Page 74

34. MASTER EJECT SECTION 2 (C223)



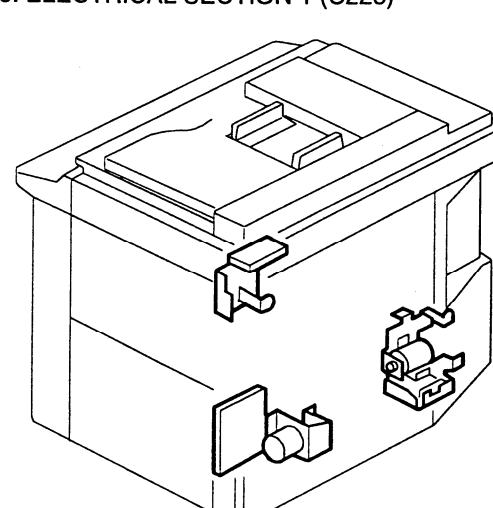
See Page 76

35. MASTER EJECT SECTION 3 (C223)



See Page 78

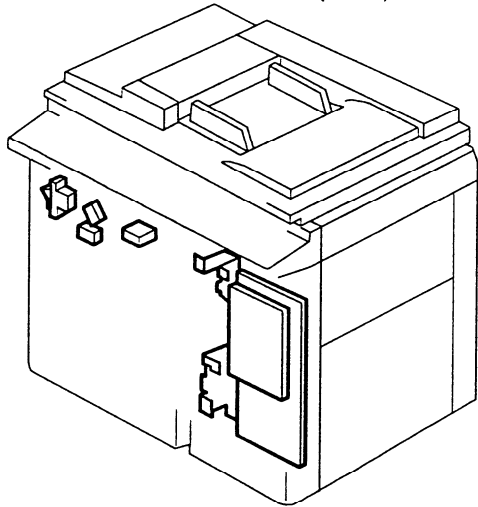
36. ELECTRICAL SECTION 1 (C223)



See Page 80

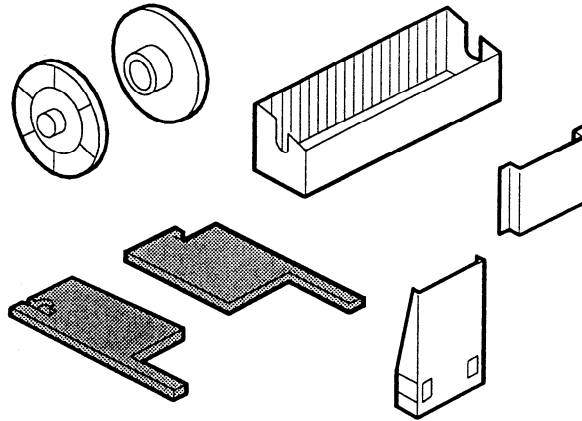
Location of Unit

37. ELECTRICAL SECTION 2 (C223)



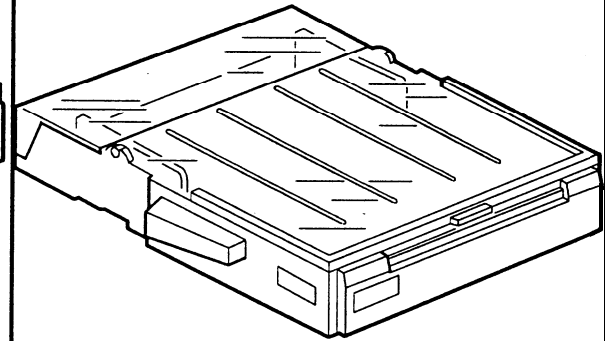
See Page 82

38. ACCESSORISE AND SPECIAL TOOLS (C223)



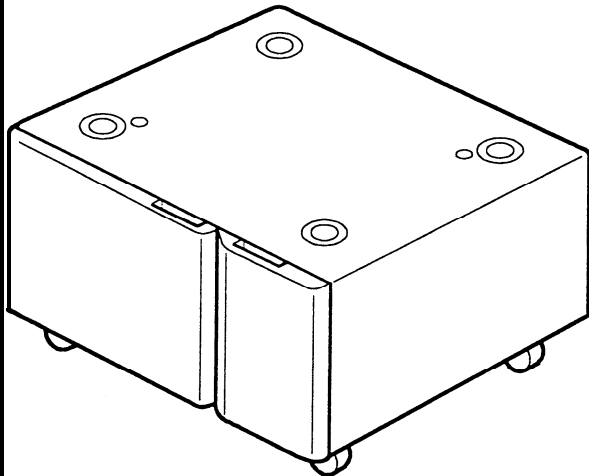
See Page 84

39. CASSETTE (C223)



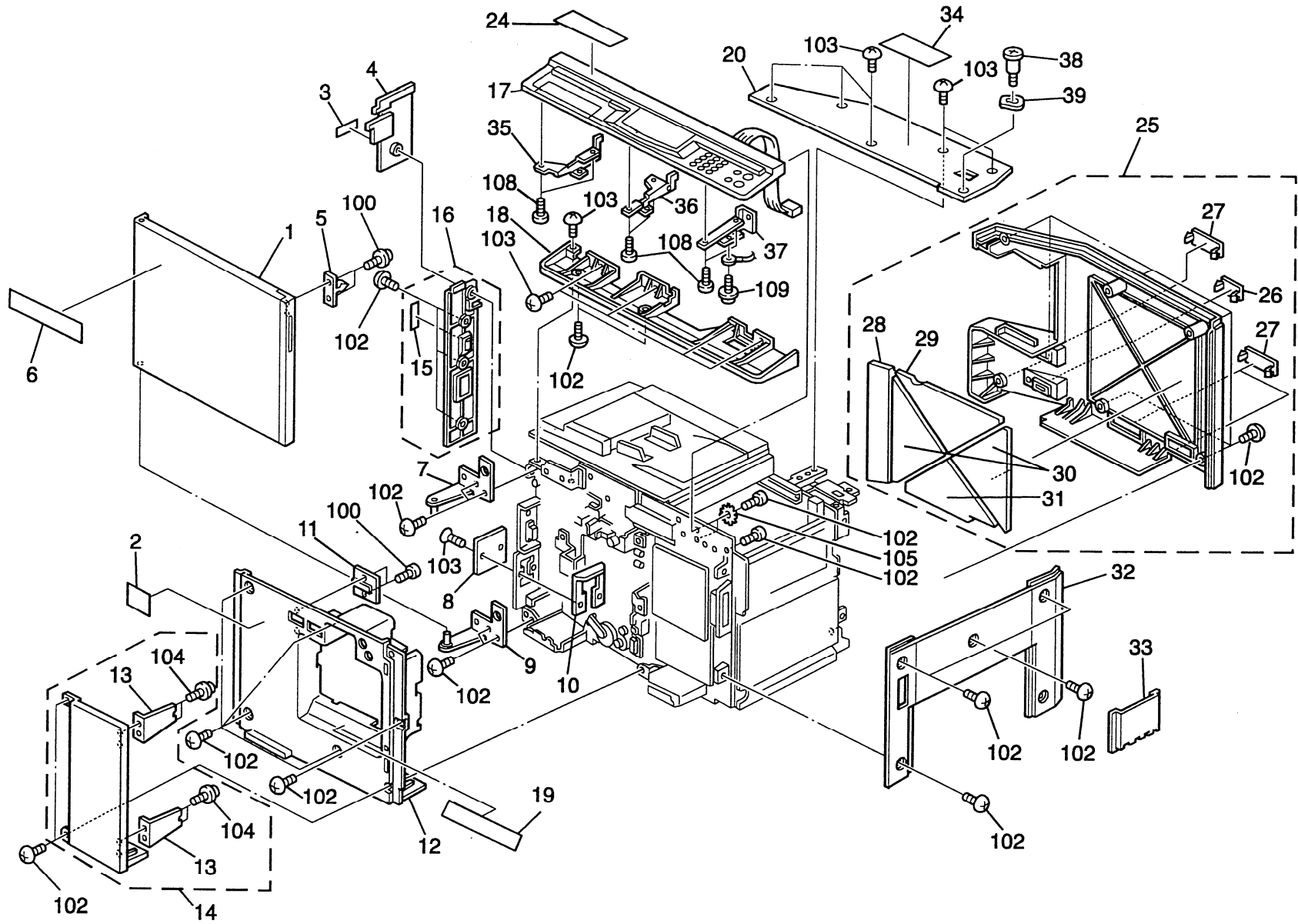
See Page 86

40. TABLE SECTION (C223)



See Page 98

1. EXTERIOR (C223)

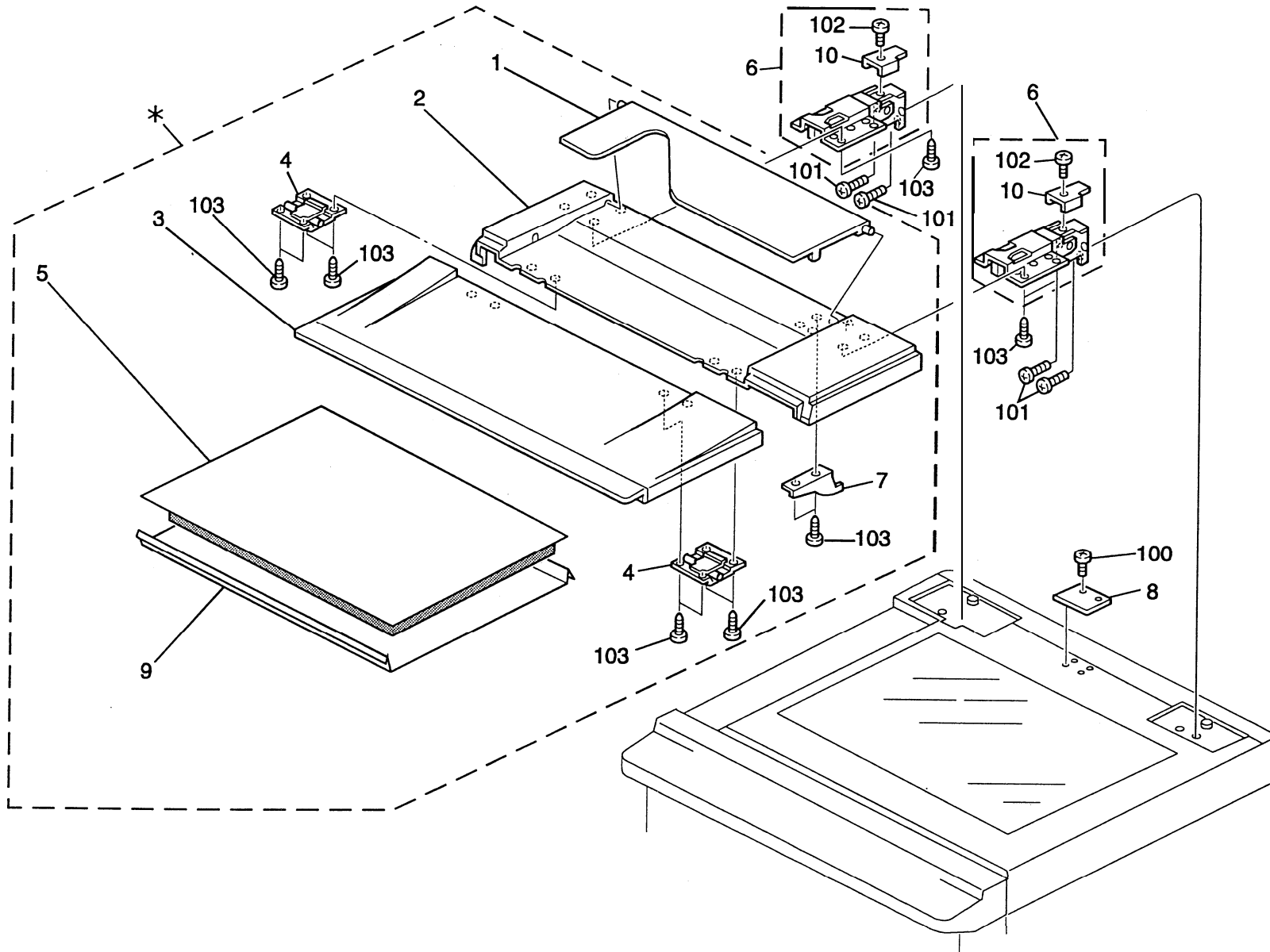


1. EXTERIOR (C223)

Index No.	Part No.	Description	Q'ty Per Assembly
1	C218 2424	Front Door Ass'y (RIC)	1
1	C222 2862	Front Door Ass'y (NRG)	1
1	C223 2921	Front Door Ass'y (SVN)	1
1	C218 2954	Front Door Ass'y (AB DICK)	1
2	C218 2816	Decal - Drum Replacement - LT	1
3	C218 2825	Decal - Master Eject Open	1
4	C218 2750	Front Left Cover	1
5	C209 2469	Door Catch	1
6	C223 2865	Model Name Plate - GES	1
6	C223 2866	Model Name Plate - REX	1
6	C223 2867	Model Name Plate - NSA	1
7	C209 2432	Upper Hinge Bracket	1
8	C217 2455	Key Counter Cover	1
9	C209 2435	Lower Hinge Bracket	1
10	A030 1339	Plate Nut - Key Counter	1
11	C209 2470	Left Cover Cap	1
12	C218 2803	Left Front Cover - LT	1
12	C218 2832	Left Front Cover (A4)	1
13	C209 2411	Right Cover Support Bracket	2
14	C223 2810	Front Cover Ass'y (RIC)	1
14	C222 2860	Front Cover Ass'y (NRG)(SVN)	1
14	C223 2910	Front Cover Ass'y (AB DICK)	1
15	C217 2514	Decal - Main Switch	1
16	C218 2809	Main Switch Cover	1
17	C223 2801	Operation Panel Ass'y (LT)	1
17	C223 2831	Operation Panel Ass'y (A4)	1
18	C218 2405	Lower Cover- Operation Panel	1
19	C218 2817	Decal - Replacement	1
20	C222 2811	Rear Upper Cover	1
24	A153 6409	Decal Key-top Cover (GES)	1
24	C225 2866	Decal Key-top Cover (REX)	1
24	C225 2867	Decal Key-top Cover (NSA)	1
25	C223 2812	Rear Cover Ass'y	1
26	C217 2453	Rear Cover Cap- Small	1
27	C217 2454	Rear Cover Cap- Large	2

Index No.	Part No.	Description	Q'ty Per Assembly
28	C221 2575	Large Pad - Rear Cover	1
29	C209 2572	Upper Pad - Rear Cover	1
30	C209 2574	Side Pad - Rear Cover	2
31	C221 2573	Lower Pad - Rear Cover	1
32	C218 2450	Right Cover	1
33	C219 2705	Original Holder	1
34	C222 2552	Decal - Master Set	1
35	C222 2120	Left Bracket - Operation Panel	1
36	C222 2121	Middle Bracket - Operation Panel	1
37	C222 2122	Right Bracket - Operation Panel	1
38	C218 2525	Stepped Screw - M4	1
39	C217 5102	Spring Washer	1
100	0965 3006Z	Tapping Screw With Flat Washer-M3x6	
102	0344 0080D	Philips Truss Head Screw - M4x8	
103	0333 0080D	Philips Counter Sunk Screw - M3x8	
104	0965 4008W	Tapping Screw With Flat Washer-M4x8	
105	0705 0040B	Toothed Washer	
108	0802 5097	Tapping Screw - M3x10	
109	0951 4006Z	Philips Screw With Flat Washer M4x6	

2. PLATEN COVER (C223)

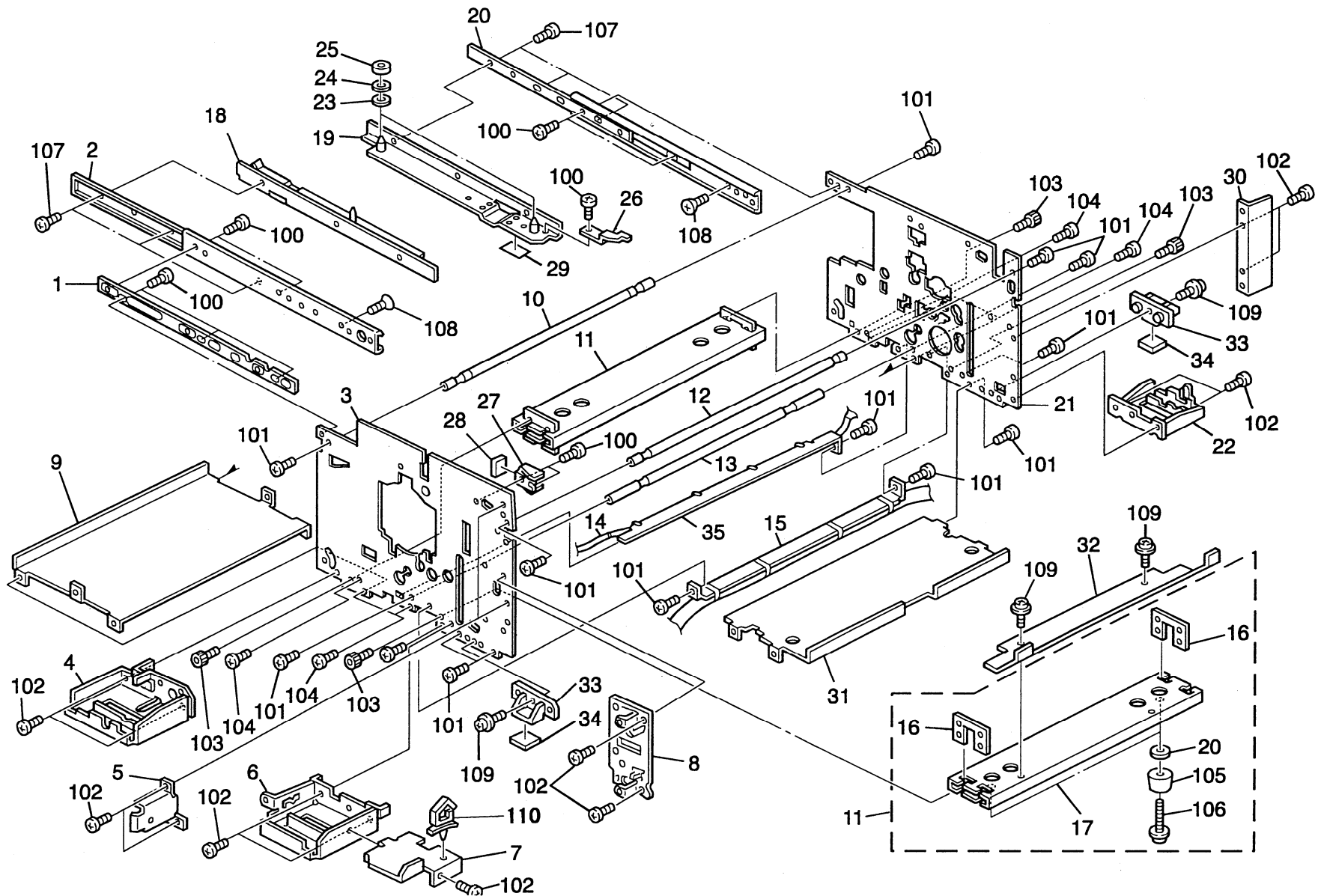


2. PLATEN COVER (C223)

Index No.	Part No.	Description	Q'ty Per Assembly
*	C218 2807	Platen Cover Ass'y	1
1	C219 2705	Original Holder	1
2	C219 2704	Rear Platen Cover	1
3	C219 2702	Front Platen Cover	1
4	5448 2824	Flex Hinge - Platen Cover	2
5	AA16 2053	Platen Cover Pad	1
6	C219 2710	Platen Cover Hinge	2
7	C219 2706	Platen Cover Sensor Actuator	1
8	C219 3473	Interface Cover	1
9	C219 2708	Platen Cover Sheet	1
10	C219 2711	Hinge Stopper	2

Index No.	Part No.	Description	Q'ty Per Assembly
100	0801 1004	Screw - M4X4	
101	0314 0060W	Philips Pan Head Screw - M4x6	
102	0313 0050W	Philips Pan Head Screw - M3x5	
103	0452 4012Z	Tapping Screw - M4x12	

3. FRAME SECTION 1 (C223)

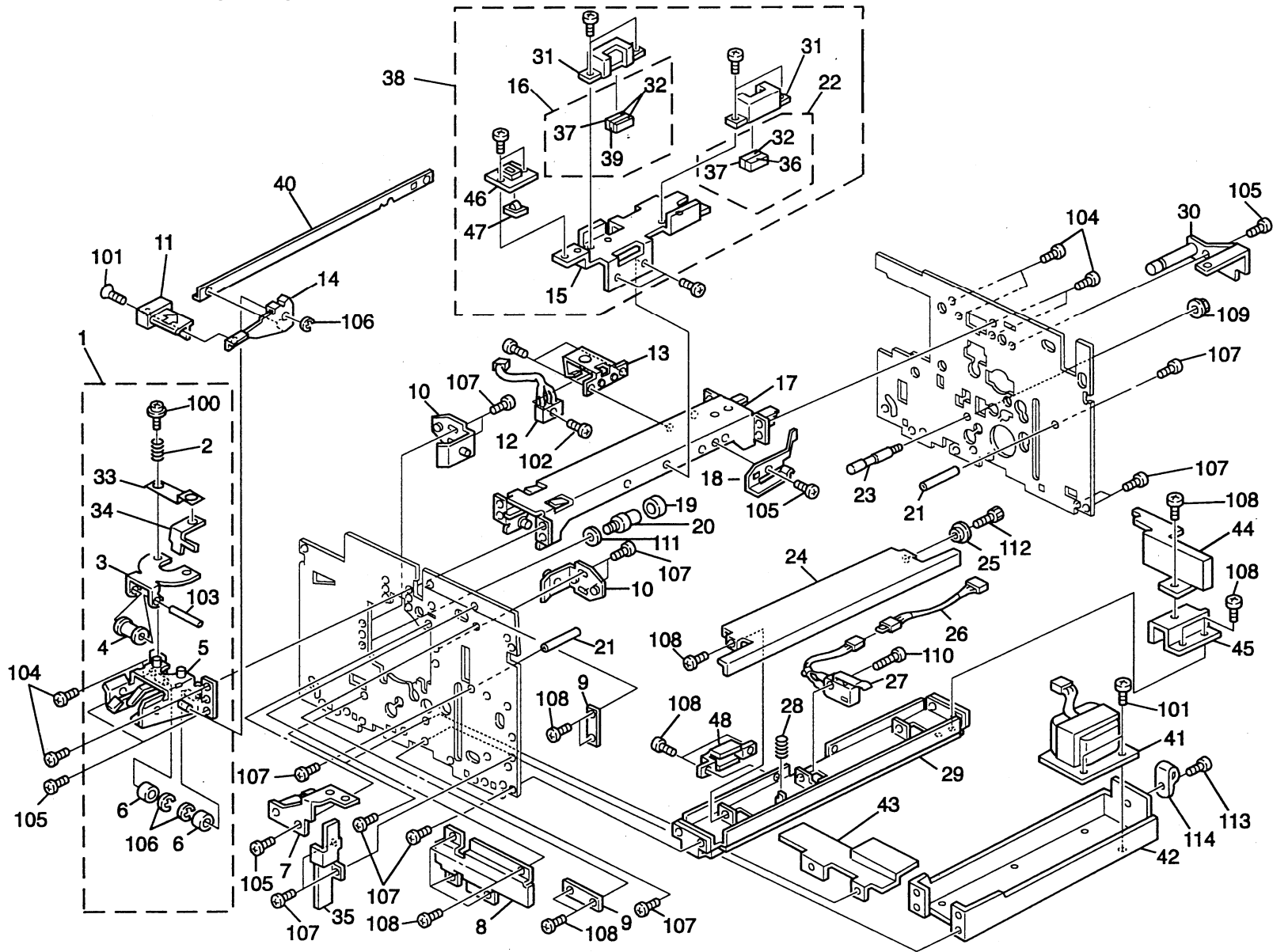


3. FRAME SECTION 1 (C223)

Index No.	Part No.	Description	Q'ty Per Assembly
1	C218 3124	Spacer	1
2	C218 3123	Slide Rail	2
3	C222 2001	Left Side Plate	1
4	C219 2106	Left Grip - Paper Delivery	1
5	C209 2413	Right Cover Bracket	1
6	C209 2061	Left Grip - Paper Feed	1
7	C222 2062	Left Grip Cover	1
8	C218 2120	Board Bracket	1
9	C222 2098	Bottom Cover	1
10	C203 2091	Front Shaft	1
11	C222 2071	Bottom Stay	2
12	C209 2050	Front Stay	1
13	C219 2111	Shaft	1
14	C223 8223	AC Drive Harness - 230V	1
14	C223 8123	AC Drive Harness - 120V	1
15	C223 8111	DC Drive Harness - 120V	1
15	C223 8208	DC Drive Harness - 230V	1
16	C203 2096	Bottom Stay Nut	2
17	C222 2072	Bottom Stay	1
18	C218 3131	Slide Rail Left Bracket	1
19	C218 3127	Slide Rtail Right Bracket	1
20	C209 2006	Spacer	2
21	C222 2002	Right Side Plate	1
22	C219 2150	Rear Right Grip	1
23	C218 3135	Spacer Cushion	1
24	C218 3134	Scanner Base Cushion 2	2
25	C218 3133	Scanner Base Cushion 1	2
26	C218 3125	Scanner Open Actuator	2
27	C222 3136	Scanner Rail Stopper	1
28	C218 3138	Stopper Seal	1
29	C218 3130	Slide Rail Seal	1
30	C219 2152	Rear Cover Bracket	1
31	C223 2085	Paper Table Lower Cover	1
32	C222 2095	Bottom Cover - Delivery Table	1
33	C222 2089	Side Plate Bracket	2

Index No.	Part No.	Description	Q'ty Per Assembly
34	C222 2092	Seal	2
35	C219 2112	Harness Satay	1
100	0314 0060Z	Philips Pan Head Screw - M4x6	
101	0314 0080Z	Philips Screw - 4x8	
102	0434 0080Z	Tapping Screw - M4x8	
103	0595 0120E	Socket Screw - M5X12	
104	0315 0120Z	Philips Screw - 5x12	
105	0805 6009	Rubber Foot	
106	0951 5035Z	Philips Screw W/t Flat Washer-M3x35	
107	0801 1004	Screw - M4X4	
108	0324 0060Z	Philips Sunken Head Screw - M4x6	
109	0951 3006Z	Philips Screw With Flat Washer - M3x6	
110	1105 0209	Clamp	

4. FRAME SECTION 2 (C223)

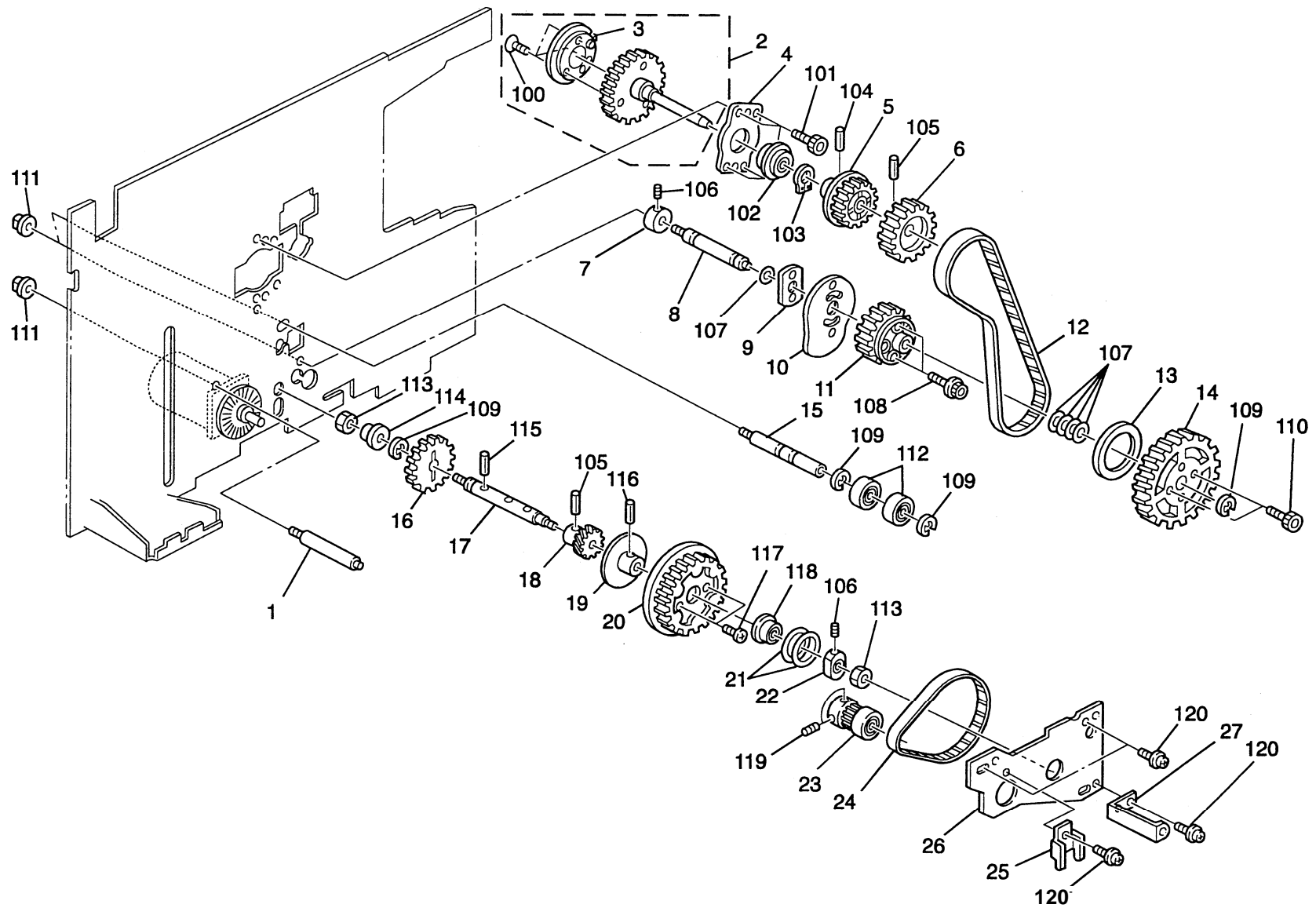


4. FRAME SECTION 2 (C223)

Index No.	pan No.	Description	Q'ty Per Assembly'
1	C219 4505	Drum Stopper Ass'y	1
2	C201 4533	Drum Stopper Spring	1
3	C201 4531	Drum Stopper Pawl	1
4	C201 4532	Drum Stopper Roller	1
5	C219 4506	Stopper Base	1
6	C2014604	Drum Rail Roller	2
7	C2232052	Left Fixing Bracket	1
8	C2182024	Flat Cable Cover	1
9	C2183039	Flat Cable Clamp	2
10	C2004520	Lock Pin-Drum	2
11	C2154514	Drum Lock Knob	1
12	C2098117	Drum Master Detection Sensor	1
13	C2094519	Drum Sensor Bracket	1
14	C2154511	Drum Lock Lever	1
15	C2232036	Scanner Stopper Bracket	1
16	C2232037	Cushion1	1
17	C2184502	Drum Rail Stay	1
18	C2184528	Plate Spring - Drum Rail	1
19	55014719	Rubber Ring-Stopper	1
20	C2003716	Cushion Shaft	1
21	C2094190	Stud	2
22	C2232038	Cushion2	1
23	C2092110	Drive Support Shaft	1
24	C2192428	Switch Plate-Paper Feed Table	1
25	54032048	Bushing-4mm	1
26	C2238295	Safety Switch Relay Harness	1
27	C2238294	Safety Switch	1
28	U063016	Pressure Spring	1
29	C2222429	Support Cover-Paper Feed Cover	1
30	C2092056	Right Fixing Plate	1
31	C2232039	Stopper Bracket	2
32	C2232040	StopperSeall	2
33	C2154533	Spring Plate	1
34	c2154532	Locking Arm	1
35	c2102186	Right Cover Bracket	1

Index No.	Part No.	Description	Q'ty Per Assembly
36	C2232041	StopperSea12	1
37	C2232043	Stopper Seal	2
38	C2232029	Scanner Stopper Unit	1
39	C2232042	StopperSea13	1
40	C2154515	Drum Lock Link	1
41	C2188181	Transformer- I15V	1
41	C2168155	Transformer-235V/I 05V	1
42	C2162018	Transformer Bracket	1
43	C2182099	Transformer Cover	1
44	C2192441	Upper Harness Cover	1
45	C2192440	Lower HarnessCover	1
46	C2034511	Spring Plate Supporter	1
47	C2034512	Grounding Spring Plate	1
48	C2102091	Harness Cover	1
100	09513006Z	Philips Screw With FlatWasher-M3	
101	03230060Z	PhilipsSunkScrew -M3x6	
102	02520080Z	Philips Pan Head Screw -M2x8	
103	06220250E	Spring Pin M2x250	
104	04340100Z	Pan HeadSelf-tapping Screw- M4x10	
105	04340080Z	Tapping Screw- M4x8	
106	07200050Z	Retaining Ring - M5	
107	03140080Z	Philips Screw - 4x8	
108	03140060Z	Philips Pan Head Screw - M4x6	
109	07130050B	Hexagon Nut - M5	
110	03130120Z	Philips Screw - 3x12	
111	08073083	w asher	
112	05940080E	Bolt - M4x8	
113	09604005Z	Philips Flange Screw - M4x5	
114	11050009	Nylon Clip - 5N	

5. DRIVE SECTION 1 (C223)

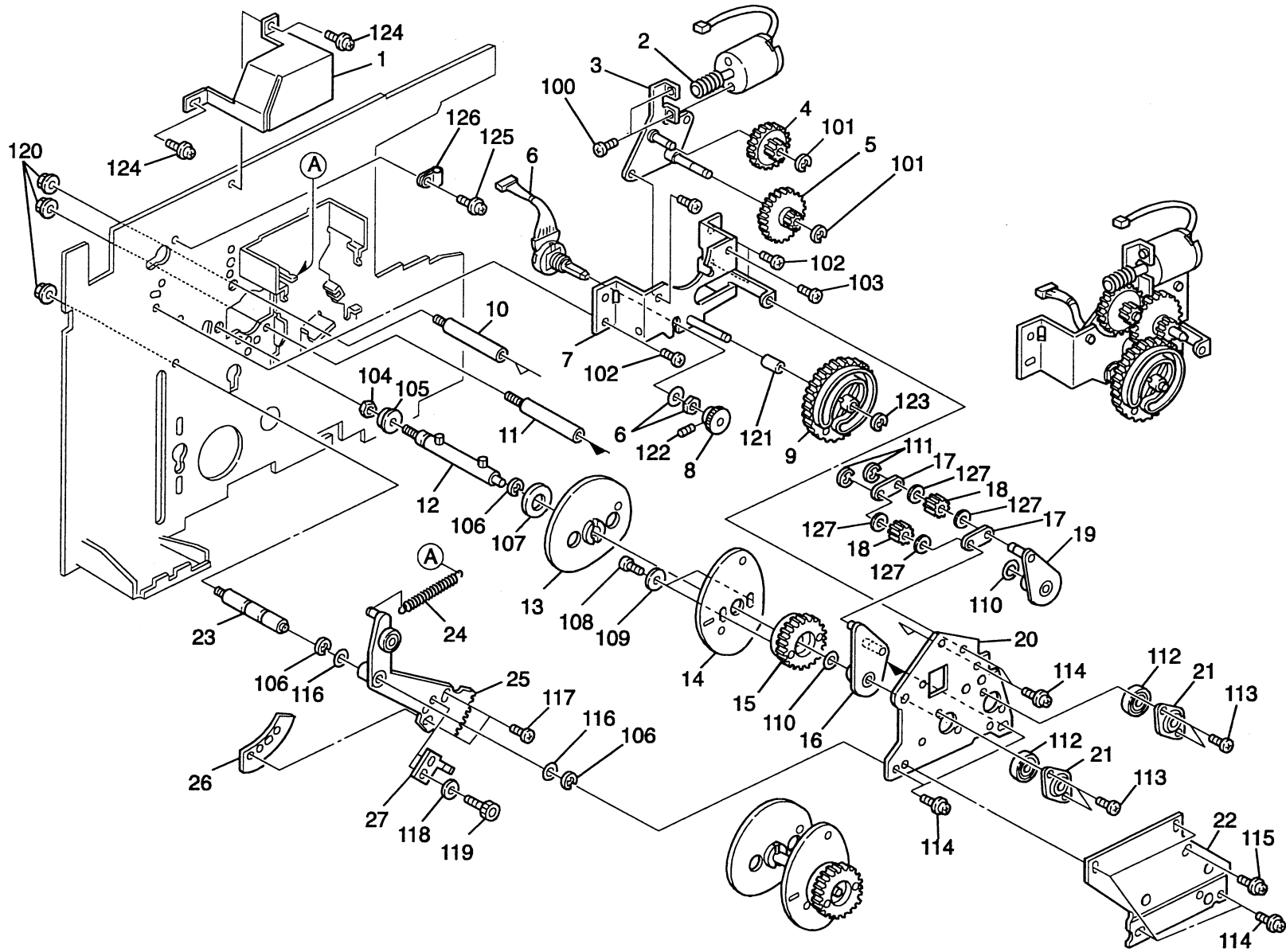


5. DRIVE SECTION 1 (C223)

Index No.	Part No.	Description	Q'ty Per Assembly
1	C200 2232	Drive Shaft	1
2	C209 2218	Drum Drive Gear/pulley	1
3	C209 2220	Support Gear - 30Z	1
4	C200 2248	Fixing Plate	1
5	C203 2317	Pulley - 26Z	1
6	C223 2217	Gear - 50Z	1
7	C200 2221	Collar - Pressure Cam Shaft	1
8	C200 2225	Pressure Cam Shaft	1
9	C200 2224	Plate Nut - Print Pressure Cam	1
10	C223 5560	Pressure Roller Cam - DLT	1
11	C203 2312	Pulley	1
12	C203 2316	Timing Belt	1
13	C203 2327	Pulley Flange	1
14	C203 2326	Gear - 90Z	1
15	C219 2315	Tension Shaft	1
16	C209 2214	Gear - 40Z	1
17	C209 2216	Driver Shaft	1
18	C203 2215	Gear - 18T	1
19	C203 2311	Gear Flange	1
20	C207 2209	Pulley - 60Z	1
21	C200 2267	Spacer	2
22	C219 2217	Collar	1
23	C209 2207	Pulley - 12Z	1
24	C207 2210	Timing Belt - 100S4.5M297	1
25	C207 2211	Bearing Stopper	1
26	C223 2309	Support Plate	1
27	C209 2308	Support Bracket - Rear Cover	1

Index No.	Part No.	Description	Q'ty Per Assembly
100	0323 0060Z	Philips Sunk Screw - M3x6	
101	0594 0080E	Bolt - M4x8	
102	0805 3134	Ball Bearing - 10x26x8mm	
103	0725 0100Z	Retaining Ring - M10	
104	0804 4048	Spring Pin - 4x20	
105	0804 4046	Spring Pin - 4x16	
106	0574 0040E	Hexagon Headless Set Screw - M4x4	
107	0807 7013	Spacer - 10.2 X 14 X 0.2 mm	
108	0804 6092	Hexagonal Set Screw	
109	0720 0080Z	Retaining Ring - M8	
110	0595 0120E	Socket Screw - M5X12	
111	0713 0050B	Hexagon Nut - M5	
112	0740 3010	Ball Bearing - 10x26x8mm	
113	0712 0060Z	Hexagon Nut - M6	
114	0741 3807S	Ball Bearing - 7x14x5	
115	0623 0200E	Spring Pin - 3x20mm	
116	0623 0140E	Spring Pin - 3x14mm	
117	0315 0060Z	Philips Screw - 5x6	
118	0741 3908S	Ball Bearing - 8x19x6	
119	0574 0050E	Hexagon Headless Set Screw - M4x5	
120	0960 4008Z	Flange Head Screw - 4 X 8	

6. DRIVE SECTION 2 (C223)

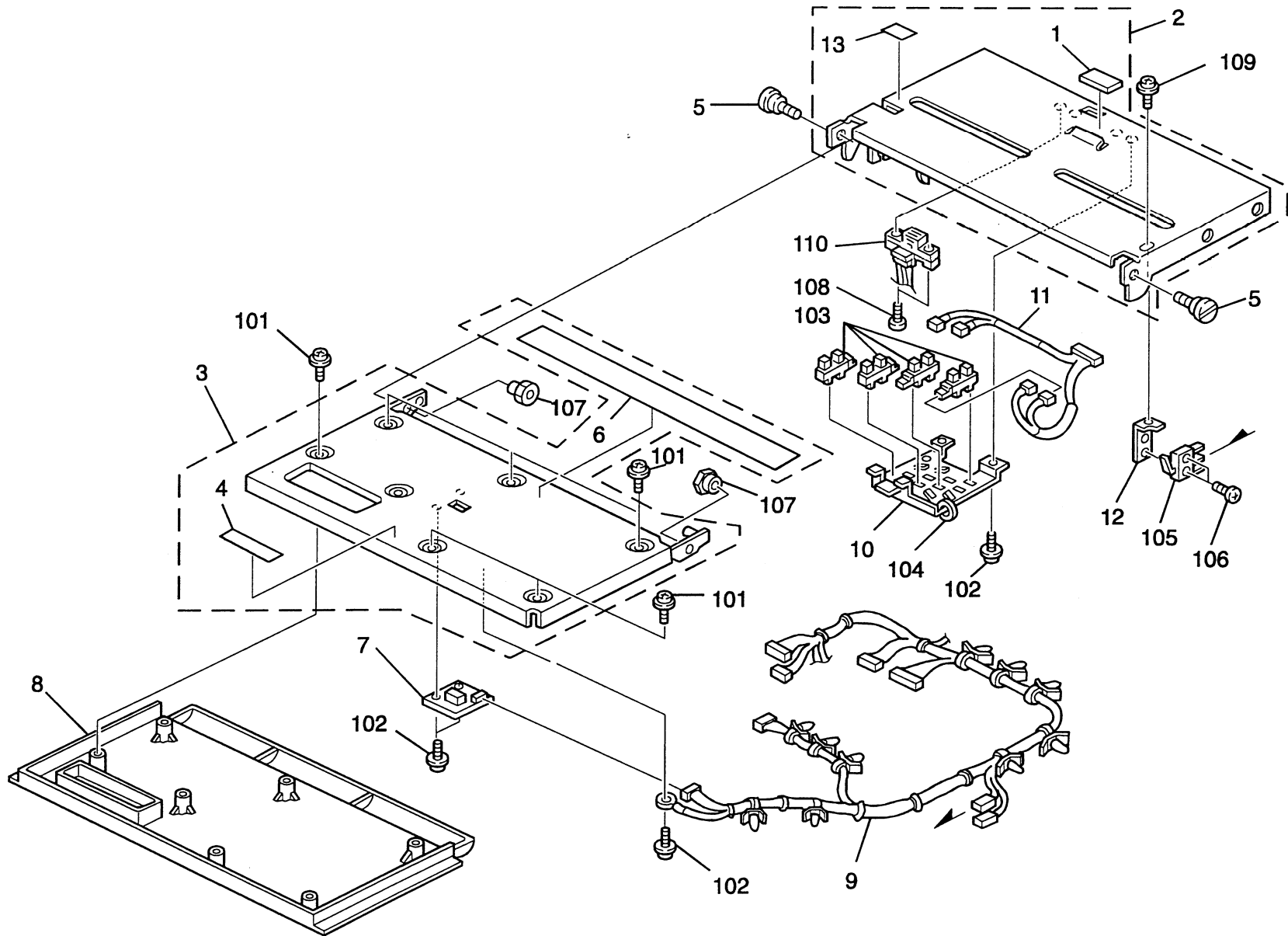


6. DRIVE SECTION 2 (C223)

Index No.	Part No.	Description	Q'ty Per Assembly
1	C218 2047	Lift Moter Cover	1
2	C219 8250	Lift Motor - DC 1.69W 0.2A	1
3	C209 2325	Motor Bracket	1
4	5205 2681	Coupled Gear - 17T/50T	1
5	5205 2680	Coupled Gear - 16T/53T	1
6	C209 8280	Image Position Sensor	1
7	C209 2321	Bracket - Image Shifting	1
8	C201 2221	Gear - 40T	1
9	C201 2222	Coupled Gear - 20T & 60T	1
10	C201 2211	Stud	1
11	C219 5120	Feed Cam Shaft	1
12	C203 5170	Feed Cam Shaft	1
13	C213 5110	Paper Feed Cam	1
14	C223 5120	Feed Cam - DLT	1
15	C223 2229	Feed Cam Gear	1
16	C200 2302	Image Shifting Arm - Large	1
17	C200 2311	Image Shifting Link	2
18	C219 2226	Gear - 22Z	2
19	C200 2308	Image Shifting Arm - Small	1
20	C209 2304	Support Side Plate	1
21	C200 2266	Bearing Holder	2
22	C203 2318	Reinforcement Plate	1
23	C219 2075	Feed Gear Stopper Shaft	1
24	C200 5222	Sector Spring	1
25	C203 5184	Sector Gear	1
26	C200 5223	Lift Cam	1
27	C219 5106	Sector Gear Stopper	1

Index No.	Part No.	Description	Q'ty Per Assembly
100	0313 0040B	Philips Pan Head Screw - M3x4	
101	0720 0040Z	Retaining Ring - M4	
102	0434 0080Z	Tapping Screw - M4x8	
103	0314 0080Z	Philips Screw - 4x8	
104	0712 0060Z	Hexagon Nut - M6	
105	0741 3807S	Ball Bearing - 7x14x5	
106	0720 0080Z	Retaining Ring - M8	
107	0807 7055	Holder - Main Shaft	
108	0585 0100Z	Bolt - M5x10	
109	0701 0050Z	Flat Washer - M5	
110	0807 7013	Spacer - 10.2 X 14 X 0.2 mm	
111	0720 0080Z	Retaining Ring - M8	
112	0805 3104	Ball Bearing - 8x22x7mm	
113	0801 1135	Philips Pan Head Screw - M3x3	
114	0960 4008Z	Flange Head Screw - 4 X 8	
115	0960 5008Z	Philips Flange Screw - M5x8	
116	0807 7018	Washer - M10	
117	0315 0080Z	Philips Screw - 5x8	
118	0701 0040Z	Flat Washer - M4	
119	0594 0060E	Socket Screw - 4X6	
120	0713 0050B	Hexagon Nut - M5	
121	0707 6120B	Bushing - 6x12mm	
122	0573 0050E	Hexagon Headless Set Screw - M3x5	
123	0720 0050Z	Retaining Ring - M5	
124	0314 0060Z	Philips Pan Head Screw - M4x6	
125	0951 4006Z	Philips Screw With Flat Washer - M4	
126	1105 0005	Nylon Clip - 3n	
127	0807 7013	Spacer - 10.2 X 14 X 0.2 mm	

7. PAPER TABLE SECTION 1 (C223)

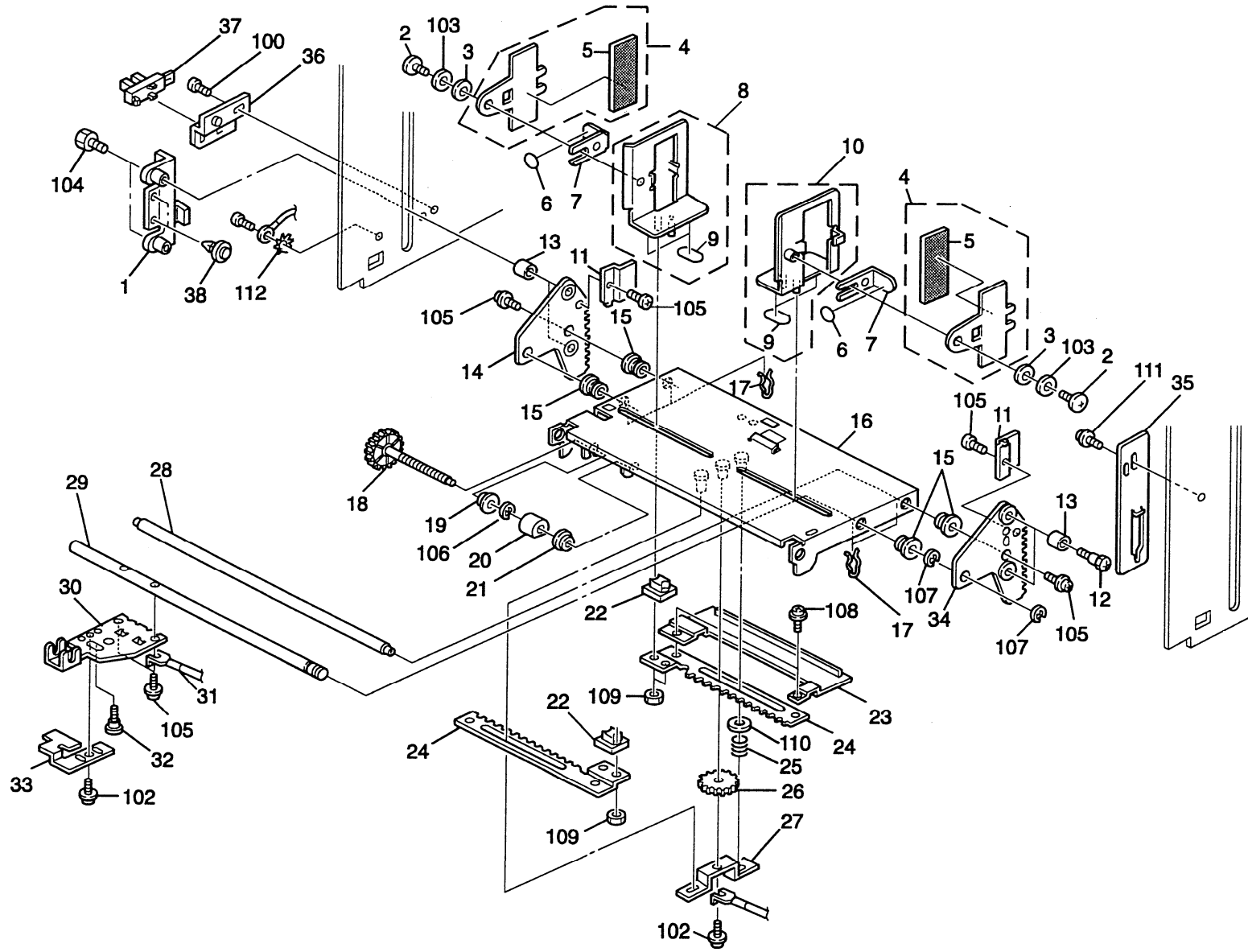


7. PAPER TABLE SECTION 1 (C223)

Index No.	Part No.	Description	Q'ty Per Assembly
1	5507 6828	Rubber Plate - Feed Table	1
2	C209 4640	Paper Table Ass'y	1
3	C219 5066	Paper Feed Table Ass'y - LT	1
3	C219 5067	Paper Feed Table Ass'y - A4	1
4	C200 5025	Paper Feed Plate Shield	1
5	C219 5073	Stepped Screw	2
6	C210 2805	Decal - Paper Size (LT)	1
6	C210 2806	Decal - Paper Size (A4)	1
7	C219 8021	Paper Detection Board	1
8	C218 2423	Paper Feed Table Cover	1
9	C219 8113	Harness - Paper Detection Board	1
10	C209 5055	Bracket - Paper Size	1
11	C209 8197	Paper Size Sensor Harness	1
12	C209 5047	Switch Bracket - Paper Table	1
13	C223 2453	Decal - Paper Level	1

Index No.	Part No.	Description	Q'ty Per Assembly
101	0965 3010W	Tapping Screw With Flat Washer-M3x1	
102	0951 3005Z	Philips Pan Head Screw - M3 X 5	
103	1403 0690	Sensor - TLP1215	
104	1105 0042	Wire Band	
105	1204 2239	Micro Switch	
106	0800 0084	Philips Pan Head Screw - M2.3x12	
107	0713 0050B	Hexagon Nut - M5	
108	0313 0100Z	Philips Pan Head Screw - M3x10	
109	0951 3004Z	Philips Screw With Flat Washer-M3x4	
110	1403 0456	Photosensor - EE-SB5-C3	

8. PAPER TABLE SECTION 2 (C223)

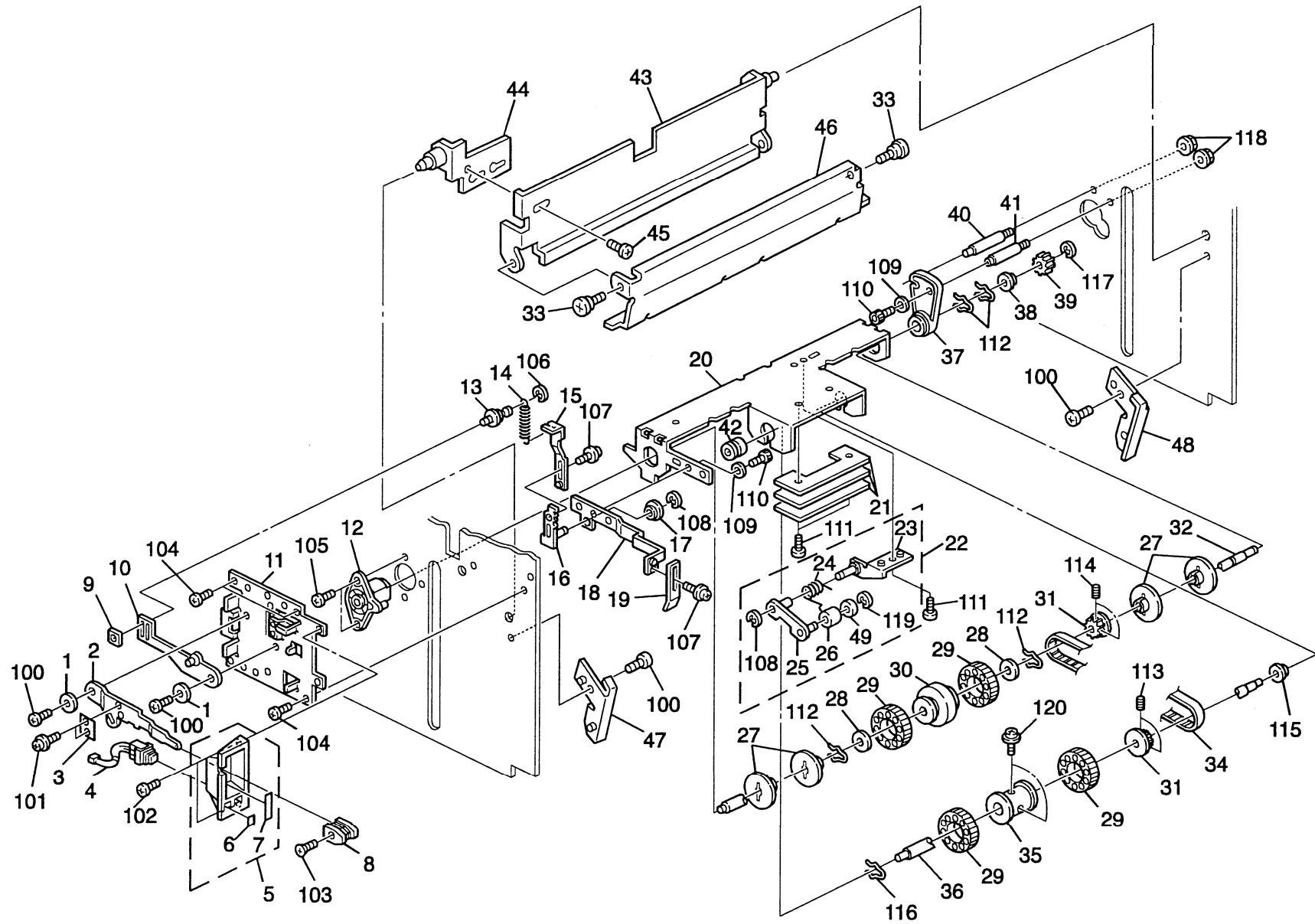


8. PAPER TABLE SECTION 2 (C223)

Index No.	Part No.	Description	Q'ty Per Assembly
1	C223 5073	Paper Table Fixing Bracket	1
2	5506 1536	Screw - M4X6	2
3	5070 0923	Spring Washer - Rotating Table	2
4	C209 5090	Rubber Plate - Paper Feed Guide	2
5	C200 5287	Rubber Plat - Paper Feed	2
6	C201 5015	Seal - M10	2
7	C209 5092	Rubber Plate Lever	2
8	C223 5082	Left Side Plate	1
9	5506 6314	Mylar - Master Feed Table	2
10	C223 5085	Right Side Plate	1
11	C203 5131	Gear Cover	2
12	C203 5142	Rack Shaft	2
13	5606 2310	Roller	4
14	C223 5128	Left Rack - Paper Feed	1
15	C203 5121	Bushing - 8x12x9mm	4
16	C219 5076	Paper Table	1
17	5600 1107	Snap Retainer - 12	2
18	C218 5054	Table Position Knob	1
19	C203 5113	Bushing - 6x9x3mm	1
20	C203 5116	Washer - 6x13x12mm	1
21	C203 5114	Bushing - 3x6x3mm	1
22	C223 5336	Paper Feed Slider	2
23	C209 5058	Psper Size Plate	1
24	C223 5050	Paper Guide Rack	2
25	5505 7197	Spring - Hinge - Inking	1
26	5309 1023	Pinion Paper Feed Table	1
27	C219 5079	Supporter	1
28	C200 5042	Rear Shaft - Paper Feed	1
29	C223 5123	Front Shaft - Paper Feed	1
30	C223 5055	Paper Table Arm	1
31	C209 8197	Paper Size Sensor Harness	1
32	C223 5124	Stepped Screw - M8.2	1
33	C222 5121	Position Indicator	1
34	C203 5126	Right Rack - Paper Feed	1
35	C209 5235	Paper Table Holder	1

Index No.	Part No.	Description	Q'ty Per Assembly
36	C219 5081	Sensor Bracket	1
37	AW02 0021	Photointerruptor - 175487-3	1
38	C222 3175	Scanner Slider	2
100	0314 0120Z	Philips Screw - 4x12	
102	0314 0080Z	Philips Screw - 4x8	
103	0701 0080Z	Flat Washer - M8	
104	0585 0161B	Hexagon Bolt - M5x16	
105	0951 4008Z	Philips Screw With Flat Washer M4x8	
106	0720 0040Z	Retaining Ring - M4	
107	0720 0060Z	Retaining Ring - M6	
108	0951 3006Z	Philips Screw With Flat Washer - M3	
109	0710 0040Z	Hex Nut 4	
110	0700 0060Z	Flat Washer - M6	
111	0951 3008Z	Philips Screw With Flat Washer - M3	
112	0705 0040B	Toothed Washer	

9. PAPER FEED ROLLER AND SEPARATION ROLLER(C223)



9. PAPER FEED ROLLER AND SEPARATION ROLLER(C223)

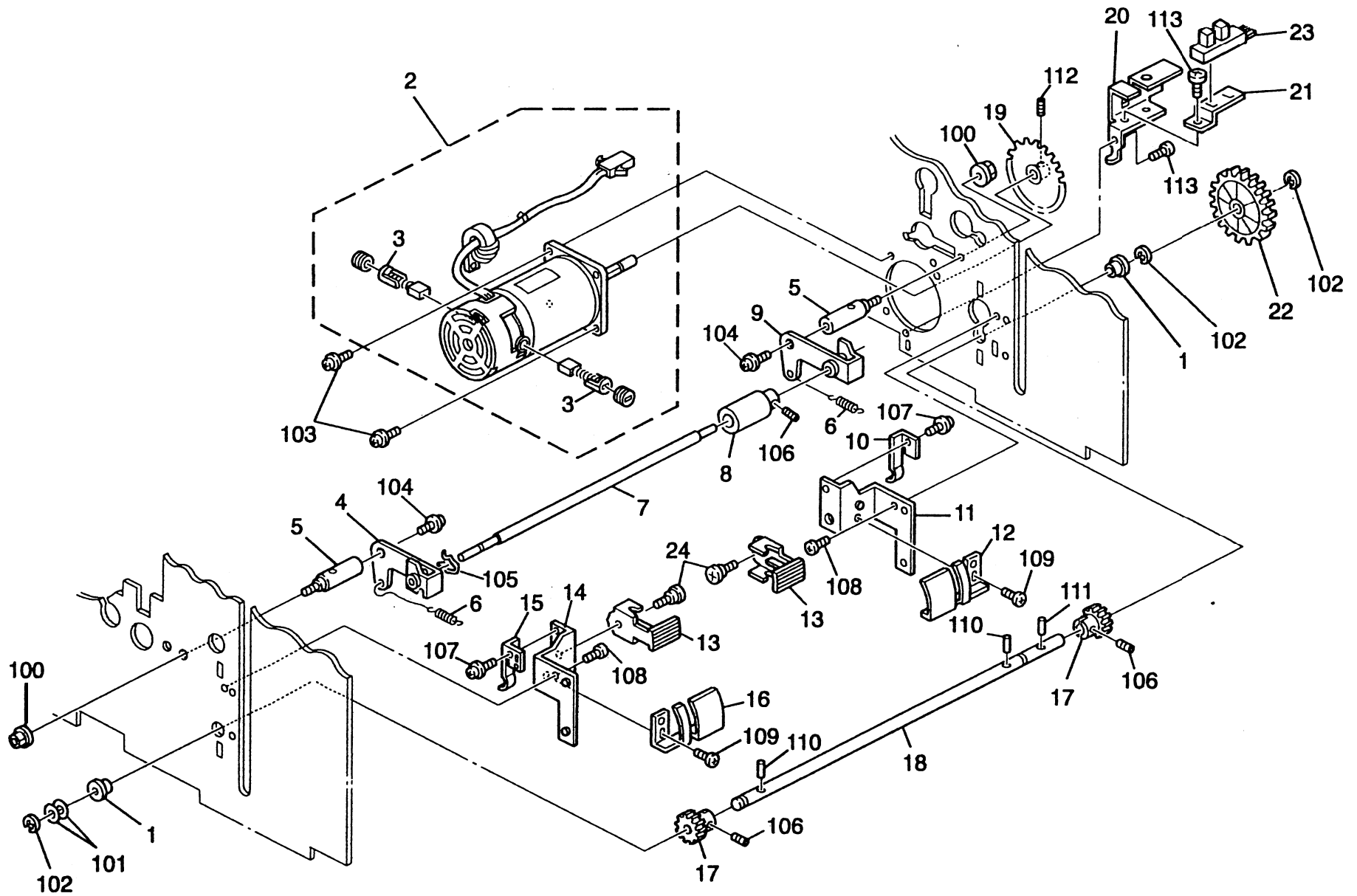
Index No.	Part No.	Description	Q'ty Per Assembly
1	C209 5220	Spacer - 4x20x6	2
2	C203 5007	Paper Feed Lever	1
3	5501 8180	Flat Spring - Feed Roller Pressure	1
4	C209 8288	Table Down Switch	1
5	C218 2833	Lower Cover - Paper Feed (A4)	1
5	C218 2804	Lever Cover - Paper Feed - LT	1
6	C218 2841	Decal - Paper Table Down (A4)	1
6	C218 2819	Decal - Paper Table Down (LT)	1
7	C218 2818	Decal - Paper Feed Pressure - LT	1
8	C201 2425	Adjusting Lever	1
9	5506 4235	Plate Nut - Paper Pressure	1
10	C203 5013	Lever Supporter	1
11	C209 2027	Lever Bracket - Paper Feed	1
12	C203 5045	Bushing - 18x24x28mm	1
13	C209 5080	Stepped Screw	1
14	C203 5020	Spring - Feed Roller Pressure	1
15	C209 5081	Spring Link	1
16	C203 5027	Adjusting Plate	1
17	C203 5113	Bushing - 6x9x3mm	1
18	C209 5035	Arm - Feed Roller Holder	1
19	C203 5055	Actuator - Paper Feed Table	1
20	C209 5225	Feed Roller Holder	1
21	C201 5073	Arm Balancer - Feed Roller	3
22	C203 5205	Belt Tensioner Ass'y	1
23	C203 5208	Tension Bracket	1
24	C203 5215	Tension Spring	1
25	C203 5201	Tension Arm	1
26	C203 5200	Tension Roller	1
27	5606 2066	Paper Feed Guide Disc	4
28	5600 1086	Spacer - 10.2 X 20	2
29	5506 4169	Rubber Roller - Paper Feed	4
30	C207 5023	Separator Roller Ass'y	1
31	5507 6032	Timing Belt Pulley - 30T	2
32	C207 5020	Upper Roller Shaft	1
33	5206 2684	Shoulder Screw - M3	2

Index No.	Part No.	Description	Q'ty Per Assembly
34	5507 6035	Timing Belt - 162XL	1
35	C219 5033	Paper Feed Roller	1
36	C219 5026	Pick-up Roller Shaft	1
37	C203 5046	Bushing - 14x20x9mm	1
38	5053 0419	Bushing - 10mm	1
39	C203 5220	Gear - 18T	1
40	C203 5050	Rear Bushing Stud	1
41	C203 5049	Front Bushing Stud	1
42	5600 1081	Right Bushing - Paper Feed Roller	1
43	C223 5350	Upper Paper Guide	1
44	C223 5355	Paper Guide Slider	1
45	C218 3051	Philips Screw - M3	1
46	C223 5360	Lower Paper Guide	1
47	C223 5365	Left Guide Plate	1
48	C223 5366	Right Guide Plate	1
49	C203 5225	Spacer - Tension - Paper Feed	1

Index No.	Part No.	Description	Q'ty Per Assembly
100	0314 0100Z	Philips Screw - 4x10	
101	0951 3006Z	Philips Screw With Flat Washer - M3	
102	0801 1004	Screw - M4X4	
103	0323 0100Z	Philips Sunken Head Screw - M3x10	
104	0434 0080Z	Tapping Screw - M4x8	
105	0314 0080Z	Philips Screw - 4x8	
106	0720 0040Z	Retaining Ring - M4	
107	0951 3005Z	Philips Pan Head Screw - M3 X 5	
108	0720 0040Z	Retaining Ring - M4	
109	0701 0040Z	Flat Washer - M4	
110	0594 0080E	Bolt - M4x8	
111	0314 0060Z	Philips Pan Head Screw - M4x6	
112	0804 4055	Pin	
113	0574 0040E	Hexagon Headless Set Screw - M4x4	
115	0805 3263	Bearing - 6 X 10 X 6mm	
116	5600 1107	Snap Retainer - 12	
117	0720 0050Z	Retaining Ring - M5	
118	0713 0040B	Hexagon Nut - M4	
119	0720 0060Z	Retaining Ring - M6	
120	0951 4010Z	Philips Screw With Flat Washer M4 X	

Index No.	Part No.	Description	Q'ty Per Assembly

10. PAPER SEPARATION ROLLER (C223)

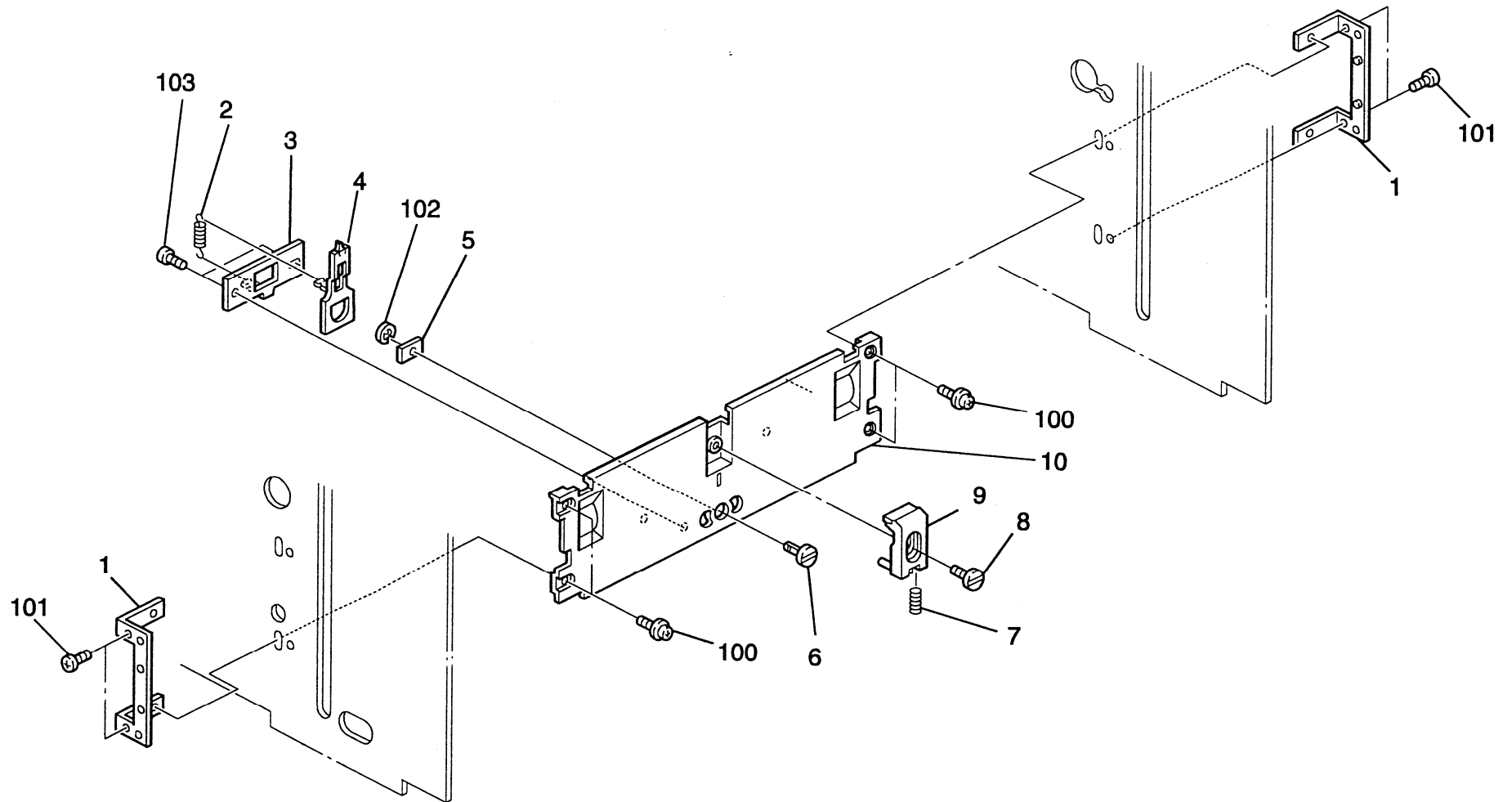


10. PAPER SEPARATION ROLLER (C223)

Index No.	Part No.	Description	Q'ty Per Assembly
1	C203 5135	Bushing - 10x14x5.9	2
2	C218 8200	Main Motor - DC90V 108W	1
3	C209 8202	Commutation Brush	2
4	C203 5062	Left Arm - Separation	1
5	C201 5090	Separation Roller Pressure Stud	2
6	C223 5030	Lower Spring	2
7	C222 5020	Separation Roller Shaft	1
8	C223 5015	Lower Reverse Roller	1
9	C203 5066	Right Arm - Separation	1
10	C209 5208	Spring Plate - Right Lever	1
11	C209 5206	Right Lever Bracket	1
12	C209 5211	Right Lever Cover	1
13	C209 5209	Separation Pressure Lever	2
14	C209 5205	Left Lever Bracket	1
15	C209 5207	Spring Plate - Left Lever	1
16	C209 5210	Left Lever Cover	1
17	C201 5051	Pinion - 24T	1
18	C223 5133	Paper Lift Shaft	1
19	C203 2309	Pulse Disk	1
20	C219 2205	Bracket - Drum Rotation Sensor	1
21	C219 2306	Drum Sensor Bracket	1
22	C223 5096	Lift Gear	1
23	AW02 0021	Photointerruptor - 175487-3	1
24	5403 2075	Stepped Screw	2

Index No.	Part No.	Description	Q'ty Per Assembly
100	0713 0040B	Hexagon Nut - M4	
101	0807 7013	Spacer - 10.2 X 14 X 0.2 mm	
102	0720 0080Z	Retaining Ring - M8	
103	0960 4008Z	Flange Head Screw - 4 X 8	
104	0951 4008Z	Philips Screw With Flat Washer M4x8	
105	0804 4061	Spring Pin - M6	
106	0574 0040E	Hexagon Headless Set Screw - M4x4	
107	0951 3005Z	Philips Pan Head Screw - M3 X 5	
108	0801 1004	Screw - M4X4	
109	0313 0050Z	Philips Screw - 3x5	
110	0624 0160E	Spring Pin - 4x16mm	
111	0623 0200E	Spring Pin - 3x20mm	
112	0574 0050E	Hexagon Headless Set Screw - M4x5	
113	0314 0080Z	Philips Screw - 4x8	

11. PAPER DELIVERY SECTION 1 (C223)



11. PAPER DELIVERY SECTION 1 (C223)

Index No.	Part No.	Description	Q'ty Per Assembly
1	C201 5075	Guide Plate Bracket	2
2	C207 5013	Pressure Spring - Paper Feed	1
3	C207 5009	Pressure Plate Holder	1
4	C207 5008	Pressure Plate	1
5	C207 5011	Adjusting Plate	1
6	C207 5010	Adjusting Screw	1
7	C207 5012	Pressure Spring	1
8	5507 6060	Guide Screw - Front Plate	1
9	C209 5018	Separation Plate	1
10	C218 5016	Front Side Plate	1

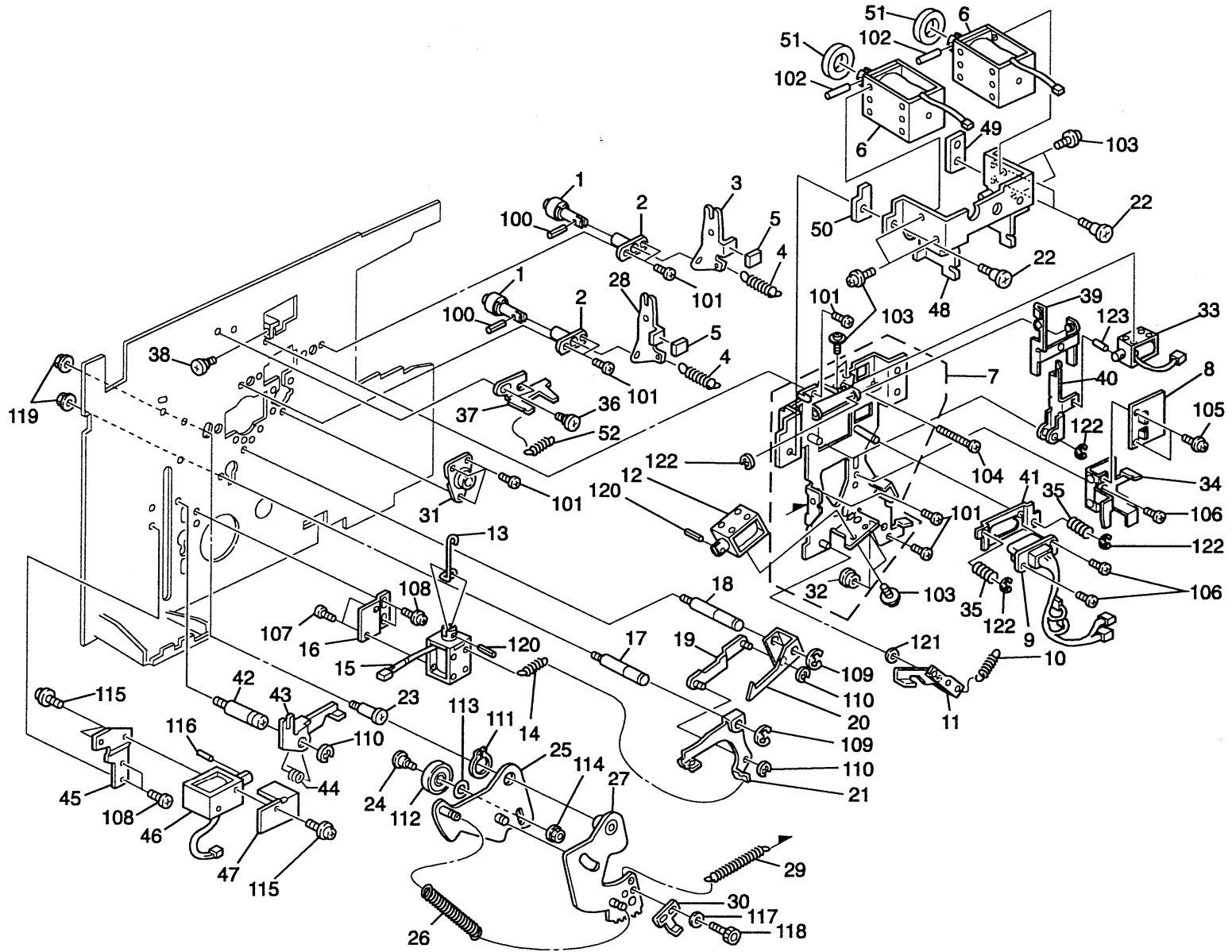
Index No.	Part No.	Description	Q'ty Per Assembly
100	0952 4008W	Philips Screw - M4x8	
101	0434 0080Z	Tapping Screw - M4x8	
102	0720 0040Z	Retaining Ring - M4	
103	0313 0050W	Philips Pan Head Screw - M3x5	

12. PAPER DELIVERY SECTION 2 (C223)

Index No.	Part No.	Description	Q'ty Per Assembly
1	C200 5153	Bushing Supporter	2
2	C201 5125	Shoulder Screw - M4	2
3	C200 5150	Bushing - 7x18x9mm	2
4	C201 5134	Bearing Holder	2
5	C209 2034	Sensor Bracket	1
6	C207 5138	Upper Feed Roller Ass'y	1
7	C200 5154	Left Spring Arm	1
8	C201 5125	Shoulder Screw - M4	2
9	C200 5340	Upper Feed Roller	2
10	C207 5148	Upper Feed Roller	3
11	5505 6528	Spring - Press Roller	2
12	C207 5123	Upper Guide Plate	1
13	C207 5125	Guide Plate Spacer	2
14	C200 5137	Left Bracket - Guide Plate	1
15	C223 5215	Lower Guide Plate	1
16	C222 5216	Rubber Plate - Guide Plate	1
17	C200 5138	Right Bracket - Guide Plate	1
18	5501 8328	Spring - Feed Roller Brake	1
19	C203 5198	Feed Roller Brake Ass'y	1
20	C209 5203	Lower 2nd Feed Roller	1
21	C200 5504	Paper Detecting Pin	2
22	C200 5503	Paper Detecting Shaft	1
23	C201 5142	Lift Arm - Feed Roller	1
24	C201 5145	Lift Arm Spring	1
25	C209 5200	Gear - 14Z	1
26	5600 1080	Bush - Paper Feed Roller - Left	1
27	C209 5515	Paper Detecting Arm	1
28	C201 5505	Height Sensor Bracket	1
29	C200 5155	Right Spring Arm	1

Index No.	Part No.	Description	Q'ty Per Assembly
100	0801 1004	Screw - M4X4	
101	0720 0050Z	Retaining Ring - M5	
102	0314 0080Z	Philips Screw - 4x8	
103	0314 0200Z	Philips Screw - 4x20	
104	0740 3010	Ball Bearing - 10x26x8mm	
105	0434 0080Z	Tapping Screw - M4x8	
106	0805 0084	Retaining Ring	
107	0951 4006Z	Philips Screw With Flat Washer - M4	
108	0313 0050Z	Philips Screw - 3x5	
109	0740 3808	Ball Bearing - 8x16x5mm	
110	0713 0040B	Hexagon Nut - M4	
111	0573 0050E	Hexagon Headless Set Screw - M3x5	
112	0804 6090	Hexagon Bolt - M4	

13. PAPER DELIVERY SECTION 3 (C223)

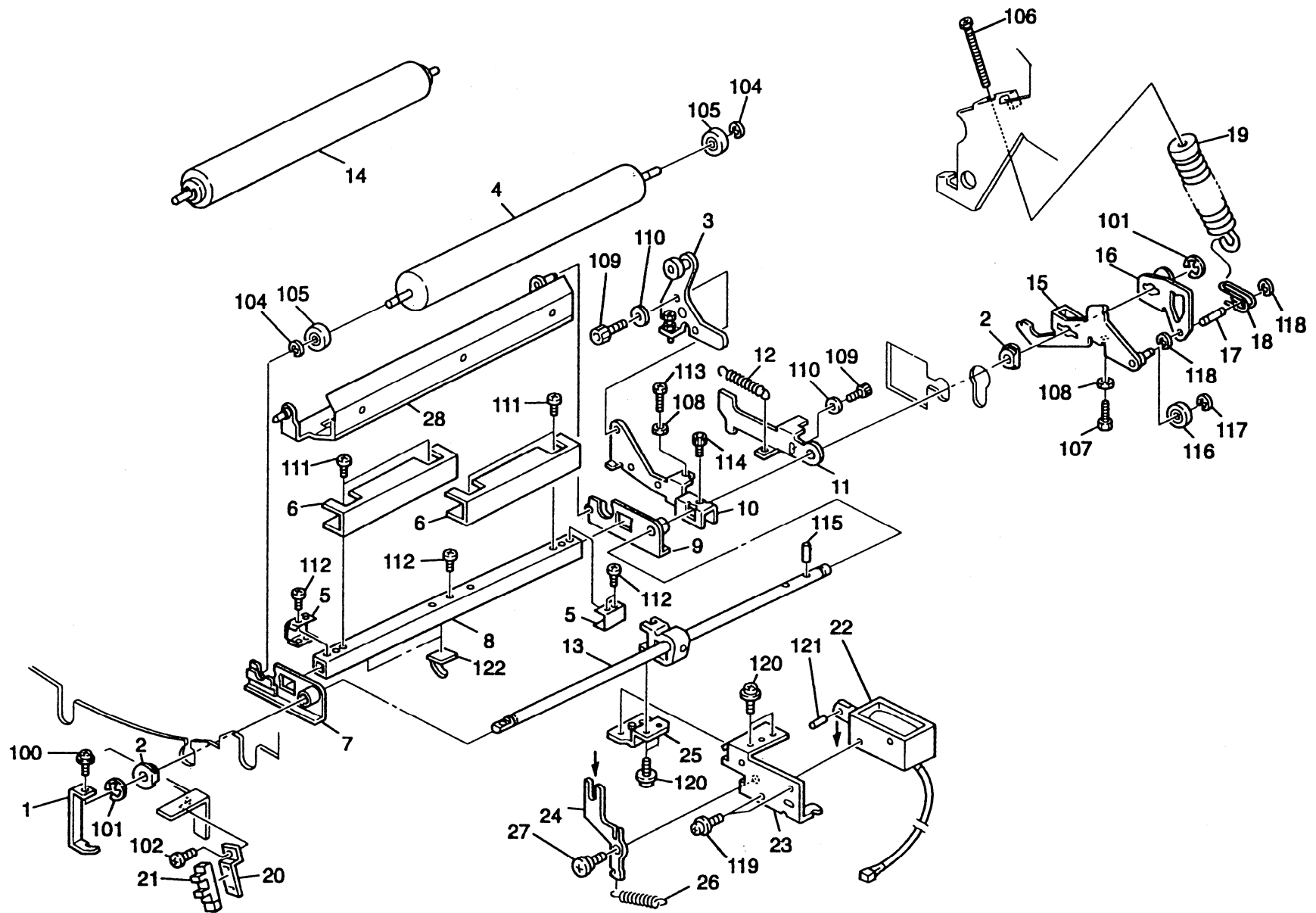


13. PAPER DELIVERY SECTION 3 (C223)

Index No.	Part No.	Description	Q'ty Per Assembly
1	C203 4515	Drum Clamper Roller	2
2	C200 4551	Slide Guide	2
3	C223 4553	Master Release Lever	1
4	C200 4561	Clamper Spring	2
5	C223 4398	Lever Cushion	2
6	C223 8224	DC Solenoid Ass'y	2
7	C223 2082	Solenoid Bracket	1
8	C215 8116	Ink Detecting Board	1
9	C223 8119	Drum Harness	1
10	5501 7559	Spring - Master Feed	1
11	C200 5565	Print Pressure Stopper	1
12	C209 8262	Release Solenoid	1
13	C200 5226	Link - Paper Feed Solenoid	1
14	C200 5235	Paper Feed Solenoid Spring	1
15	C209 8262	Release Solenoid	1
16	C200 5225	Bracket - Paper Feed Solenoid	1
17	C219 2073	Stopper Stud - Paper Feed	1
18	C219 2075	Feed Gear Stopper Shaft	1
19	C201 5101	Link	1
20	C219 5109	Feed Sector Stopper	1
21	C219 5108	Sector Stopper - Feed Roller	1
22	5403 6246	Stepped Screw - Cleaning	3
23	C219 5127	Sector Gear Shaft	1
24	C203 5194	Shoulder Screw - M4	1
25	C219 5122	Paper Feed Sector Cam	1
26	C200 5205	Paper Feed Spring	1
27	C219 5101	Sector Gear	1
28	C223 4552	Master Exit Lever	1
29	C200 5222	Sector Spring	1
30	C219 5105	Sector Gear Stopper	1
31	C209 4516	Slide Guide - Drive Shaft	1
32	C203 2083	Exit Pawl Bushing	1
33	C209 8234	Drum Lock Solenoid	1
34	C218 4536	Ink Detecting Board Bracket	1
35	C218 4539	Connector Spring	2

Index No.	Part No.	Description	Q'ty Per Assembly
36	C201 5125	Shoulder Screw - M4	2
37	C215 4538	Slid Lock Arm	1
38	5403 2075	Stepped Screw	1
39	C215 4517	Connector Lock Arm	1
40	C215 4537	Connector Lock Lever	1
41	C218 4535	Drum Connector Bracket	1
42	C222 5519	Release Lever Shaft	1
43	C222 5518	Paper Release Lever	1
44	C222 5512	Tension Spring	1
45	C222 5520	Solenoid Bracket	1
46	C222 8234	Paper Release Solenoid	1
47	C222 5525	Solenoid Cover	1
48	C223 4392	Solenoid Bracket	1
49	C223 4395	Right Cushion	1
50	C223 4396	Left Cushion	1
51	C223 4555	Cushion	2
52	C201 5080	Separation Roller Pressure Spring	1

14. PAPER DELIVERY SECTION 4 (C223)

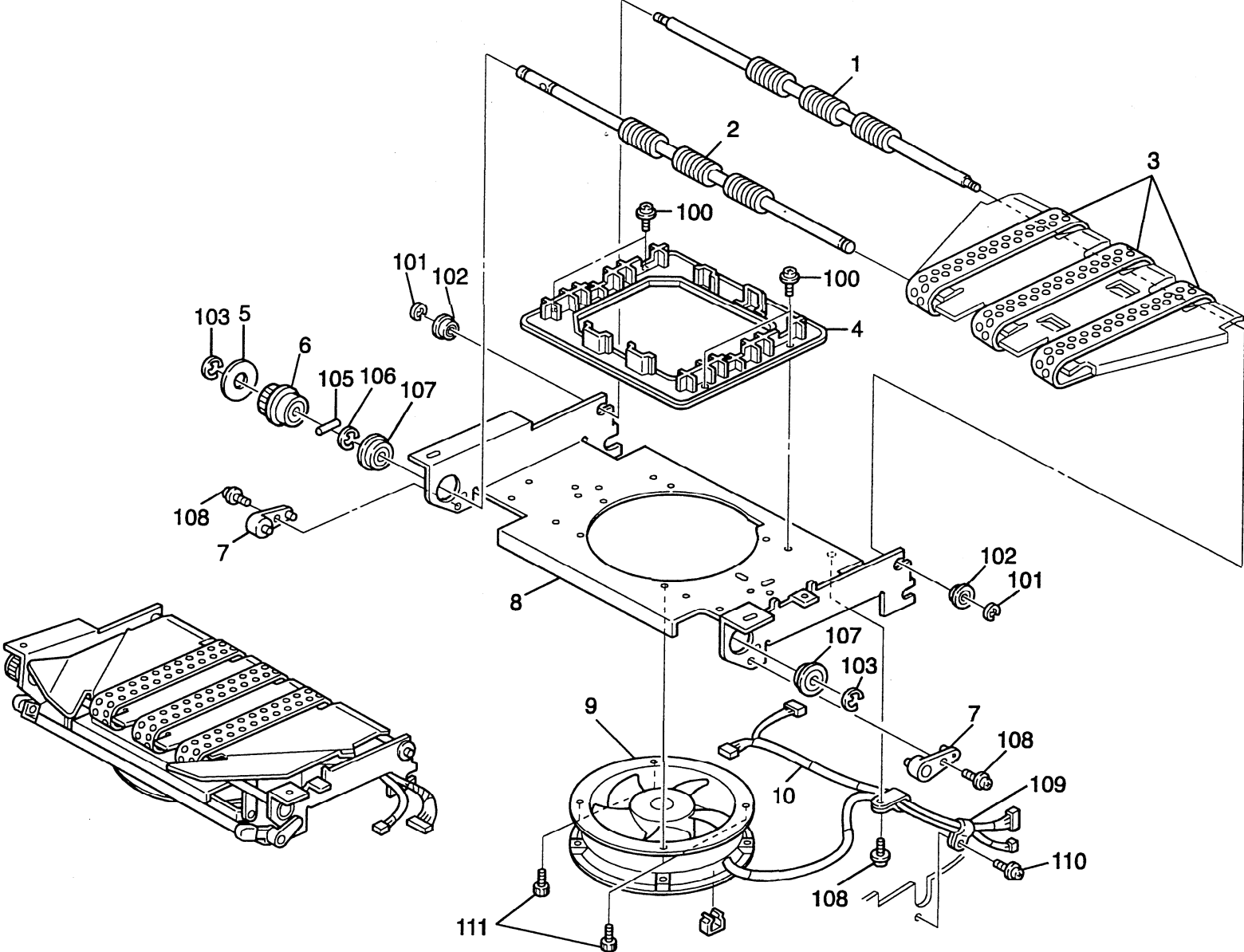


14. PAPER DELIVERY SECTION 4 (C223)


Index No.	Part No.	Description	Q'ty Per Assembly
1	C209 5507	Sensor Actuator	1
2	C200 5526	Print Pressure Bushing	2
3	C221 5573	Pressure On/off Lever	1
4	C218 5555	Transfer Roller	1
5	C223 5529	Support Stay	2
6	C223 5549	Rear Guide Plate	2
7	C223 5521	Left Pressure Arm	1
8	C223 5528	Pressure Stay	1
9	C223 5525	Right Pressure Arm	1
10	C221 5570	Adjusting Plate - Exit Pawl	1
11	C223 6004	Stripper Pawl Cam	1
12	5607 2814	Roller Spring	1
13	C223 5603	Pressure Shaft - A3	1
14	C218 5554	Press Roller Ass'y	1
15	C200 5566	Pressure On/off Lever	1
16	C200 5541	Print Pressure Arm	1
17	C209 5521	Joint Shaft	1
18	C209 5543	Press Roller Spring Link	1
19	C218 5526	Spring	1
20	C219 2306	Drum Sensor Bracket	1
21	AW02 0021	Photointerruptor - 175487-3	1
22	C222 8236	Press Roller Solenoid	1
23	C223 5574	Solenoid Bracket	1
24	C223 5573	Drive Arm	1
25	C222 5254	Solenoid Support Bracket	1
26	C222 5275	Tension Spring	1
27	AA14 3062	Shoulder Screw - M4	1
28	C223 5564	Sheet Bracket	1


Index No.	Part No.	Description	Q'ty Per Assembly
100	0951 4008Z	Philips Screw With Flat Washer M4x8	
101	0720 0120Z	Retaining Ring - M12	
102	0314 0100Z	Philips Screw - 4x10	
104	0720 0060Z	Retaining Ring - M6	
105	0740 3007	Ball Bearing - 7x19x6mm	
106	0586 0451Z	Hexagon Bolt - M6x45	
107	0584 0121Z	Hexagon Bolt - M4x12	
108	0710 0040Z	Hex Nut 4	
109	0594 0060E	Socket Screw - 4X6	
110	0701 0040Z	Flat Washer - M4	
111	0433 0080Z	Tapping Screw - M3x8	
112	0313 0060Z	Philips Pan Head Screw - M3x6	
113	0584 0101Z	Hexagon Bolt - M4x10	
114	0595 0140E	Hexagon Bolt - M5x14	
115	0804 4060	Spring Pin - M4x22	
116	0740 3206	Ball Bearing - 6x19x6	
117	0720 0040Z	Retaining Ring - M4	
118	0720 0030Z	Retaining Ring - M3	
119	0951 3004Z	Philips Screw With Flat Washer-M3x4	
120	0960 3006Z	Philips Flange Screw - M3x6	
121	0623 0100E	Spring Pin - 3x10mm	
122	1105 0021	Cord Clamper	

15. DELIVERY TABLE 1 (C223)

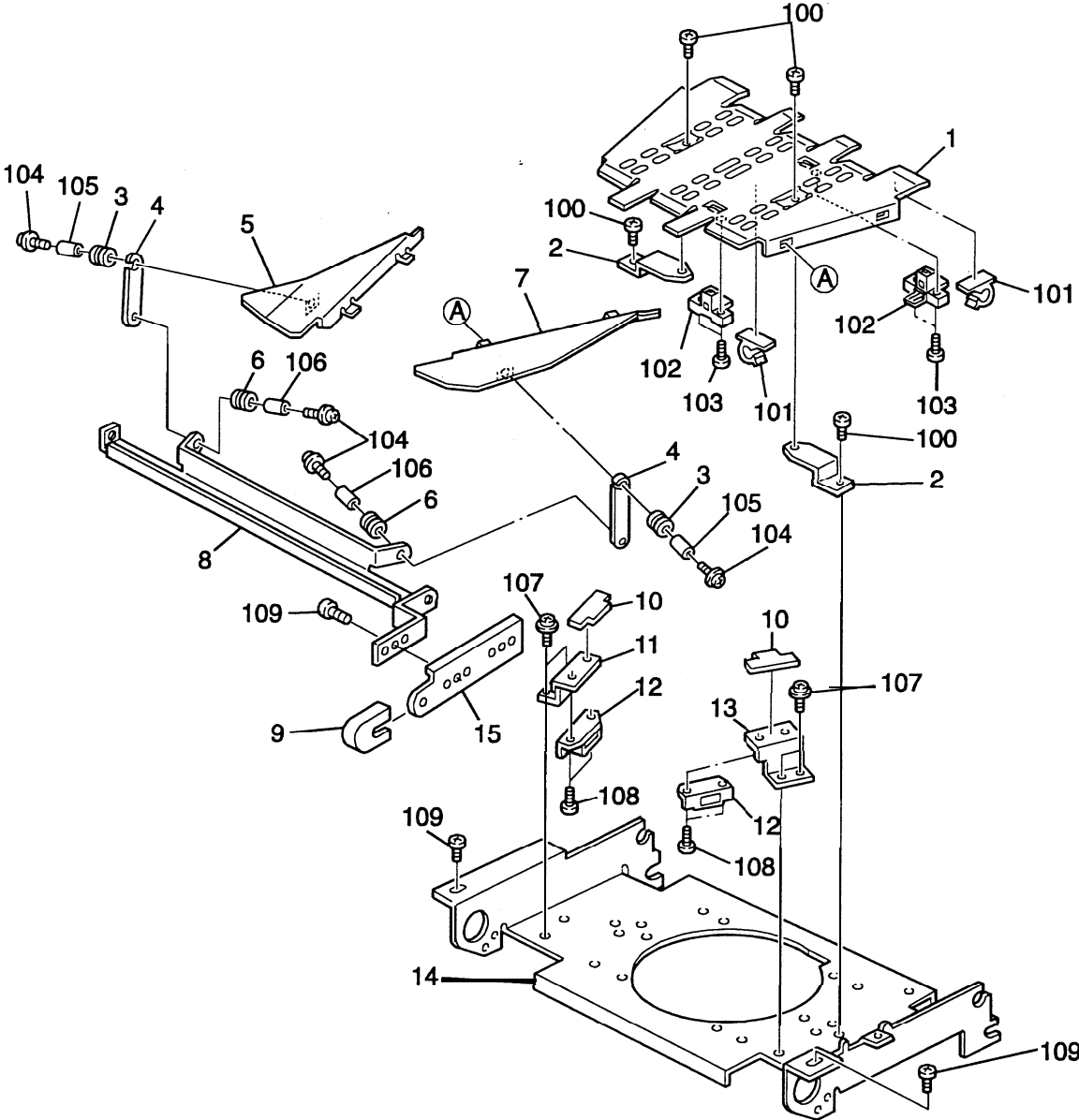


15. DELIVERY TABLE 1 (C223)

Index No.	Part No.	Description	Q'ty Per Assembly
 1	C209 6019	Idler Roller - Transport Belt	1
2	C209 6009	Drive Roller - Transport Belt	1
3	C209 6016	Transport Belt	3
4	C209 6017	Vacuum Duct	1
5	C203 6065	Pulley Flange	1
6	C219 6080	Adjusting Lever Shaft	1
7	C209 6052	Drive Roller Arm	2
8	C221 6002	Vacuum Base	1
9	C209 8204	Vacuum Fan Motor	1
10	C209 8107	Brower Moter Harness	1

Index No.	Part No.	Description	Q'ty Per Assembly
100	0951 4008Z	Philips Screw With Flat Washer M4x8	
101	0720 0040Z	Retaining Ring - M4	
102	0741 3506	Ball Bearing - 6x12x4 Mm	
103	0720 0080Z	Retaining Ring - M8	
105	0623 0160E	Spring Pin - 3x16mm	
106	0720 0080E	Retaining Ring - M8	
107	0805 3452	Ball Bearing - 10x22x6mm	
108	0951 4008Z	Philips Screw With Flat Washer M4x8	
109	1105 0016	Nylon Clip - 4n	
110	0960 4008Z	Flange Head Screw - 4 X 8	
111	0594 0120E	Hexagon Bolt - M4x12	
			

16. DELIVERY TABLE 2 (C223)

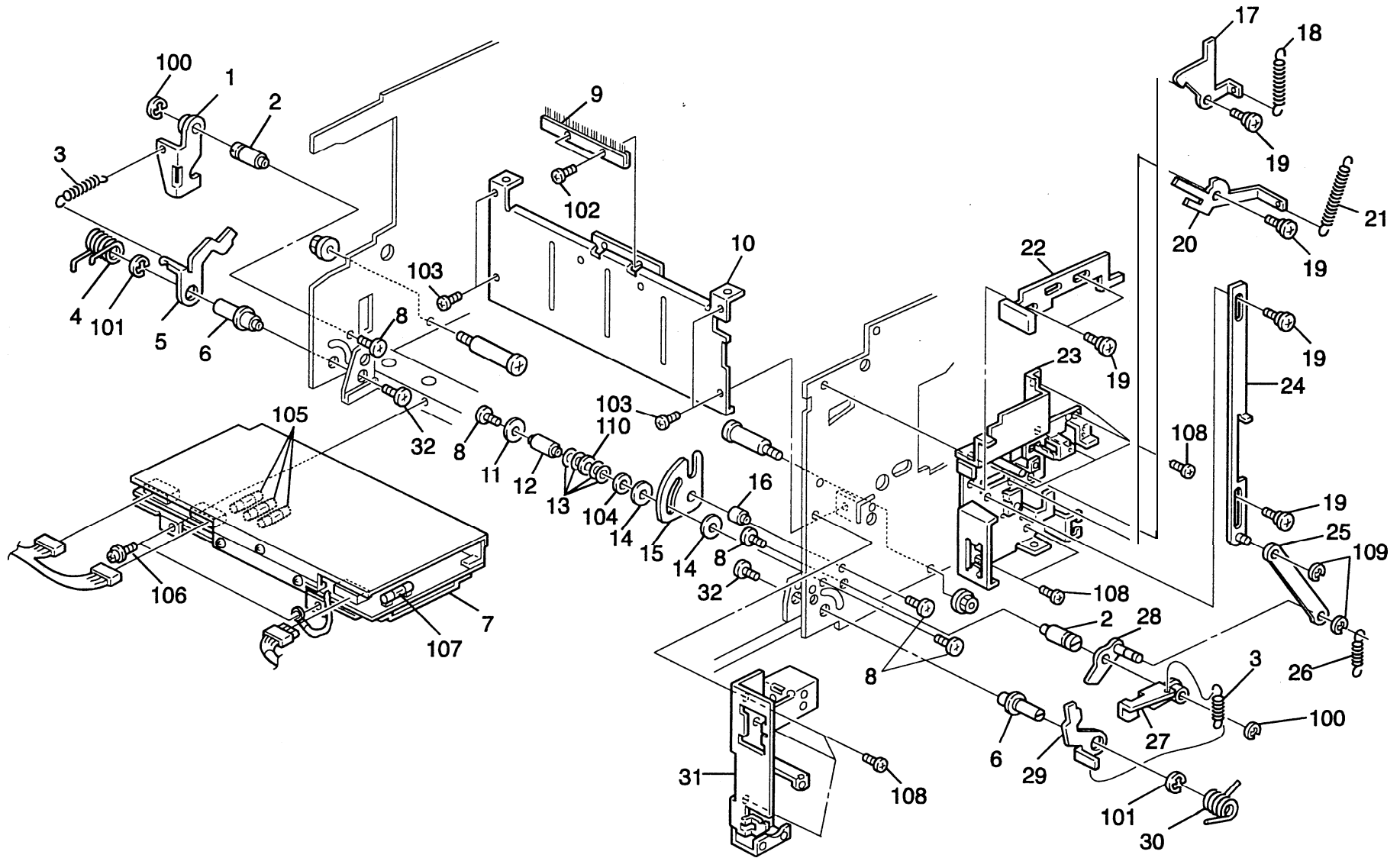


16. DELIVERY TABLE 2 (C223)

Index No.	Part No.	Description	Q'ty Per Assembly
1	C209 6005	Vacuum Plate	1
2	C209 6003	Vacuum Plate Bracket	2
3	C203 6047	Rubber Washer	2
4	C203 6046	Link - Wing	2
5	C209 6028	Transport Right Wing	1
6	C209 6050	Bushing - 4x8x6 mm	2
7	C209 6025	Transport Left Wing	1
8	C221 6051	Support Arm	1
9	C209 4059	Lever Knob	1
10	C203 6035	Magnet Plate	2
11	C221 6037	Right Support Plate	2
12	AG07 0004	Magnetic Catch	1
13	C221 6038	Left Support Plate	1
14	C221 6002	Vacuum Base	1
15	C221 6048	Small Arm	1

Index No.	Part No.	Description	Q'ty Per Assembly
100	0434 0080Z	Tapping Screw - M4x8	
101	1105 0172	Clamp	
102	1403 0691	Photo Sensor	
103	0313 0100Z	Philips Pan Head Screw - M3x10	
104	0951 3012Z	Philips Screw W/h Flat Washer-M3x12	
105	0707 3050B	Bushing - 3x5mm	
106	0707 3080B	Bushing - M3x8	
107	0964 3006Z	Tapping Screw With Flat Washer - M3	
108	0313 0040Z	Philips Pan Head Screw - M3x4	
109	0314 0080Z	Philips Screw - 4x8	

17. PAPER EXIT SECTION 1 (C223)

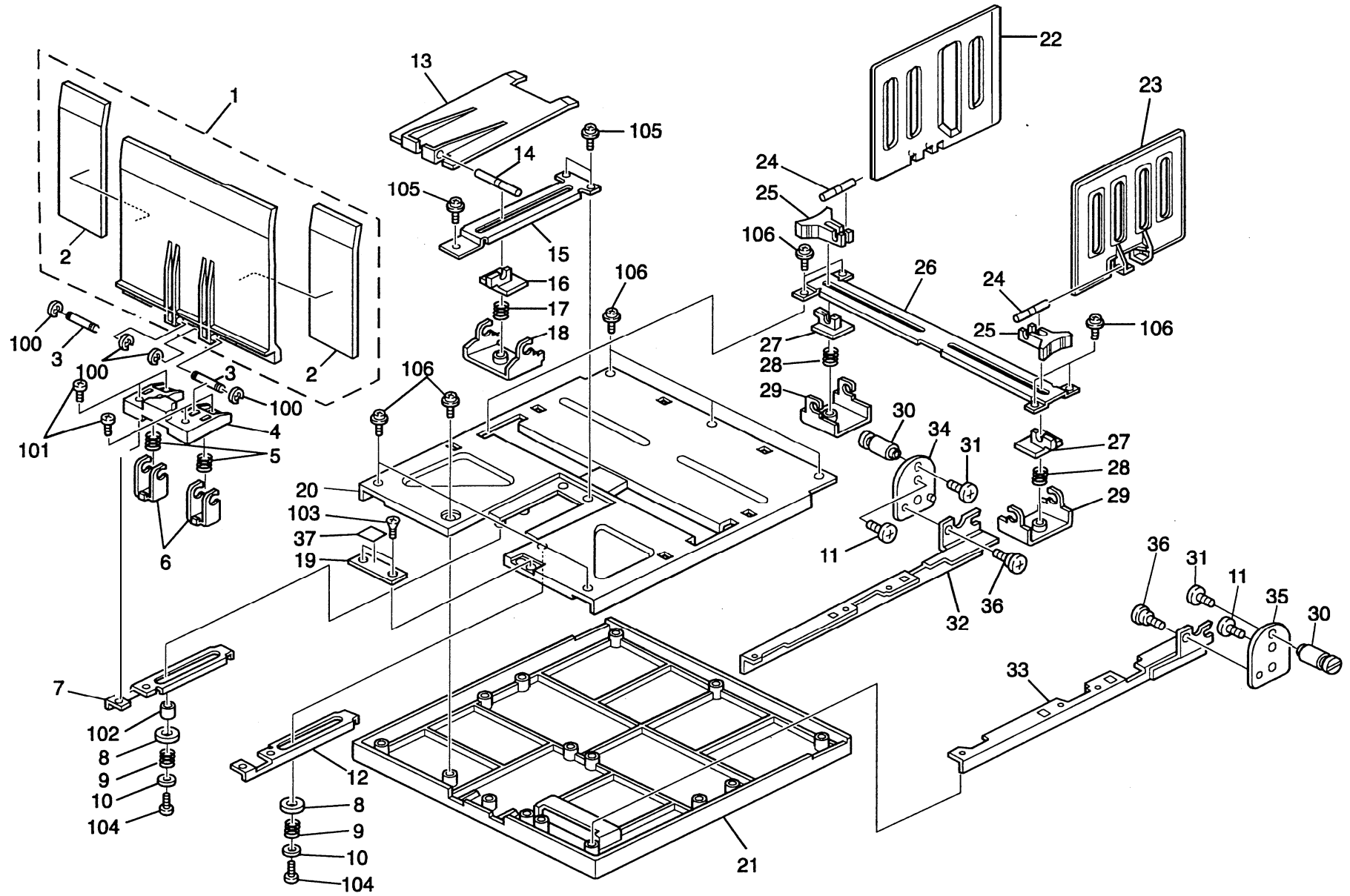


17. PAPER EXIT SECTION 1 (C223)

Index No.	Part No.	Description	Q'ty Per Assembly
1	C209 6110	Right Exit Cam	1
2	C209 6104	Exit Cam Shaft	2
3	C209 6114	Tension Spring	2
4	C209 6116	Right Adjusting Lever Spring	1
5	C209 6113	Right Adjusting Lever	1
6	C221 6118	Adjusting Lever Shaft	2
7	C222 8301	Power Supply Unit	1
8	5506 6197	Screw - Knife Cam - Leading Edge CL	5
9	C219 6084	Antistatic Brush	1
10	C221 6081	Paper Delivery Plate	1
11	C209 6179	Spacer - 4x18x2	1
12	C209 6177	Stud - M4x11	1
13	C209 6180	Spring Washer - M8	4
14	C209 6178	Spacer 8x20x2	14
15	C209 6176	Delivery Table Angle	1
16	C209 6175	Stud - M4	1
17	C200 3953	Middle Lever	1
18	C200 3956	Middle Lever Spring	1
19	C219 3950	Stepped Screw	6
20	C200 3954	Lower Lever	1
21	C200 3957	Lower Lever Spring	1
22	C218 2160	Upper Lever	1
23	C218 2164	2nd Left Side Plate	1
24	C209 6188	Sensor Actuator - Delivery Table	1
25	C209 6196	Actuator Link - Delivery Table	1
26	5501 7559	Spring - Master Feed	1
27	C209 6107	Left Exit Cam	1
28	C209 6193	Lock Arm - Delivery Table Sensor	1
29	C209 6112	Left Adjusting Lever	1
30	C209 6115	Left Adjusting Lever Spring	1
31	C219 2109	Key Counter Bracket	1
32	5603 1045	Screw - M5	2

Index No.	Part No.	Description	Q'ty Per Assembly
100	0720 0060Z	Retaining Ring - M6	
101	0720 0100Z	Retaining Ring - M10	
102	0313 0040Z	Philips Pan Head Screw - M3x4	
103	0314 0080Z	Philips Screw - 4x8	
104	0701 0080Z	Flat Washer - M8	
105	1107 0415	Fuse 5A	
106	0951 3008Z	Philips Screw With Flat Washer - M3	
107	1107 0354	Fuse - 3.15A 125V	
108	0434 0080Z	Tapping Screw - M4x8	
109	0720 0040Z	Retaining Ring - M4	
110	0807 5013	Flat Washer - M8.4	

18. PAPER EXIT SECTION 2 (C223)

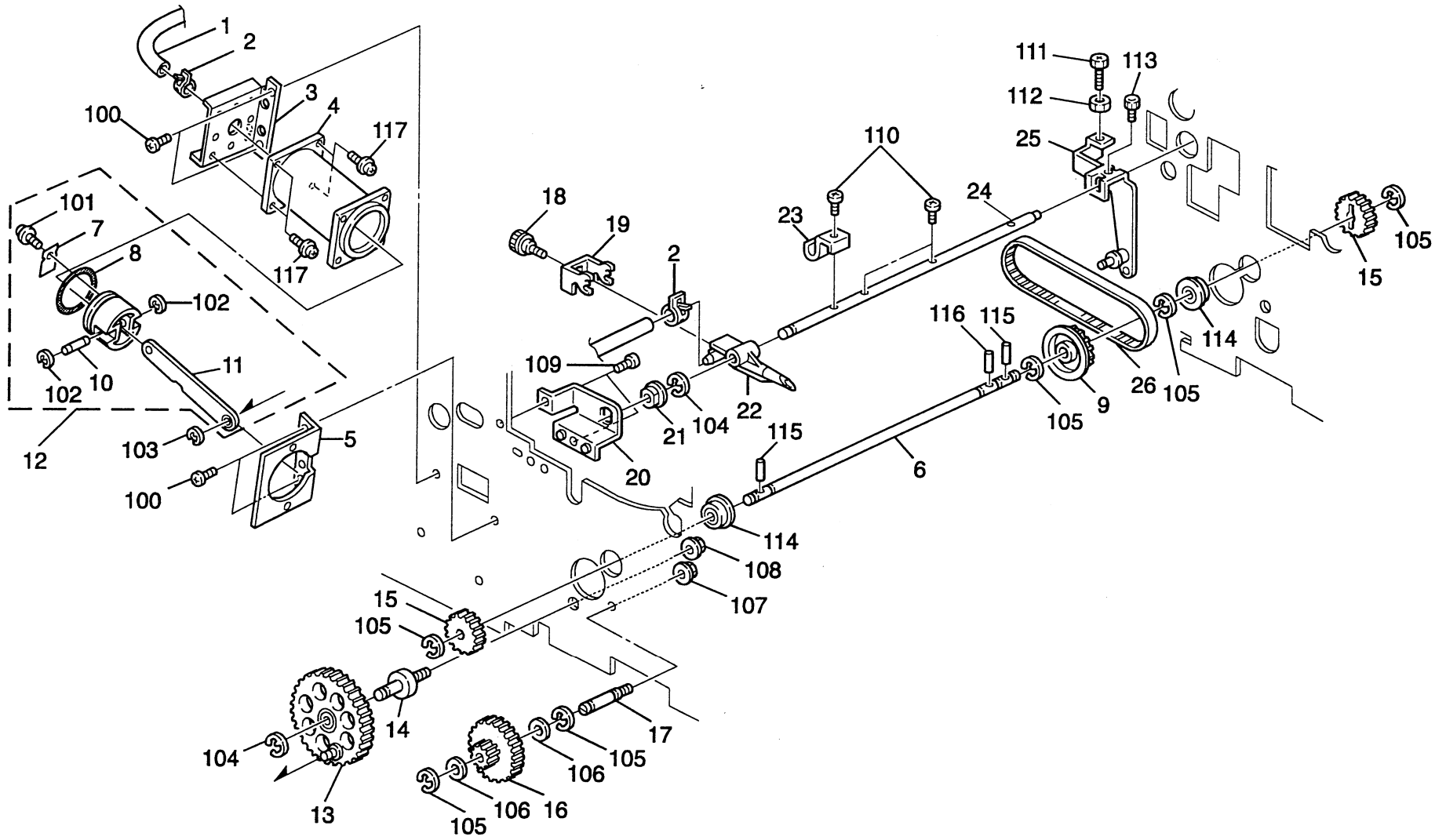


18. PAPER EXIT SECTION 2 (C223)

Index No.	Part No.	Description	Q'ty Per Assembly
*	C222 6101	Delivery Table Unit (LT)	1
*	C222 6265	Delivery Table Unit (A4)	1
1	C209 6184	End Fence	1
2	C209 6156	Sponge Seal - 4.5x65x175	2
3	C209 6157	End Fence Shaft	2
4	C209 6160	End Fence Base	1
5	C209 6159	End Fence Spring - Large	2
6	C209 6158	End Fence Bracket	2
7	C209 6162	Right Rail - End Fence (A4)	1
7	C210 6255	Right Rail - End Fence (LT)	1
8	C209 6163	Spacer - 10x18x1	2
9	C209 6164	Rail Spring - End Fence	2
10	C209 6168	End Fence Washer	2
11	5603 1045	Screw - M5	2
12	C209 6161	Left Rail - End Fence (A4)	1
12	C210 6254	Left Rail - End Fence (LT)	1
13	C209 6183	Small End Fence	1
14	C209 6144	Guide Fence Shaft	1
15	C209 6151	End Fence Support Rail	1
16	C209 6142	Guide Fence Slider	1
17	C209 6150	End Fence Spring	1
18	C209 6153	Bracket - Support End Fence	1
19	C209 6136	Magnet Plate	1
20	C210 6253	Delivery Table (LT)	1
20	C210 6262	Delivery Table (A4)	1
21	C218 6119	Delivery Table Cover	1
22	C209 6181	Front Guide Plate	1
23	C209 6182	Rear Guide Fence	1
24	C209 6144	Guide Fence Shaft	2
25	C209 6143	Guide Fence Knob	2
26	C209 6141	Guide Fence Rail	1
27	C209 6142	Guide Fence Slider	2
28	C209 6149	Guide Fence Spring	2
29	C209 6145	Guide Fence Bracket	2
30	C209 6126	Stud - M4	2

Index No.	Part No.	Description	Q'ty Per Assembly
31	5506 6197	Screw - Knife Cam - Leading Edge CL	2
32	C221 6131	Right Stay - Delivery Table	1
33	C221 6130	Left Stay - Delivery Table	1
34	C221 6128	Support Plate - Right Stay	1
35	C221 6127	Support Plate - Left Stay	1
36	5607 3927	Stepped Screw - M3x8	2
37	C209 6137	Magnet Catch Cover	1
100	0720 0030Z	Retaining Ring - M3	
101	0343 0060W	Philips Pan Head Screw - M3x6	
102	0707 8105B	Bushing - M8x10.5	
103	0323 0060Z	Philips Sunk Screw - M3x6	
104	0313 0060Z	Philips Pan Head Screw - M3x6	
105	0965 3012W	Tapping Screw With Flat Washer - M3	
106	0965 3012W	Tapping Screw With Flat Washer - M3	

19. PAPER EXIT SECTION 3 (C223)

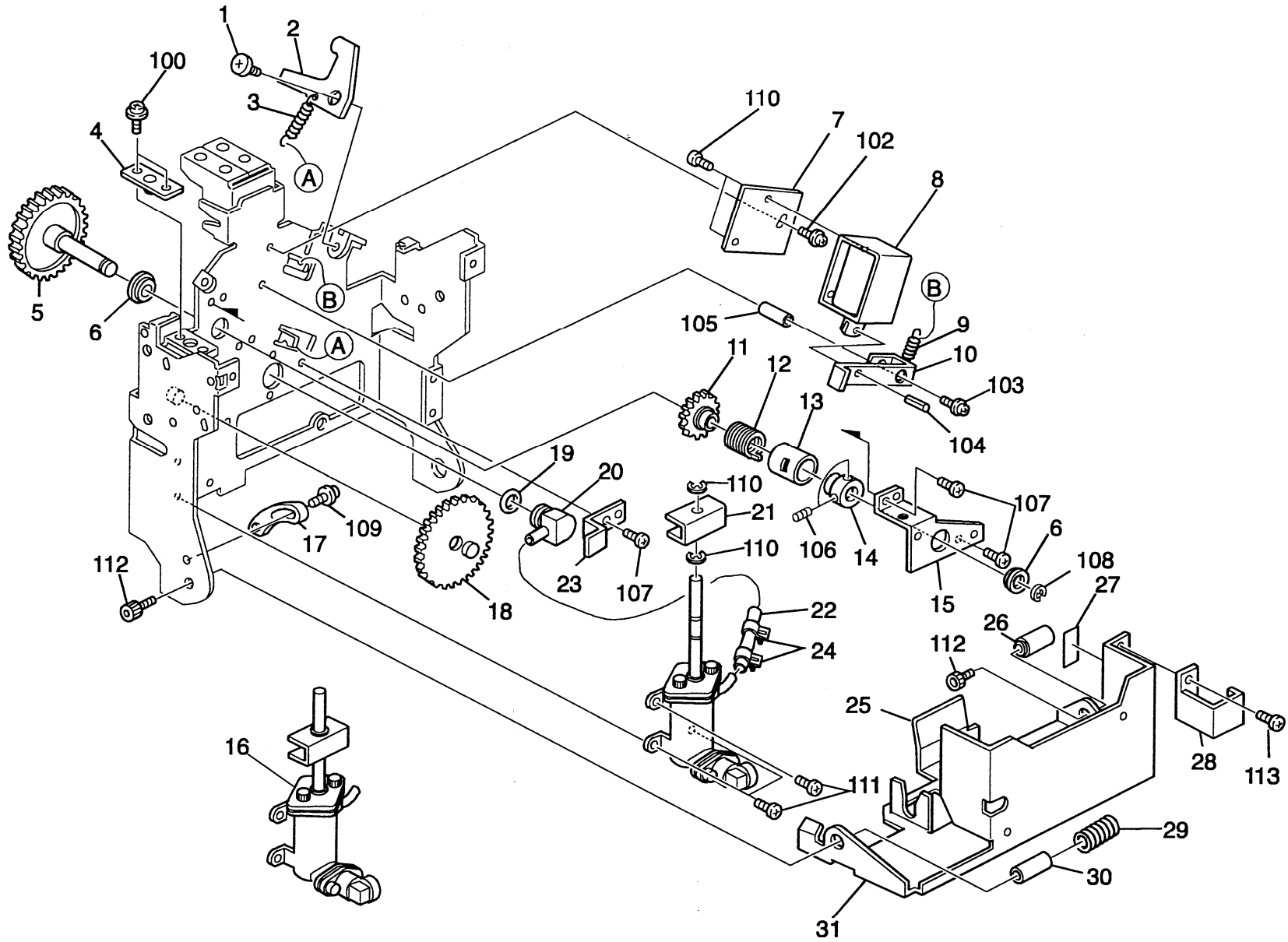


19. PAPER EXIT SECTION 3 (C223)

Index No.	Part No.	Description	Q'ty Per Assembly
1	C209 6219	Air Hose	1
2	C209 4711	Hose Band	2
3	C209 6241	Front Cylinder Bracket	1
4	C209 6240	Air Pump Cylinder	1
5	C209 6242	Rear Sylinder Bracket	1
6	C209 6065	Drive Shaft - Vacuum Roller	1
7	C209 6215	Piston Valve	1
8	C209 6216	O-Ring - 34	1
9	C200 6059	Pulley - 25T	1
10	C209 6213	Piston Pin - Air Pump	1
11	C209 6211	Piston Link	1
12	C209 6203	Air Piston Ass'y	1
13	C209 6207	Gear - 75Z	1
14	C209 6210	Air Pump Drive Shaft	1
15	C209 6064	Gear - 28Z	2
16	C209 6204	Gear - 18/48Z	1
17	C209 6206	Gear Shaft	1
18	C209 6231	Knob Screw - M4	1
19	C209 6230	Exit Pawl Holder	1
20	C209 6223	Exit Pawl Bracket	1
21	5053 0223	Bushing - 8mm	1
22	C209 6233	Exit Pawl	1
23	C209 6225	Hose Clamp	1
24	C209 6232	Exit Pawl Shaft	1
25	C200 6004	Exit Pawl Lever	1
26	C209 6067	Timing Belt - 220XL025G	1

Index No.	Part No.	Description	Q'ty Per Assembly
100	0314 0080Z	Philips Screw - 4x8	
101	0433 0060W	Tapping Screw - M3x6	
102	0720 0030Z	Retaining Ring - M3	
103	0720 0040Z	Retaining Ring - M4	
104	0720 0060Z	Retaining Ring - M6	
105	0720 0080Z	Retaining Ring - M8	
106	0807 7013	Spacer - 10.2 X 14 X 0.2 mm	
107	0713 0050B	Hexagon Nut - M5	
108	0713 0080B	Flanged Hexagon Nat - M8	
109	0314 0050Z	Philips Pan Head Screw - M4x5	
110	0313 0060Z	Philips Pan Head Screw - M3x6	
111	0584 0121Z	Hexagon Bolt - M4x12	
112	0710 0040Z	Hex Nut 4	
113	0593 0080E	Bolt - M3x8	
114	0805 3452	Ball Bearing - 10x22x6mm	
115	0623 0160E	Spring Pin - 3x16mm	
116	0623 0180E	Spring Pin - 3x18mm	
117	0960 4008Z	Flange Head Screw - 4 X 8	

20. DRUM SECTION 1 (C223)

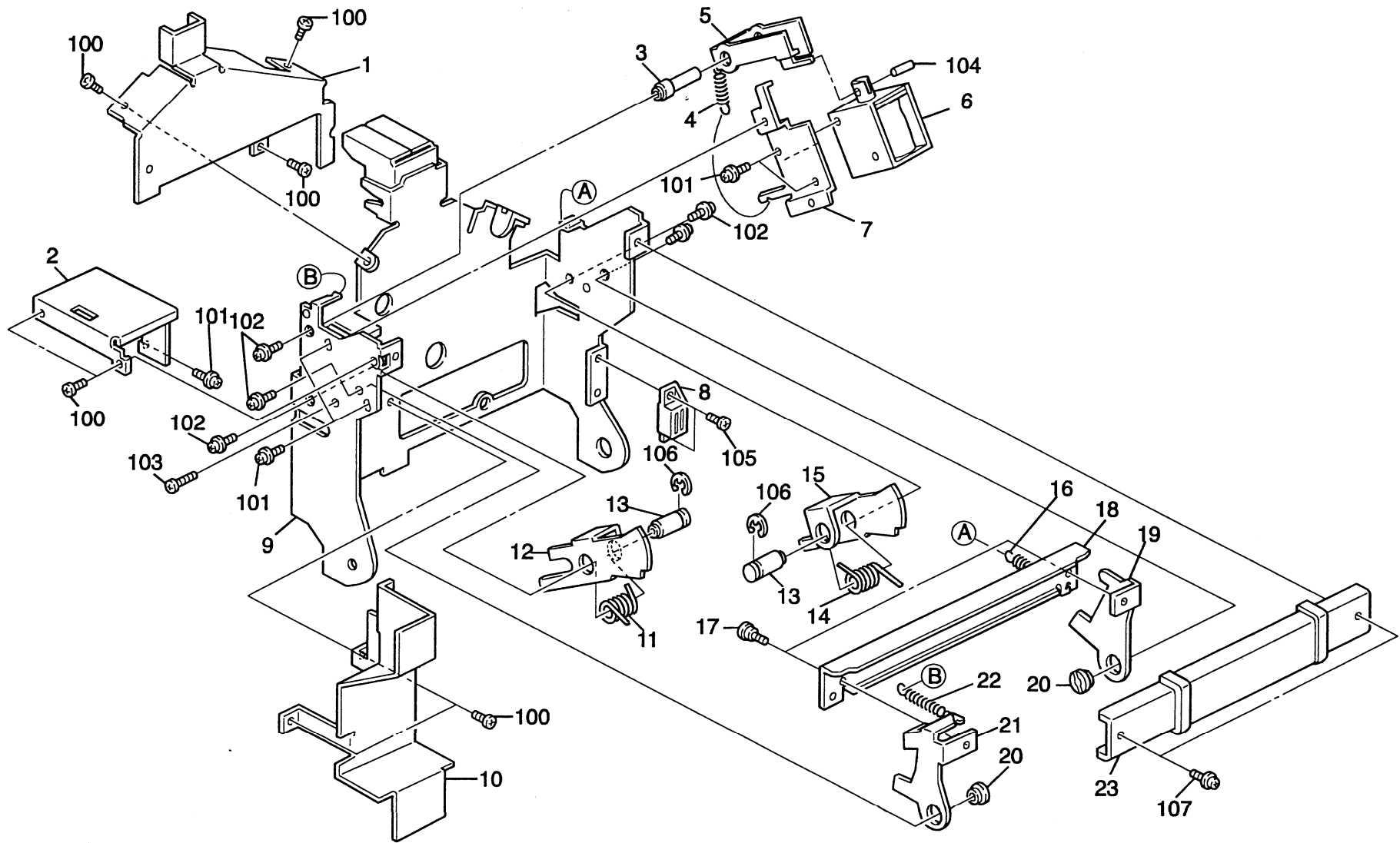


20. DRUM SECTION 1 (C223)

Index No.	Part No.	Description	Q'ty Per Assembly
1	5413 1882	Stepped Screw	1
2	C209 4529	Drum Stopper	1
3	C200 4914	Drum Stopper Spring	1
4	C200 4814	Bushing - 6x10x55mm	1
5	C209 4852	Gear - 46Z	1
6	5507 6624	Bushing - 8x16x45mm	2
7	C200 4864	Bracket - Ink Supply Solenoid	1
8	C209 8227	Ink Supply Solenoid	1
9	5505 3598	Spring - Ratch - Control Section	1
10	C200 4862	Ink Stopper	1
11	C209 4674	Gear - 25Z	1
12	C201 4676	Clutch Spring	1
13	C200 4861	Pump Clutch Sleeve	1
14	C201 4067	Pump Clutch Collar	1
15	C209 4677	Clutch Bracket	1
16	C222 4670	Ink Pump (RIC)(NRG)(SVN)	1
16	C222 4680	Ink Pump (AB DICK)	1
17	C200 4926	Ink Holder Cam	1
18	C209 4867	Gear - 64Z	1
19	0808 0021	Rubber Ring	1
20	C213 4810	Ink Antechamber	1
21	C201 4679	Ink Pump Slider	1
22	C209 4817	Ink Tube - Small	1
23	C209 4816	Stopper Plate - Ink Antechamber	1
24	C209 4711	Hose Band	2
25	C200 4826	Pump Rubber	1
26	C209 4923	Right Shaft - Ink Holder	1
27	C209 4930	Seal - 0.1x5x17	1
28	C201 4639	Ink Holder Handle	1
29	C201 4682	Ink Cartridge Spring	1
30	C200 4924	Right Shaft - Ink Holder	1
31	C209 4641	Ink Holder	1

Index No.	Part No.	Description	Q'ty Per Assembly
100	0951 4006Z	Philips Screw With Flat Washer - M4	
101	0313 0040Z	Philips Pan Head Screw - M3x4	
102	0960 4006Z	Philips Frang Screw - M4x6	
103	0951 4020Z	Philips Screw With Flat Washer - M4	
104	0623 0080E	Spring Pin - 3x8mm	
105	0707 4160B	Bushing - 4x16mm	
106	0574 0050E	Hexagon Headless Set Screw - M4x5	
107	0434 0060Z	Tapping Screw - M4x6	
108	0720 0060Z	Retaining Ring - M6	
109	0951 4010Z	Philips Screw With Flat Washer M4 X	
110	0720 0050Z	Retaining Ring - M5	
111	0434 0080Z	Tapping Screw - M4x8	
112	0595 0080Z	Bolt - M5x8	
113	0314 0060Z	Philips Pan Head Screw - M4x6	

21. DRUM SECTION 2 (C223)

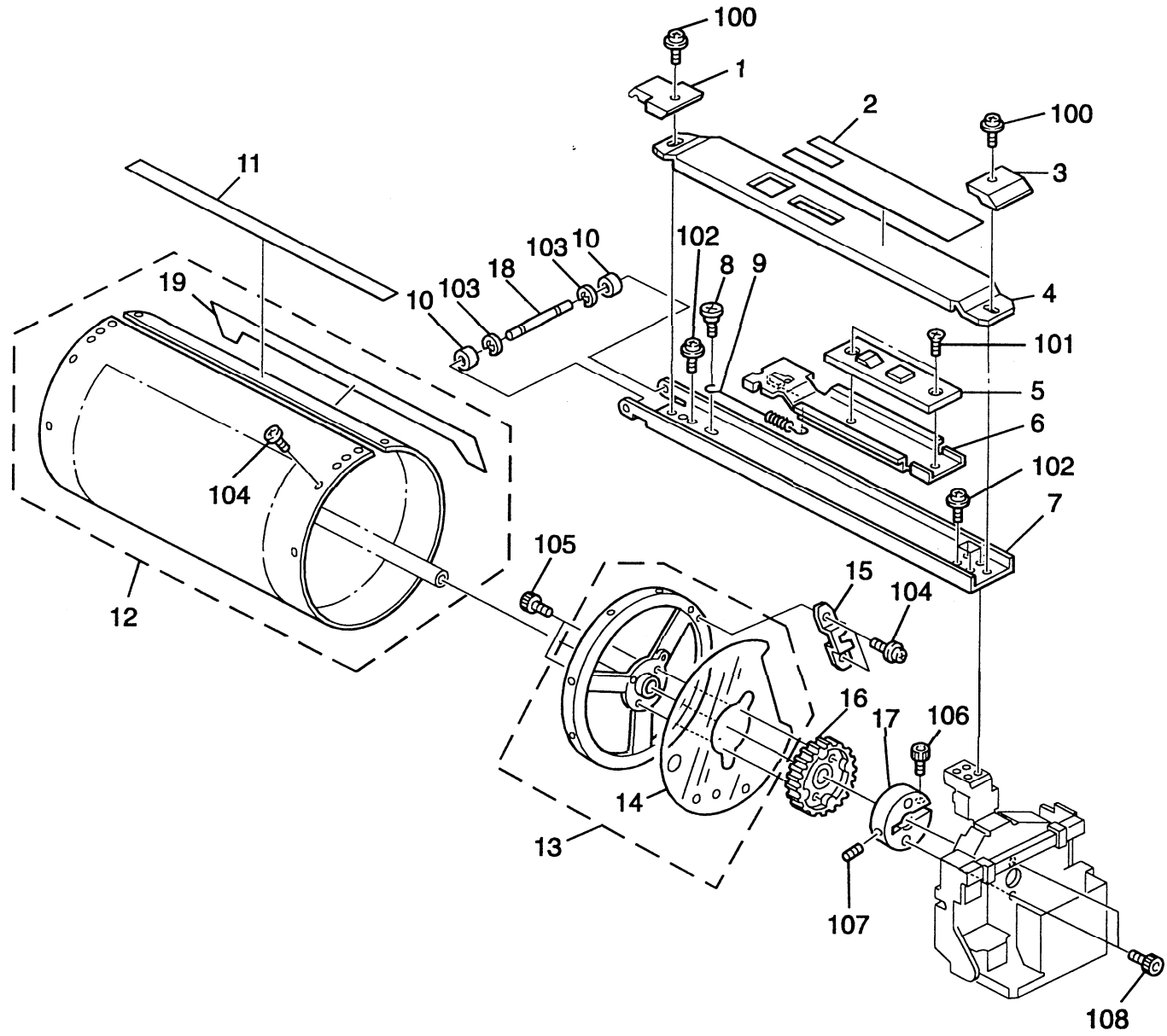


21. DRUM SECTION 2 (C223)

Index No.	Part No.	Description	Q'ty Per Assembly
1	C209 4616	Side Plate Cover - Drum	1
2	C209 4620	Upper Cover - Drum Side Plate	1
3	C209 4566	Drum Lock Shaft	1
4	C200 5118	Release Spring	1
5	C209 4567	Left Arm - Drum Lock	1
6	C209 8234	Drum Lock Solenoid	1
7	C209 4568	Solenoid Bracket - Drum Lock	1
8	5054 0536	Magnet Catch Ass'y	1
9	C209 4624	Front Side Plate	1
10	C209 4617	Lower Cover - Drum Side Plate	1
11	C209 4634	Drum Lock Spring - Left	1
12	C200 4631	Left Arm - Drum Lock	1
13	C200 4633	Drum Lock Shaft - Long	2
14	C200 4635	Drum Lock Spring - Right	1
15	C200 4632	Right Arm - Drum Lock	1
16	5600 1379	Spring	1
17	5400 3404	Stepped Screw	2
18	C209 4639	Release Lever - Drum Lock	1
19	C209 4637	Right Stopper - Drum Lock	1
20	C200 4638	Drum Lock Shaft - Small	2
21	C209 4638	Left Stopper - Drum Lock	1
22	C209 4642	Drum Lock Spring	1
23	C201 4636	Drum Unit Handle	1

Index No.	Part No.	Description	Q'ty Per Assembly
100	0434 0060Z	Tapping Screw - M4x6	
101	0951 3005Z	Philips Pan Head Screw - M3 X 5	
102	0960 4006Z	Philips Frang Screw - M4x6	
103	0434 0100Z	Pan Head Self-tapping Screw - M4x10	
104	0623 0080E	Spring Pin - 3x8mm	
105	0314 0060Z	Philips Pan Head Screw - M4x6	
106	0720 0060Z	Retaining Ring - M6	
107	0960 4008Z	Flange Head Screw - 4 X 8	

22. DRUM SECTION 3 (C223)

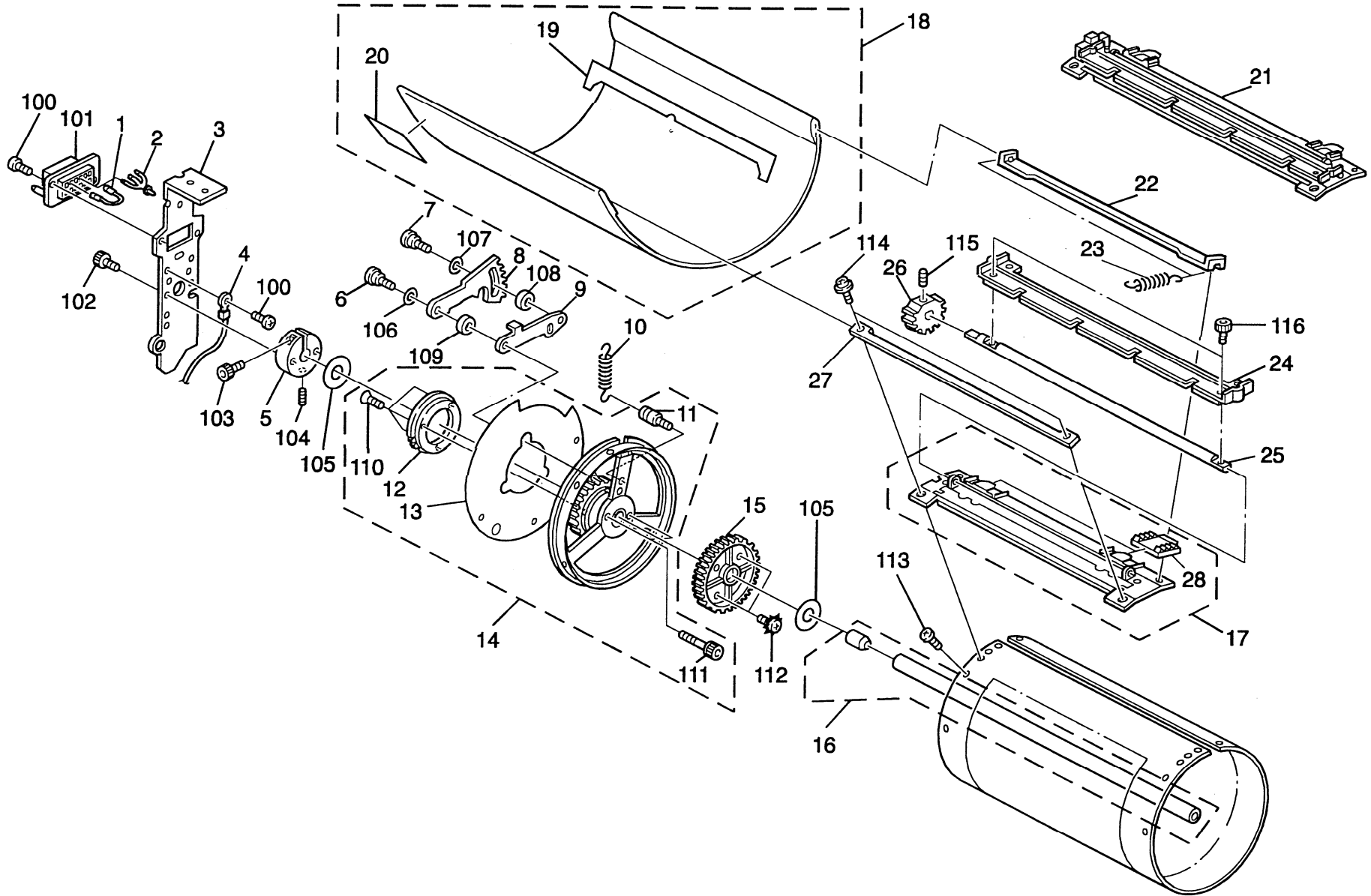


22. DRUM SECTION 3 (C223)

Index No.	Part No.	Description	Q'ty Per Assembly
1	C218 4612	Rear Roller Guide	1
2	C201 2543	Decal - Drum Caution	1
3	C207 4611	Front Stopper Guide (RIC)(NRG)(SVN)	1
3	C201 4611	Front Stopper Guide (AB DICK)	1
4	C201 4613	Drum Rail Cover	1
5	C201 4609	Stopper Relasing Lever	1
6	C201 4606	Stopper Releasing Plate	1
7	C200 4625	Drum Rail	1
8	5506 6111	Stepped Screw - M4	1
9	C201 4610	Drum Slider Spring	1
10	C201 4604	Drum Rail Roller	2
11	2701 0101	Metal Screen Seal	1
12	C223 4801	Metal Screen - DLT	1
13	C219 4648	Front Drum Flange	1
14	C219 4678	Front Drum Flange cover	1
15	C209 4681	Stopper Plate	1
16	C209 4673	Gear - 62Z	1
17	C200 4653	Drum Shaft Bracket	1
18	C200 4627	Drum Rail Shaft	1
19	C209 4814	Metal Screen Mylar	1

Index No.	Part No.	Description	Q'ty Per Assembly
100	0951 4008Z	Philips Screw With Flat Washer M4x8	
101	0323 0050Z	Philips Sunken Head Screw - M3x5	
102	0960 4006Z	Philips Frang Screw - M4x6	
103	0720 0050Z	Retaining Ring - M5	
104	0951 4006Z	Philips Screw With Flat Washer - M4	
105	0595 0080E	Hexagon Bolt - M5x8	
106	0595 0140E	Hexagon Bolt - M5x14	
107	0575 0080E	Hexagon Headless Set Screw - M5x8	
108	0594 0080Z	Bolt - M4x8	

23. DRUM SECTION 4 (C223)

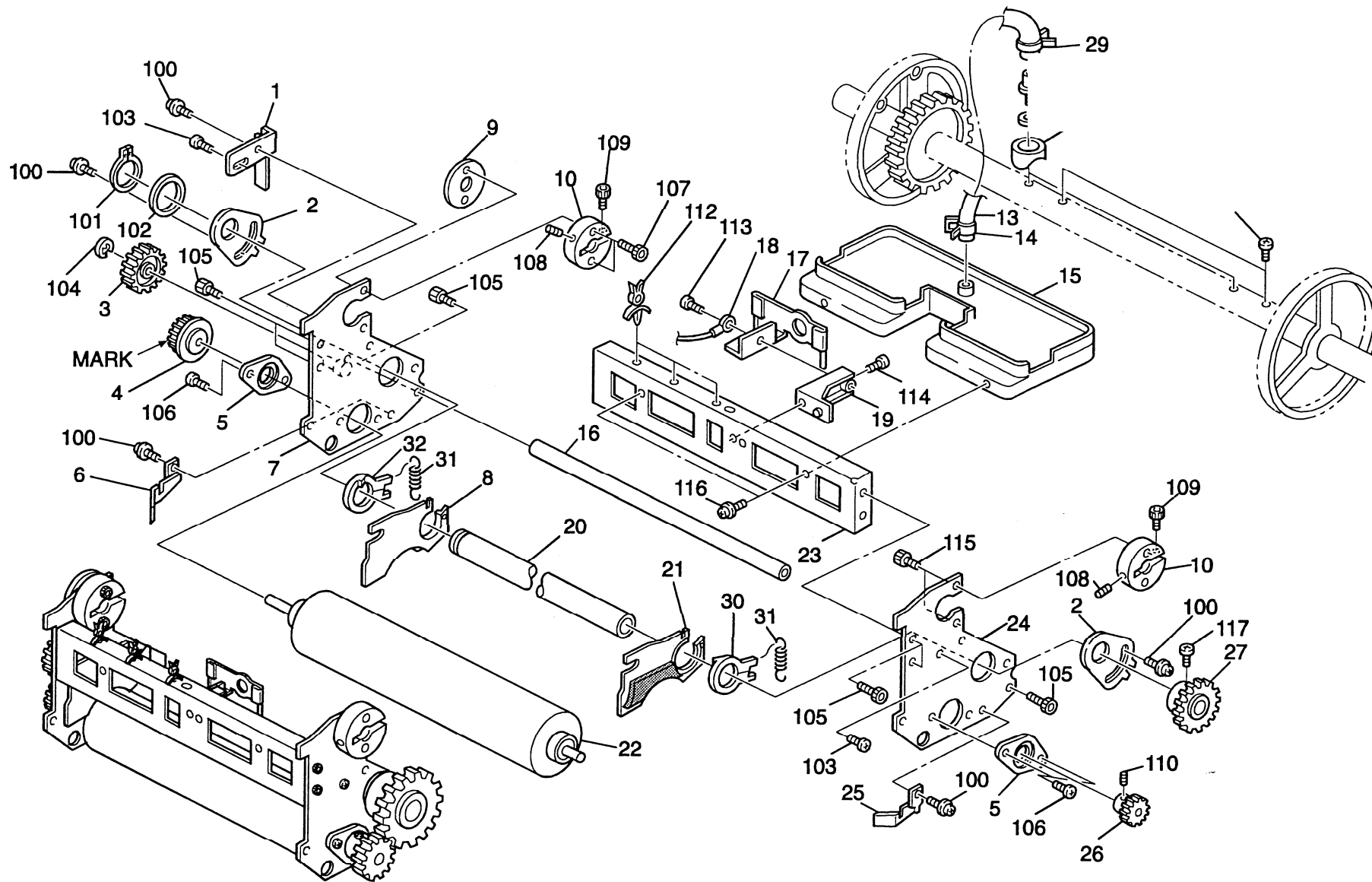


23. DRUM SECTION 4 (C223)

Index No.	Part No.	Description	Q'ty Per Assembly
1	C209 8169	Short Harness	1
2	C526 8172	Relay Harness (Option Drum)	1
3	C209 4613	Rear Side Plate - Drum	1
4	C209 8140	Grounding Wiar - 65mm	1
5	C200 4653	Drum Shaft Bracket	1
6	5506 6069	Step Screw - Etching Middle Roller	1
7	C200 4946	Clamper Sectar Shaft	1
8	C200 4944	Sector Gear - 9T	1
9	C209 4689	Interrupter Plate	1
10	C200 4945	Sector Gear Spring	1
11	5413 2274	Spring Aunchor - Release Lever	1
12	C209 4688	Gear Support Plate	1
13	C219 4679	Rear Seald - Drum Flange	1
14	C218 4565	Rear Drum Flange	1
15	C209 4672	Gear - 50Z	1
16	C209 4531	Drum Shaft	1
17	C218 4945	Drum Clamper Base Ass'y	1
18	C223 4836	Tetron Screen - DLT	1
19	C209 4850	Screen mylar	1
20	C209 4550	Black Seal - 40x50	1
21	C218 4936	Drum Clamper Ass'y	1
22	C218 4683	Screen Rear Plate	1
23	C209 4540	Screen Plate Spring	2
24	C209 4938	Clamper Magnet	1
25	C209 4941	Clamper Shaft	1
26	C200 4942	Pinion - 9T	1
27	C209 4682	Screen Front Plate	1
28	C209 4947	Clamper Rubber	2

Index No.	Part No.	Description	Q'ty Per Assembly
100	0314 0080Z	Philips Screw - 4x8	
101	1102 2098	Connector - 12p	
102	0594 0080Z	Bolt - M4x8	
103	0595 0140E	Hexagon Bolt - M5x14	
104	0575 0080E	Hexagon Headless Set Screw - M5x8	
105	0807 7114	Washer - 16x24x0.3mm	
106	0807 5044	Spacer - 8.1mm X 11.5mm X 0.2	
107	0807 4126	Flat Washer - 6.2x12x0.2mm	
108	0807 3103	Washer - 4x13x2.3mm	
109	0807 5076	Washer - 8x13x2.2mm	
110	0323 0060Z	Philips Sunk Screw - M3x6	
111	0804 6092	Hexagonal Set Screw	
112	0952 4008W	Philips Screw - M4x8	
113	0951 4006Z	Philips Screw With Flat Washer - M4	
114	0951 4008Z	Philips Screw With Flat Washer M4x8	
115	0574 0050E	Hexagon Headless Set Screw - M4x5	
116	0804 6091	Hexagonal Set Screw - M2x5	

24. DRUM SECTION 5 (C223)

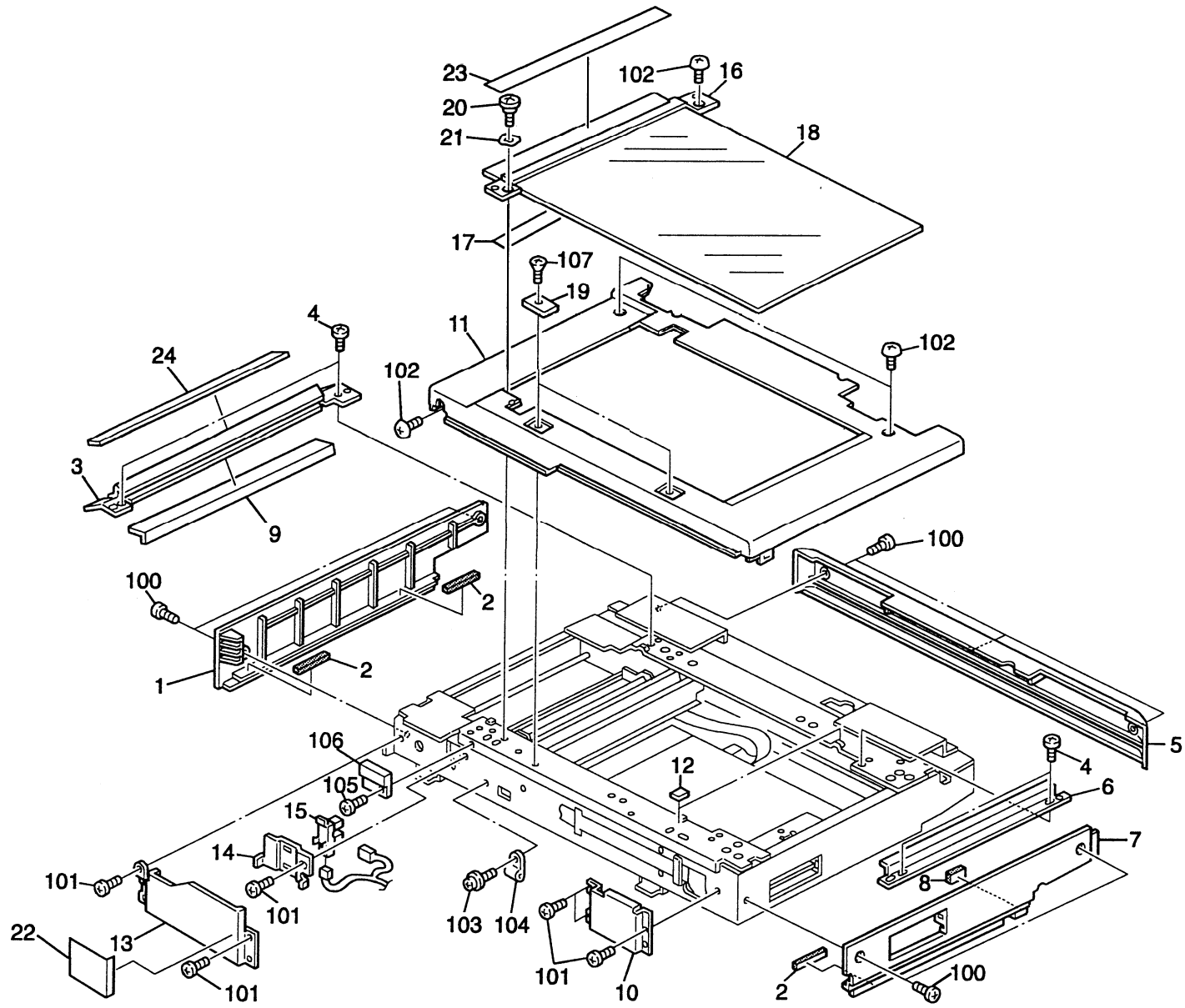


24. DRUM SECTION 5 (C223)

Index No.	Part No.	Description	Q'ty Per Assembly
1	C209 4749	Grounding Plate	1
2	C200 4723	Adjusting Plate - Doctor Roller	2
3	C207 4672	Gear - 36Z	1
4	C207 4670	Gear - 24Z	1
5	C201 4665	Bearing Holder	2
6	C217 4599	Rear Drum Blade	1
7	C209 4662	Rear Side Plate - Ink Roller	1
8	C218 4594	Rear Bank Plate	1
9	C209 4654	Spacer - 16x36x5.7	1
10	C200 4653	Drum Shaft Bracket	2
11	C218 4701	Ink Tube nipple	1
12	C209 4704	Packing - Ink Tube	1
13	C218 4698	Ink Distributor & Tube Ass'y	1
14	C209 4711	Hose Band	1
15	C209 4705	Ink Distributor	1
16	C209 4715	Shaft Stay - Ink Roller	1
17	C203 4543	Ink Detector	1
18	C209 8137	Relay Harness - Ink Detection	1
19	C200 4733	Ink Detector Bracket	1
20	C209 4722	Doctor Roller	1
21	C218 4592	Front Bank Plate	1
22	C209 4666	Ink Roller	1
23	C209 4664	Ink Roller Stay	1
24	C209 4661	Front Side Plate - Ink Roller	1
25	C217 4598	Front Drum Blade	1
26	C200 3629	Gear - 20T	1
27	C200 4748	Gear - 45T	1
28	C209 4712	Spacer	1
29	C209 4713	Hose Band	1

Index No.	Part No.	Description	Q'ty Per Assembly
100	0951 4006Z	Philips Screw With Flat Washer - M4	
101	0725 0160E	Retaining Ring C - M16	
102	0807 7114	Washer - 16x24x0.3mm	
103	0314 0080Z	Philips Screw - 4x8	
104	0720 0050Z	Retaining Ring - M5	
105	0594 0060E	Socket Screw - 4X6	
106	0313 0040Z	Philips Pan Head Screw - M3x4	
107	0594 0200E	Hexagon Bolt - M4x20	
108	0575 0080E	Hexagon Headless Set Screw - M5x8	
109	0595 0140E	Hexagon Bolt - M5x14	
110	0573 0040E	Hexagon Headless Set Screw - M3x4	
111	0314 0120Z	Philips Screw - 4x12	
112	1105 0209	Clamp	
113	0434 0082Z	Tapping Screw - M4x8	
114	0314 0060Z	Philips Pan Head Screw - M4x6	
115	0594 0080E	Bolt - M4x8	
116	0951 4008Z	Philips Screw With Flat Washer M4x8	
117	0313 0050Z	Philips Screw - 3x5	

25. SCANNER SECTION 1 (C223)

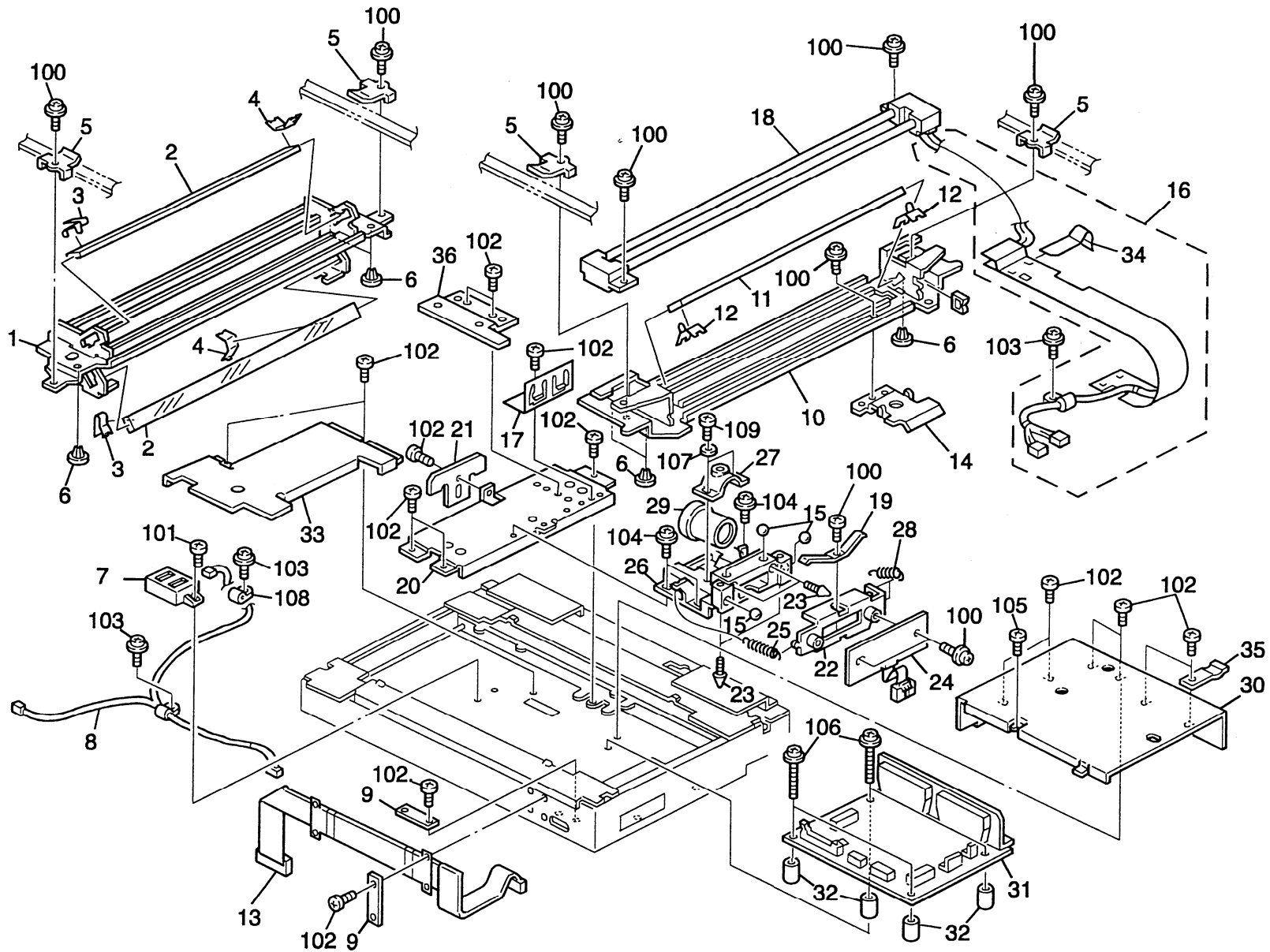


25. SCANNER SECTION 1 (C223)

Index No.	Part No.	Description	Q'ty Per Assembly
1	C218 2535	Scanner Left Cover	1
2	C218 2522	Cushion - Large	3
3	C218 3046	Original Exit Guide	1
4	5875 2088	Shoulder Screw - M4	4
5	C218 2560	Scanner Rear Cover	1
6	C218 3041	Right Bracket	1
7	C218 2515	Scanner Right Cover	1
8	C218 2524	Cushion - Small	1
9	C218 3045	Guide Mylar	1
10	C218 3037	Flat Cable Cover	1
11	C218 2500	Scanner Upper Cover	1
12	C218 3171	Seal - 5x30	2
13	C218 3036	H.P Sensor Cover	1
14	C218 3034	H.P Sensor Bracket	1
15	C218 8407	Photointerruptor - GP1A34LC	1
16	C218 3205	Original Scale - A4	1
16	C218 3157	Original Scale - LT	1
17	C222 3170	Exposure Glass Sheet	1
18	C218 3166	Exposure Glass (A4)	1
18	C218 3154	Exposuer Glass (LT)	1
19	C218 3446	Magnet Catch Plate	2
20	C218 2525	Stepped Screw - M4	1
21	C217 5102	Spring Washer	1
22	C218 3018	Seal - 40x131	1
23	C218 2516	Decal - Original Scale - A4	1
23	C218 2820	Decal - Original Size - LT	1
24	C218 3044	Cover Cushion	1

Index No.	Part No.	Description	Q'ty Per Assembly
100	0344 0060D	Philips Truss Head Screw - M4x6	
101	0314 0060Z	Philips Pan Head Screw - M4x6	
102	0344 0060D	Philips Truss Head Screw - M4x6	
103	0960 4006Z	Philips Frang Screw - M4x6	
104	1105 0005	Nylon Clip - 3n	
105	0313 0060Z	Philips Pan Head Screw - M3x6	
106	1204 2353	Switch - PS3670-02	
107	0324 0060Z	Philips Sunken Head Screw - M4x6	

26. SCANNER SECTION 2 (C223)

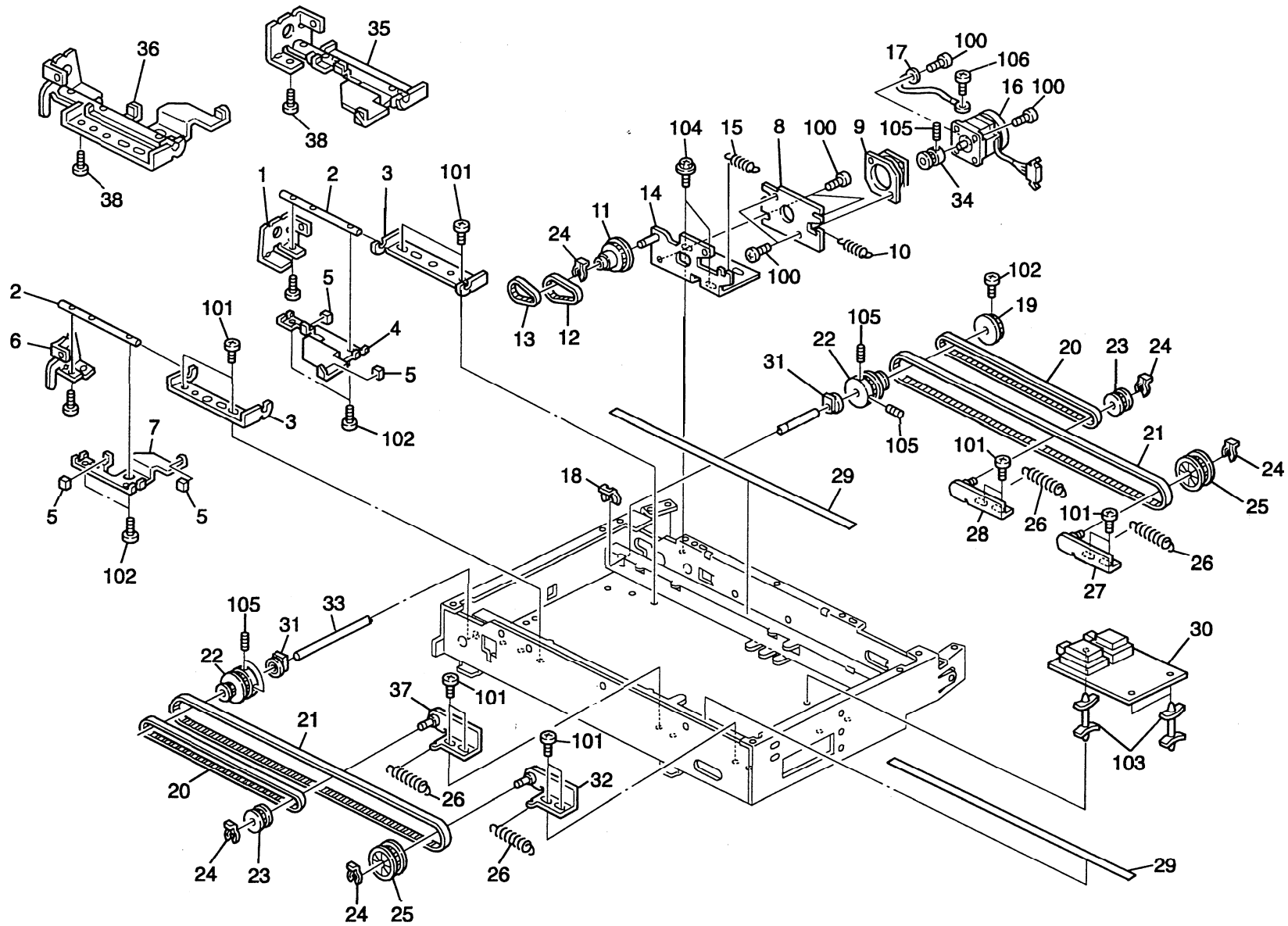


26. SCANNER SECTION 2 (C223)

Index No.	Part No.	Description	Q'ty Per Assembly
1	C222 3185	Mirror Bracket - 2nd/3rd	1
2	C218 3206	2nd And 3rd Mirror	2
3	C218 3208	Front Spring Plate	2
4	C218 3207	Rear Spring Plate	2
5	C218 3193	Timing Belt Clamp	3
6	C222 3175	Scanner Slider	6
7	C218 8424	Original Sensor	1
8	C218 8132	Original Sensor Harness	1
9	C218 3039	Flat Cable Clamp	2
10	C222 3150	1st Mirror Bracket	1
11	C218 3191	1st Mirror	1
12	C218 3190	Spring Plate	2
13	C218 8153	Scanner Flat Cable	1
14	C222 3178	Fluorescent Lamp Harness Bracket	1
15	C218 3213	Adjusting Ball	3
16	C222 3200	Fluorescent Lamp Harness	1
17	C222 3169	Harness Bracket	1
18	C222 8220	Fluorescent Lamp	1
19	C218 3223	Adjusting Spring Plate	1
20	C218 3043	Lens Base Plate	1
21	C218 3226	Shading Plate	1
22	C223 3215	CCD Bracket	1
23	C218 3212	Adjusting Pin	4
24	C223 8072	CCD Board	1
25	C218 3225	Front Adjust Spring	1
26	C218 3214	Lens Bracket	1
27	C218 3211	Lens Holder	1
28	C218 3224	Rear Adjust Spring	1
29	AC02 0046	CCD Lens F4/43	1
30	C222 3232	CCD Board Cover	1
31	C222 8012	A/D Converter Board	1
32	C222 3120	Spacer	4
33	C222 3019	Scanner Harness Cover	1
34	C222 3179	Harness Clip	1
35	C222 3234	Grounding Plate (230V)	1

Index No.	Part No.	Description	Q'ty Per Assembly
36	C223 3233	CCD Board Bracket	
100	0951 3006Z	Philips Screw With Flat Washer - M3	
101	0313 0060Z	Philips Pan Head Screw - M3x6	
102	0314 0060Z	Philips Pan Head Screw - M4x6	
103	0960 4006Z	Philips Frang Screw - M4x6	
104	0951 4008Z	Philips Screw With Flat Washer M4x8	
105	0801 1004	Screw - M4X4	
106	0965 3008W	Tapping Screw With Flat Washer - M3x8	
107	0701 0030Z	Flat Washer - M3	
108	1105 0005	Nylon Clip - 3n	
109	0965 3008W	Tapping Screw With Flat Washer-M3x8	

27. SCANNER SECTION 3 (C223)

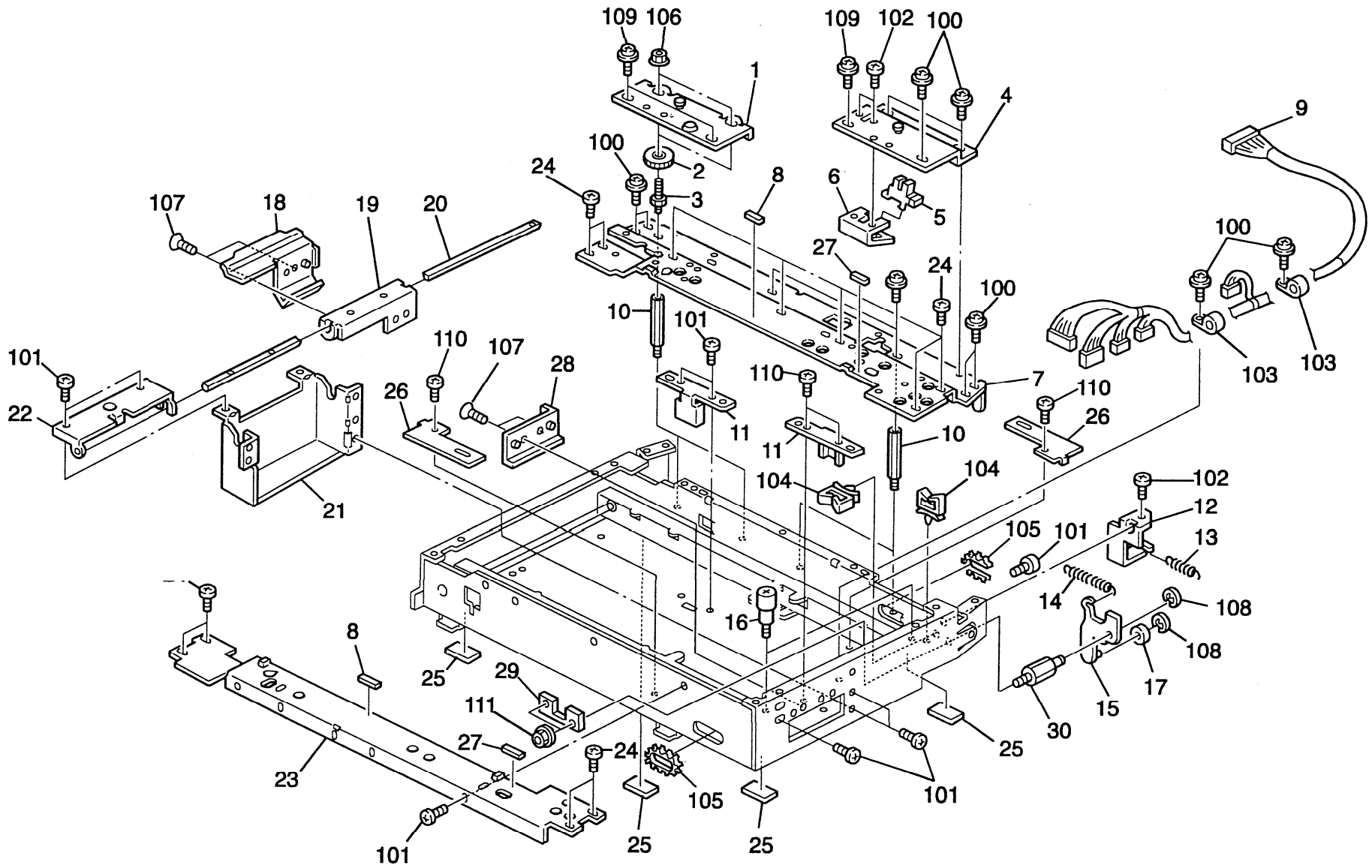


27. SCANNER SECTION 3 (C223)

Index No.	Part No.	Description	Q'ty Per Assembly
1	C218 3060	Rear Fixed Angle	1
2	C218 3057	Fixed Shaft	2
3	C218 3056	Fixed Shaft Bracket	2
4	C218 3053	Arm - Carriage - Fix - Front	1
5	C218 3054	Pad - 5x5	4
6	C218 3055	Front Fixed Angle	1
7	C218 3059	Rear Fixed Arm	1
8	C218 3081	Tension Bracket	1
9	C218 3086	Motor Cushion	1
10	C218 3082	Tension Spring	1
11	C218 3065	Pulley - 22/56Z	1
12	C218 3072	Timing Belt - B40S2M160	1
13	C218 3073	Timing Belt - B60S2M126	1
14	C218 3078	Scanner Motor Bracket	1
15	C218 3083	Tension Spring	1
16	C223 8214	Stepping Motor	1
17	C218 8426	Grounding Harness	1
18	C209 3133	Retaining Ring - M6	1
19	C218 3066	Pulley - 49Z	1
20	C218 3075	Timing Belt - B40S2M800	2
21	C218 3074	Timing Belt - B40S2M1274	2
22	C218 3063	Scanner Drive Pulley	2
23	C218 3069	Timing Pulley - 24Z	2
24	5447 2681	Snap Ring	5
25	C218 3068	Timing Pulley - 48Z	2
26	C218 3094	Tension Spring	4
27	C218 3103	Timing Pulley Bracket - Rear 2	1
28	C218 3096	Timing Pulley Bracket - Rear 1	1
29	C218 3017	Scanner Grip Rail	2
30	C222 8221	Inverter	1
31	C222 3193	Bushing - 8mm	1
32	C218 3099	Timing Pulley Bracket - Front 2	1
33	C218 3090	Scanner Drive Shaft	1
34	C218 3062	Timing Pulley - Scanner Motor	1
35	C218 3053	Arm - Carriage - Fix - Front	1

Index No.	Part No.	Description	Q'ty Per Assembly
36	C218 3059	Rear Fixed Arm	1
37	C218 3091	Timing Pulley Bracket - Front 1	1
38	C218 3051	Philips Screw - M3	1
100	0314 0080Z	Philips Screw - 4x8	
101	0801 1004	Screw - M4X4	
102	0313 0050Z	Philips Screw - 3x5	
103	1105 0225	Spacer - W Rocking	
104	0804 6074	Hexagon Bolt - M4x8	
105	0573 0040E	Hexagon Headless Set Screw - M3x4	
106	0964 4006Z	Tapping Screw W/Flat Washer - M4x6	

28. SCANNER SECTION 4 (C223)

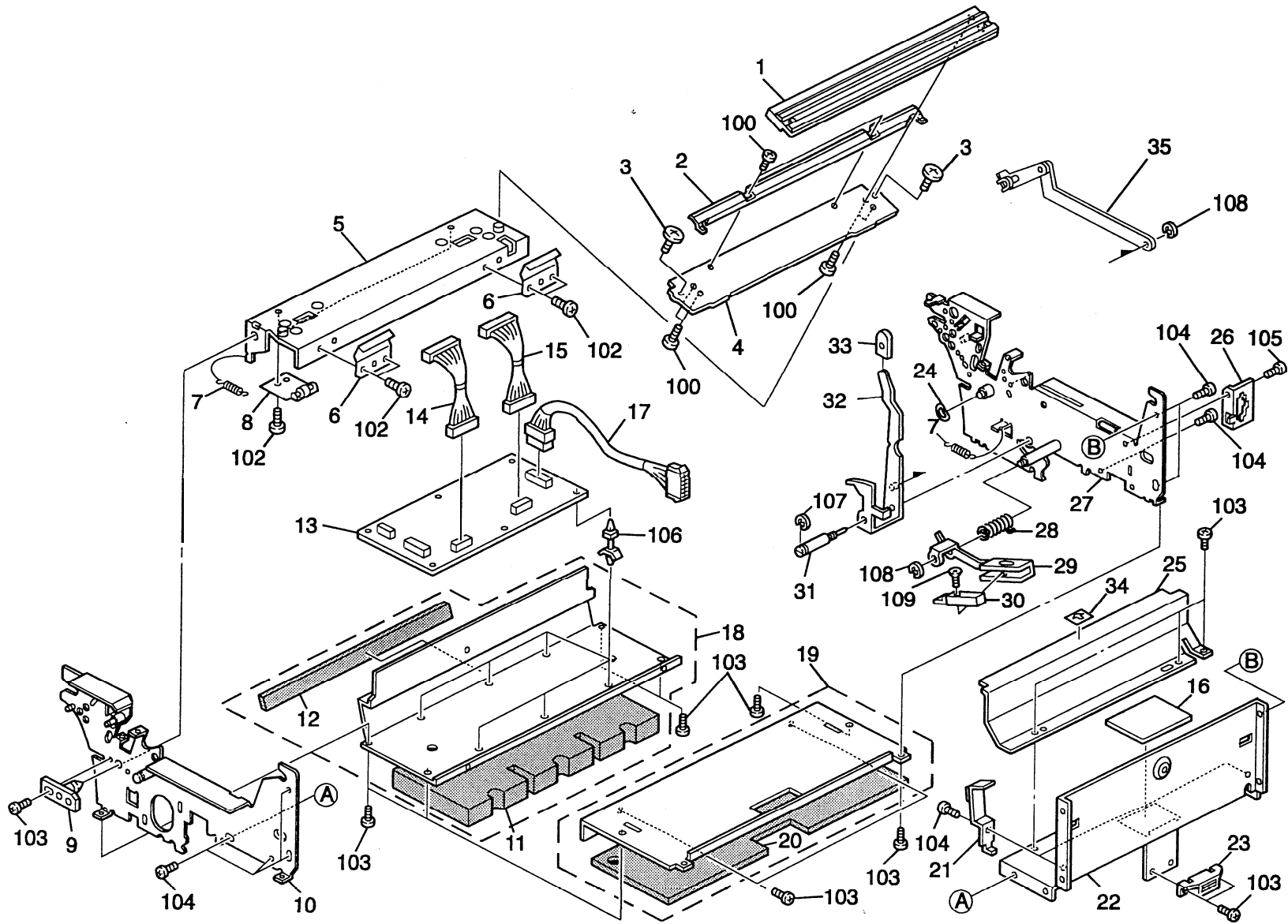


28. SCANNER SECTION 4 (C223)

Index No.	Part No.	Description	Q'ty Per Assembly
1	C218 3438	Platen Cover Left Bracket	1
2	C218 3430	Knob Screw	2
3	C218 3431	Platen Cover Shaft	2
4	C218 3426	Platen Cover Right Bracket	1
5	AW02 0021	Photointerruptor - 175487-3	1
6	C218 3434	Sensor Bracket	1
7	C218 3028	Scanner Rear Stay	1
8	C218 3025	Contact Grass Cushion	2
9	C222 8415	Scanner Harness	1
10	C218 3031	Stud	4
11	C223 3014	Scanner Stopper Lever	2
12	C218 3118	Scanner Stopper Bracket	1
13	C218 3117	Stopper Spring 2	1
14	C218 3116	Stopper Spring 1	1
15	C218 3112	Scanner Stopper	1
16	C218 3020	Stopper Pin	2
17	C209 4087	Gide Plate Roller	1
18	C223 3108	Scanner Open Grip	1
19	C223 3109	Grip Bracket	1
20	C218 3111	Scanner Grip Shaft	1
21	C222 3016	Scanner Grip Cover	1
22	C218 3110	Scanner Grip Upper Cover	1
23	C218 3024	Scanner Front Stay	1
24	5875 2088	Shoulder Screw - M4	11
25	C218 3003	Seal - 28x40	4
26	C222 3235	Grounding Plate	2
27	C223 3024	Contact Glass Sheet	2
28	C223 3119	Scanner Open Cover	1
29	C218 3021	Support Plate	1
30	C218 3022	Scanner Stopper Shaft	1

Index No.	Part No.	Description	Q'ty Per Assembly
100	0960 4008Z	Flange Head Screw - 4 X 8	
101	0314 0060Z	Philips Pan Head Screw - M4x6	
102	0313 0060Z	Philips Pan Head Screw - M3x6	
103	1105 0011	Nylon Clip - 8n	
104	1105 0144	Harness Clamp	
105	1106 0103	Universal Bushing	
106	0713 0040B	Hexagon Nut - M4	
107	0324 0060Z	Philips Sunken Head Screw - M4x6	
108	0720 0030Z	Retaining Ring - M3	
109	0960 4008W	Philips Flange Screw - M4x8	
110	0801 1004	Screw - M4X4	
111	0713 0050B	Hexagon Nut - M5	

29. PLOTTER SECTION 1 (C223)

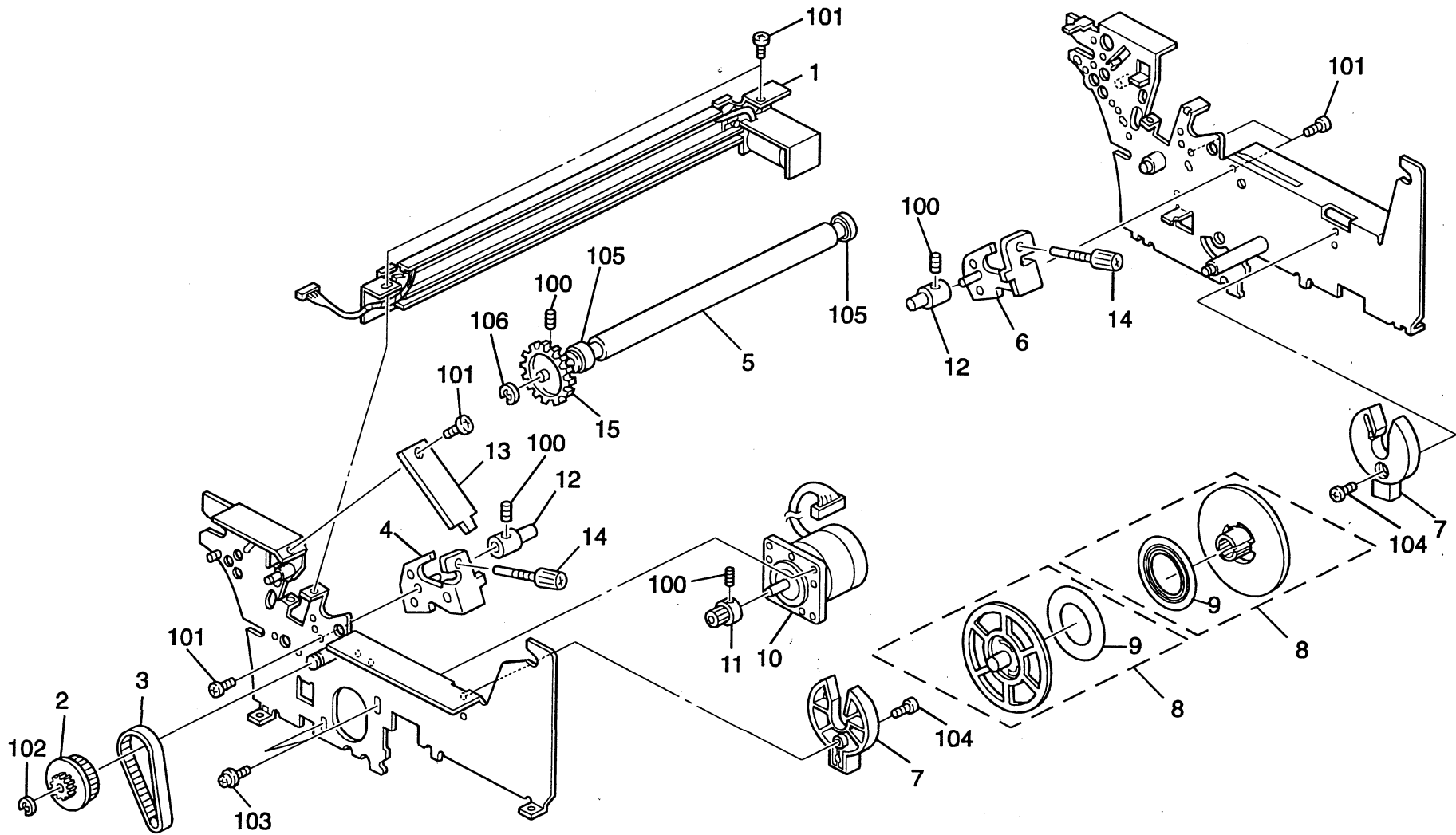


29. PLOTTER SECTION 1 (C223)

Index No.	Part No.	Description	Q'ty Per Assembly
1	C223 8037	Thermal Head - A3	1
2	C223 4037	Thermal Head Guide Plate	1
3	C209 4180	Thermal Head Spacer	2
4	C223 4035	Spacer	1
5	C223 4030	Thermal Head Stay	1
6	C209 4139	Spring Plate	2
7	C223 4034	Spring	1
8	C218 4136	Spring Plate	1
9	C209 4040	Left Adjusting Plate	1
10	C223 4005	Plotter Left Side Plate	1
11	C223 2599	Plotter Base Pad - Large	1
12	C209 2585	Plotter Base Pad - Small	1
13	C222 8028	Thermal Head Drive Board	1
14	C222 8163	Thermal Head Harness - 2	1
15	C222 8164	Thermal Head Harness - 1	1
16	C219 4023	Seal	1
17	C219 8146	Harness Head Power	1
18	C223 4133	Plotter Base	1
19	C223 2586	Lower Plotter Cover	1
20	C223 2587	Plotter Cover Pad	1
21	C203 4013	Brake Plate	1
22	C209 4021	Holder - Master	1
23	5054 0536	Magnet Catch Ass'y	1
24	C218 4038	Bushing Washer - M8	1
25	C223 4054	Thermal Head Cover	1
26	C218 4126	Right Connector Bracket	1
27	C223 4010	Plotter Right Side Plate	1
28	C200 4116	Sensor Spring	1
29	C209 4027	Master End Sensor Bracket	1
30	5203 5230	Master Sensor	1
31	C209 4063	Lever Shaft	1
32	C218 4060	Platen Release Lever	1
33	C209 4059	Lever Knob	1
34	C218 2827	Decal - Master Feed	1
35	C209 4076	Tension Release Arm	1

Index No.	Part No.	Description	Q'ty Per Assembly
100	0313 0040Z	Philips Pan Head Screw - M3x4	
101	0313 0060Z	Philips Pan Head Screw - M3x6	
102	0313 0050Z	Philips Screw - 3x5	
103	0314 0060Z	Philips Pan Head Screw - M4x6	
104	0434 0080Z	Tapping Screw - M4x8	
105	0434 0060Z	Tapping Screw - M4x6	
106	1105 0193	Nylon Stud	
107	0720 0070Z	Retaining Ring - M7	
108	0720 0040Z	Retaining Ring - M4	
109	0323 0100Z	Philips Sunken Head Screw - M3x10	

30. PLOTTER SECTION 2 (C223)

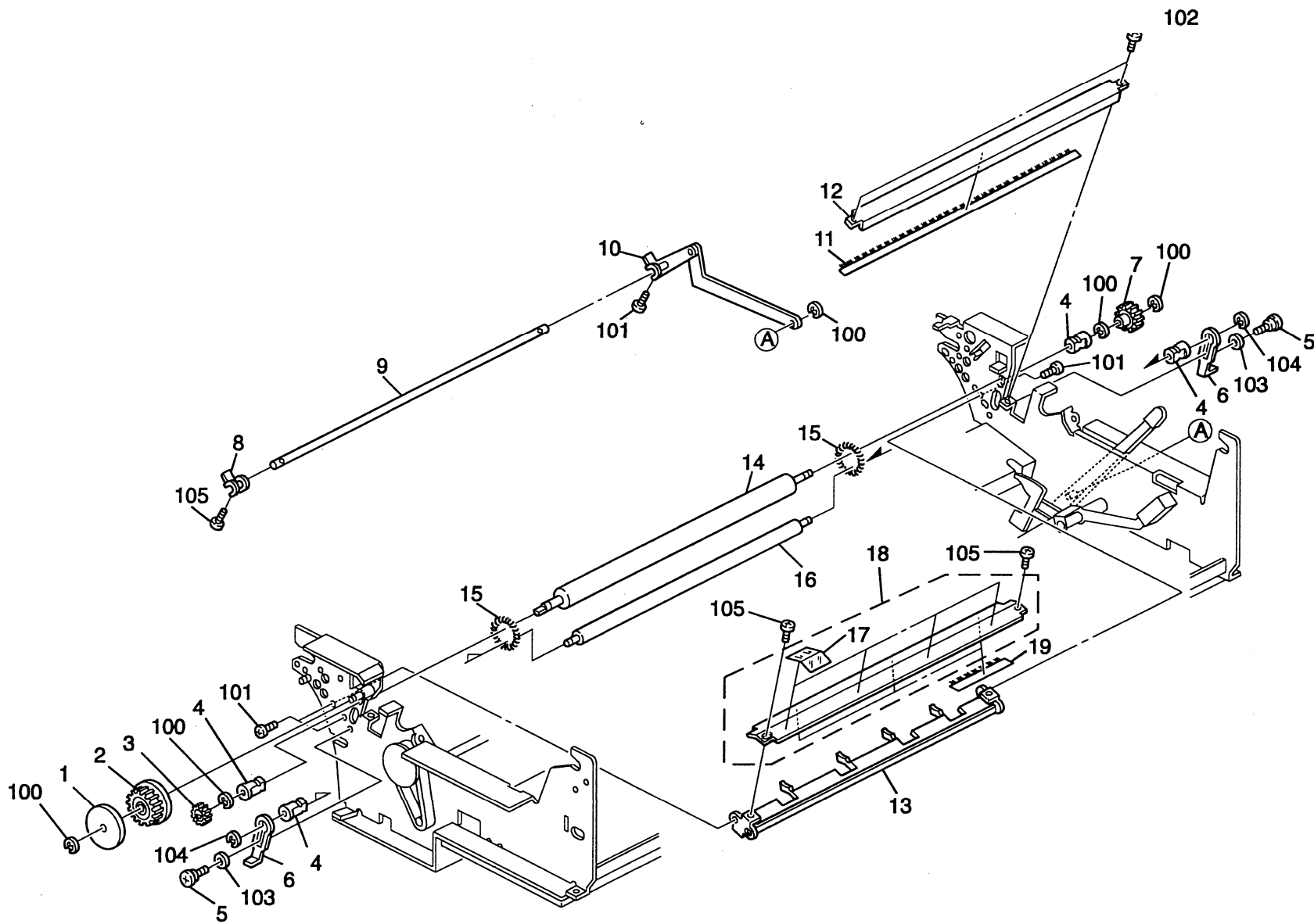


30. PLOTTER SECTION 2 (C223)

Index No.	Part No.	Description	Q'ty Per Assembly
1	C218 4065	Cutter Unit	1
2	C223 4111	Pulley - 38	1
3	C223 4112	Timing Belt	1
4	C223 4179	Left Holder - Platen Cover	1
5	C223 4047	Platen Roller	1
6	C223 4184	Right Holder - Platen Cover	1
7	C209 4025	Master Roller Holder	2
8	C218 4230	Master Flange	2
9	C218 2507	Decal - Master Flange	2
10	C222 8216	Stepper Motor - DC2.85V 4.28W	1
11	C219 4071	Gear - 17Z	1
12	C223 4175	Thermal Head Positioning Pin	2
13	C221 4070	Gear Cover	1
14	C207 4150	Fixing Screw	2
15	C209 4049	Gear - 48Z	1

Index No.	Part No.	Description	Q'ty Per Assembly
100	0574 0040E	Hexagon Headless Set Screw - M4x4	
101	0314 0060Z	Philips Pan Head Screw - M4x6	
102	0720 0080Z	Retaining Ring - M8	
103	0951 4010Z	Philips Screw With Flat Washer M4 X	
104	0434 0080Z	Tapping Screw - M4x8	
105	0740 3008	Ball Bearing - 8x22x7	
106	0720 0060Z	Retaining Ring - M6	

31. PLOTTER SECTION 3 (C223)

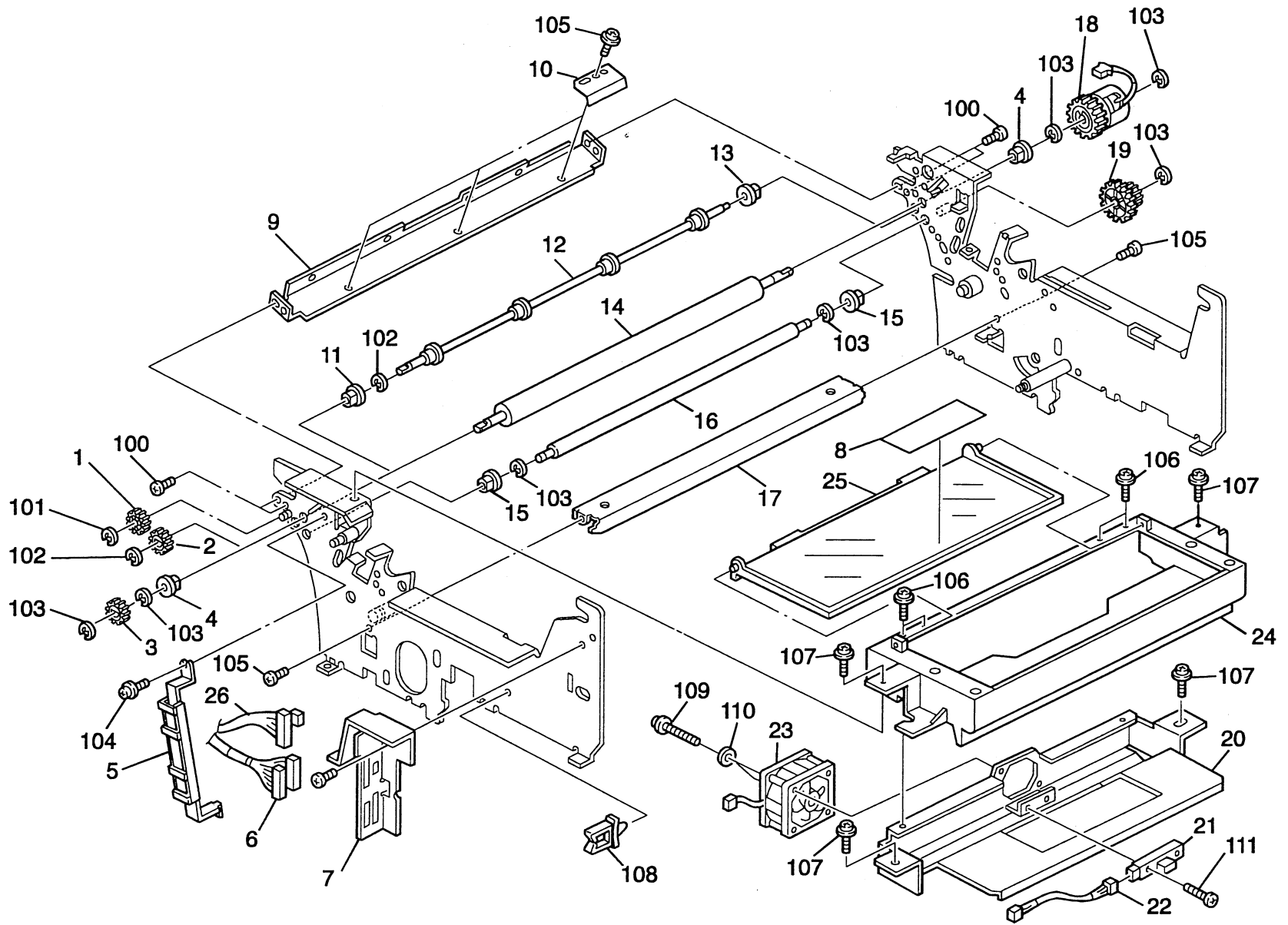


31. PLOTTER SECTION 3 (C223)

Index No.	Part No.	Description	Q'ty Per Assembly
1	C209 4116	Spacer - 6x36x0.3	1
2	C209 4115	Gear - 30Z	1
3	C209 4071	Gear -25Z	1
4	5056 0188	Bushing - 6mm - Long	4
5	5403 2075	Stepped Screw	2
6	C203 4060	Tension Release Slider	1
7	C209 4072	Gear - 24Z	1
8	C209 4075	Left Arm - Tension Release	1
9	C209 4082	Tension Release Shaft	1
10	C209 4076	Tension Release Arm	1
11	C209 4320	Antistatic Brush	1
12	C223 4068	Front Guide Plate	1
13	C209 4093	Reverse Guide	1
14	C209 4070	Upper Master Feed Roller	1
15	C200 4184	Tension Spring	2
16	C209 4074	Lower Master Feed Roller	1
17	C223 4038	Master Guide - Large	4
18	C223 4088	Lower Guide Plate	1
19	C209 4321	Antistatic Brush	3

Index No.	Part No.	Description	Q'ty Per Assembly
100	0720 0040Z	Retaining Ring - M4	
101	0313 0060Z	Philips Pan Head Screw - M3x6	
102	0312 5050Z	Philips Pan Head Screw - M2.5x5	
103	0701 0060Z	Flat Washer - M6	
104	0720 0050Z	Retaining Ring - M5	
105	0313 0050Z	Philips Screw - 3x5	

32. PLOTTER SECTION 4 (C223)

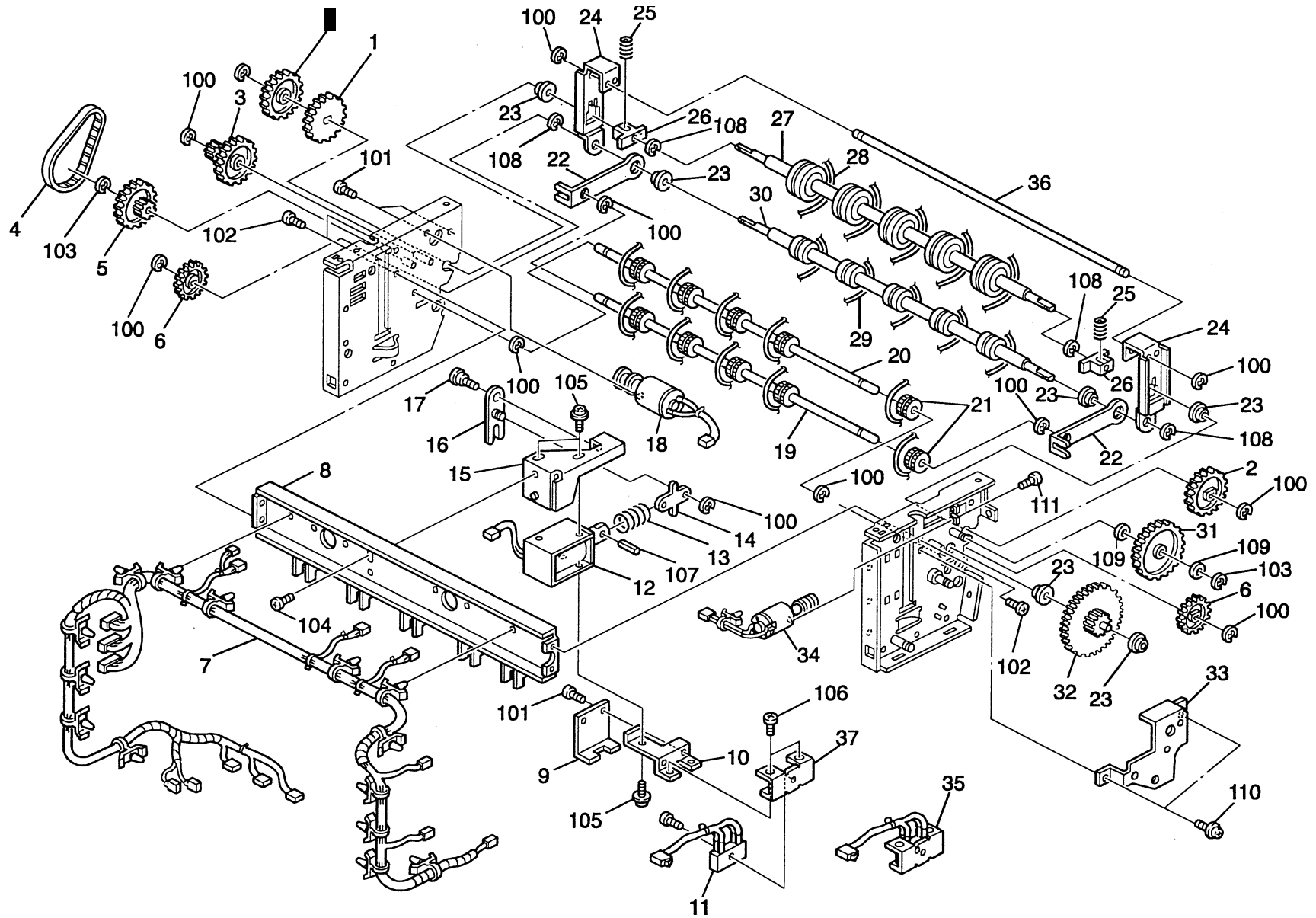


32. PLOTTER SECTION 4 (C223)

Index No.	Part No.	Description	Q'ty Per Assembly
1	C200 2338	Gear - 20T	1
2	C209 4305	Gear - 16Z	1
3	C209 4303	Gear -27Z	1
4	H012 1181	Bushing- 6mm	2
5	C209 4128	Harness Bracket	1
6	C222 8128	Thermal Head Harness	1
7	C223 4125	Left Connector Bracket	1
8	C222 2553	Caution Decal - Master Set	1
9	C223 4306	Invertor Guide Stay	1
10	C209 4307	Reverse Guide Plate	3
11	5324 1658	Bushing- 4x8x4.5mm	1
12	C209 4300	Counter Roller	1
13	H002 2226	Bushing	1
14	C209 4100	Upper Reverse Roller	1
15	H012 1181	Bushing- 6mm	2
16	C209 4105	Lower Reverse Roller	1
17	C209 4019	Plotter Middle Stay	1
18	C209 8239	Reverse Roller - Magnetic Clutch	1
19	C209 4114	Gear - 20/27Z	1
20	C223 4331	Duct Suppor Plate	1
21	C203 8137	Master Sensor	1
22	C222 8129	Sensor Relay Harness	1
23	C222 8208	Air Knife Motor	1
24	C223 4328	Duct Stay	1
25	C222 4336	Duct Cover	1
26	C222 8160	Thermal Head Drive Harness	1

Index No.	Part No.	Description	Q'ty Per Assembly
100	0313 0060Z	Philips Pan Head Screw - M3x6	
101	0720 0020Z	Retaining Ring - M2	
102	0720 0025Z	Retaining Ring - M2.5	
103	0720 0040Z	Retaining Ring - M4	
104	0964 4008Z	Tapping Screw W/washer - M4x8	
105	0313 0050Z	Philips Screw - 3x5	
106	0951 3008Z	Philips Screw With Flat Washer - M3	
107	0951 4006Z	Philips Screw With Flat Washer - M4	
108	1105 0144	Harness Clamp	
109	0313 0350Z	Pan Head Screw - M3x35	
110	0701 0030Z	Flat Washer - M3	
111	0313 0080Z	Philips Screw - 3x8	

33. MASTER EJECT SECTION 1 (C223)



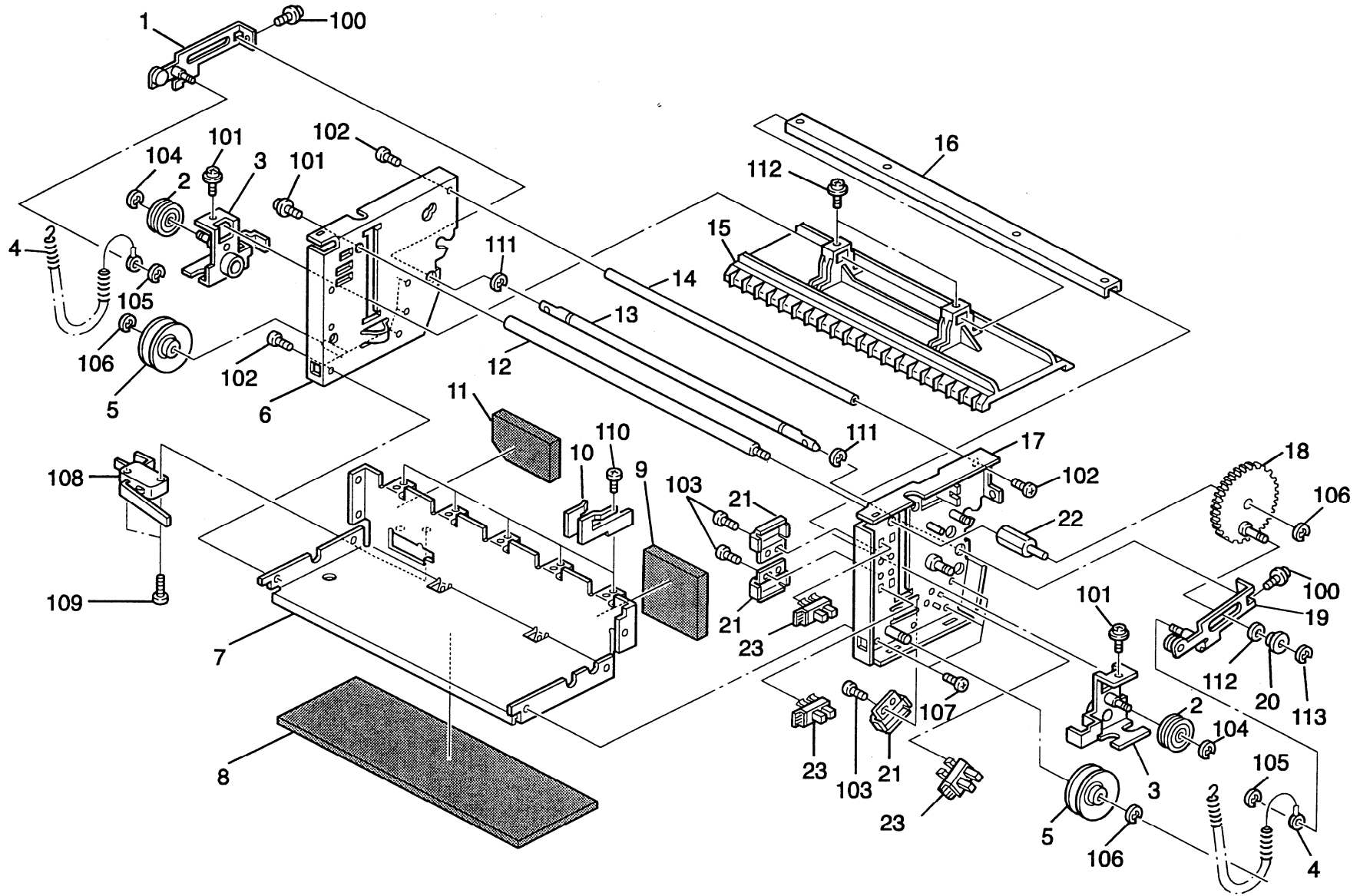
33. MASTER EJECT SECTION 1 (C223)

Index No.	Part No.	Description	Q'ty Per Assembly
1	C209 3545	Gear - 62Z	1
2	C200 3627	Gear - 30T	2
3	C200 3606	Coupled Gear - 62T & 20T	1
4	C207 3612	Timing Belt - B30S2M126	1
5	C207 3604	Pulley - 40Z	1
6	C200 3628	Gear - 20T	2
7	C223 8122	Master Exit Harness	1
8	C209 3516	Master Eject Stay	1
9	C209 3530	Sensor Cover - Master Eject	1
10	C209 3529	Sensor Bracket - Master Eject	1
11	C209 8117	Drum Master Detection Sensor	1
12	C209 8269	Master Eject Solenoid	1
13	C207 6125	Guide Plate Spring	1
14	C209 3661	Solenoid Plate	1
15	C200 3553	Solenoid Bracket	1
16	C200 3554	Solenoid Arm	1
17	5403 2075	Stepped Screw	1
18	C209 8260	Micro Motor - Master Eject	1
19	C201 3529	Lower Pulley Shaft	1
20	C207 3530	Upper Pulley Shaft	1
21	C200 3547	Pulley	10
22	C200 3529	Pulley Plate	2
23	5506 4608	Bushing - Paper Hold/down Roller -	6
24	C221 3519	Roller Arm	2
25	C201 3527	Pressure Spring	2
26	C209 3520	Separation Roller Bushing	2
27	C209 3522	1st Upper Eject Roller	1
28	C219 3545	Upper Belt	5
29	C219 3546	Lower Belt	5
30	C209 3524	1st Lower Eject Roller	1
31	C209 3550	Worm Gear - 16/50Z	1
32	C209 3551	Gear - 16/116Z	1
33	C209 3557	Bracket	1
34	C217 8447	DC Motor - 24V/7.2W	1
35	C209 3561	Master Eject Sensor	1

Index No.	Part No.	Description	Q'ty Per Assembly
36	C209 3521	Arm Connecting Shaft	1
37	C213 3561	Master Eject Sensor Bracket	1
100	0720 0040Z	Retaining Ring - M4	
101	0313 0030Z	Philips Pan Head Screw - M3x3	
102	0434 0060Z	Tapping Screw - M4x6	
103	0720 0030Z	Retaining Ring - M3	
104	0314 0050Z	Philips Pan Head Screw - M4x5	
105	0951 3006Z	Philips Screw With Flat Washer - M3	
106	0313 0050Z	Philips Pan Head Screw - M3x5	
107	0623 0120E	Spring Pin - M3x12	
108	0720 0050Z	Retaining Ring - M5	
109	0807 3041	Spring Washer	
110	0964 4008Z	Tapping Screw W/washer - M4x8	
111	0313 0030Z	Philips Pan Head Screw - M3x3	



34. MASTER EJECT SECTION 2 (C223)

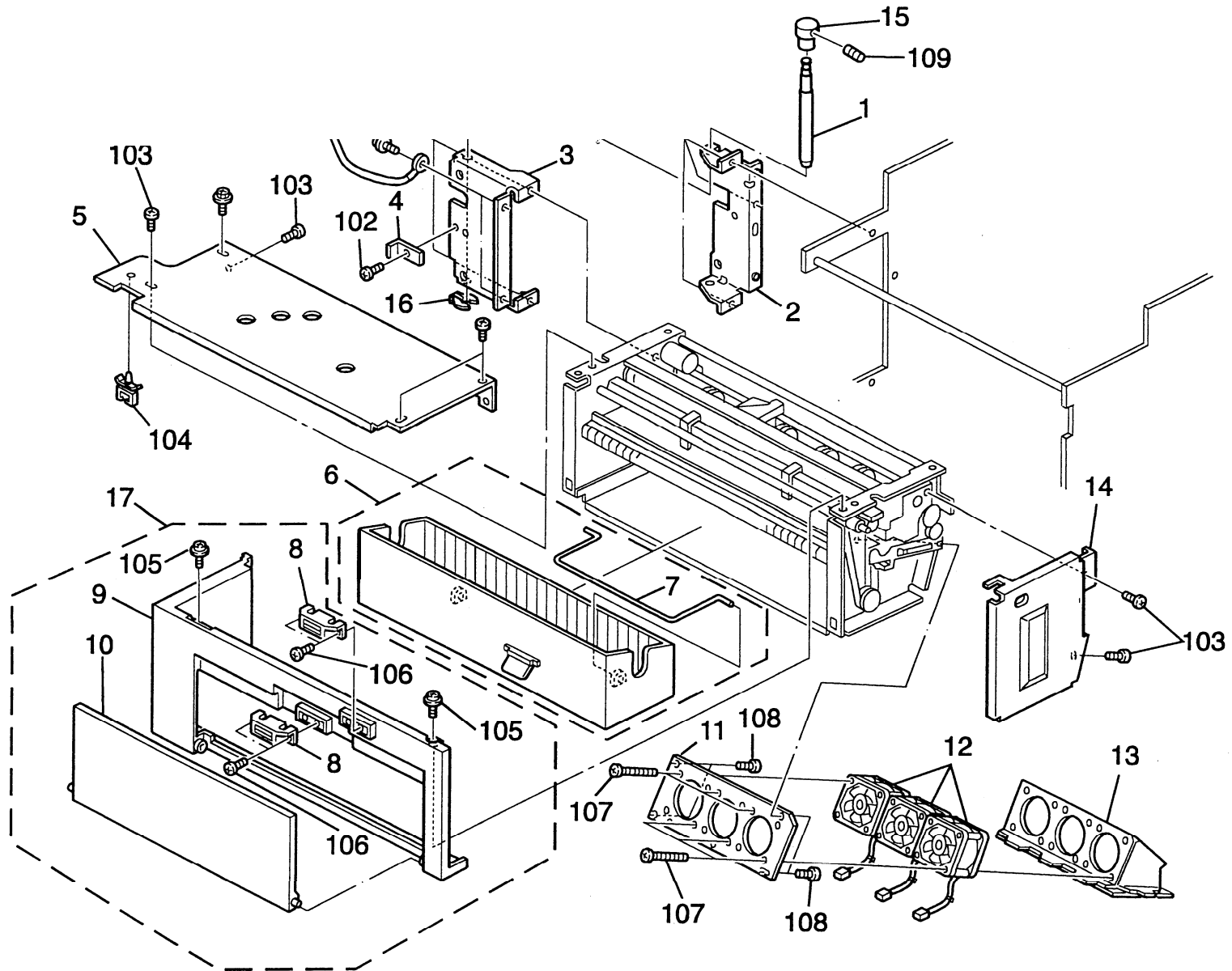


34. MASTER EJECT SECTION 2 (C223)

Index No.	Part No.	Description	Q'ty Per Assembly
1	C209 3543	Rear Pressure Arm	1
2	C209 3536	Pulley	2
3	C209 3533	Pressure Plate Arm	2
4	C221 3537	Pressure Spring	2
5	C200 3712	Pulley	2
6	C209 3512	Rear Side Plate	1
7	C209 3526	Bottom Plate - Master Eject Box	1
8	C209 2579	Lower Pad - Master Eject Box	1
9	C209 2581	Left Pad - Master Eject Box	1
10	C218 3532	Pulley Guide	5
11	C209 2580	Right Pad - Master Eject Box	1
12	C209 3642	Master Eject Stay - Large	1
13	C209 3539	Pressure Arm Shaft	1
14	C200 3508	Master Eject Stay - Small	1
15	C209 3531	Pressure Plate	1
16	C209 3532	Pressure Plate Shaft	1
17	C209 3501	Front Side Plate	1
18	C209 3554	Gear - 60Z	1
19	C209 3540	Front Pressure Arm	1
20	C209 3615	Spacer - 6x12x3	1
21	C209 3507	Master Eject Sensor Cover	3
22	C209 3643	Lock Stay	1
23	AW02 0075	Photointerrupter	3

Index No.	Part No.	Description	Q'ty Per Assembly
100	0960 4010Z	Philips Flange Screw - M4x10	
101	0960 4005Z	Philips Flange Screw - M4x5	
102	0314 0080Z	Philips Screw - 4x8	
103	0433 0060W	Tapping Screw - M3x6	
104	0720 0040Z	Retaining Ring - M4	
105	0720 0030Z	Retaining Ring - M3	
106	0720 0060Z	Retaining Ring - M6	
107	0434 0060Z	Tapping Screw - M4x6	
108	1204 1490	Micro Switch - V-53-1A3	
109	0313 0140Z	Philips Pan Head Screw - M3x14	
110	0314 0060Z	Philips Pan Head Screw - M4x6	
111	0720 0080Z	Retaining Ring - M8	
112	0807 4118	Flat Washer	
113	0720 0050Z	Retaining Ring - M5	

35. MASTER EJECT SECTION 3 (C223)

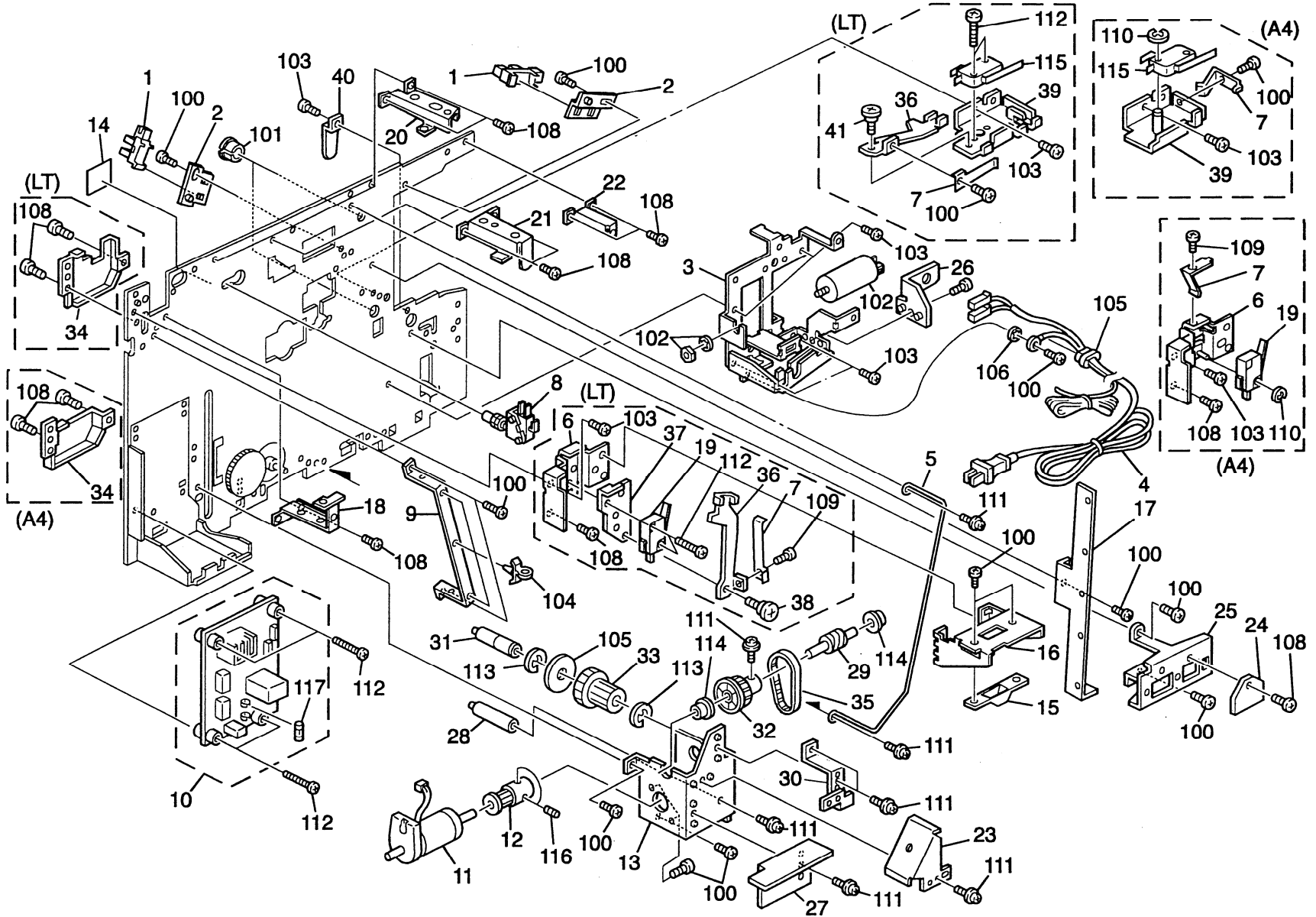


35. MASTER EJECT SECTION 3 (C223)

Index No.	Part No.	Description	Q'ty Per Assembly
1	C218 3505	Hinge Shaft	1
2	C209 3671	Master Eject Hinge	1
3	C219 3680	Master Eject Hinge - Small	1
4	C209 3675	Cover Bracket	1
5	C219 3768	Upper Inner Cover	1
6	C209 3558	Master Eject Box	1
7	C203 3511	Arm - MasterEject Box	1
8	AG07 0004	Magnetic Catch	2
9	C218 2460	Master Eject Cover	1
10	C218 2456	Master Eject Cover	1
11	C209 3574	Blower Fan Bracket	1
12	C222 8208	Air Knife Motor	1
13	C209 3571	Blower Duct	1
14	C219 3673	Inner Cover - Master Eject	1
15	C218 3506	Boss	1
16	C209 3133	Retaining Ring - M6	1
17	C219 2454	Master Eject Cover	1
18	C203 8204	Grounding Wire	1

Index No.	Part No.	Description	Q'ty Per Assembly
100	0434 0080Z	Tapping Screw - M4x8	
101	0964 4010Z	Tapping Screw W/washer - M4x10	
102	0314 0080Z	Philips Screw - 4x8	
103	0434 0060Z	Tapping Screw - M4x6	
104	1105 0108	Nylon Clip	
105	0965 3006Z	Tapping Screw With Flat Washer-M3x6	
106	0434 0062W	Pan Head Tapping Screw - M4x6	
107	0313 0350Z	Pan Head Screw - M3x35	
108	0314 0060Z	Philips Pan Head Screw - M4x6	
109	0574 0040E	Hexagon Headless Set Screw - M4x4	

36. ELECTRICAL SECTION 1 (C223)

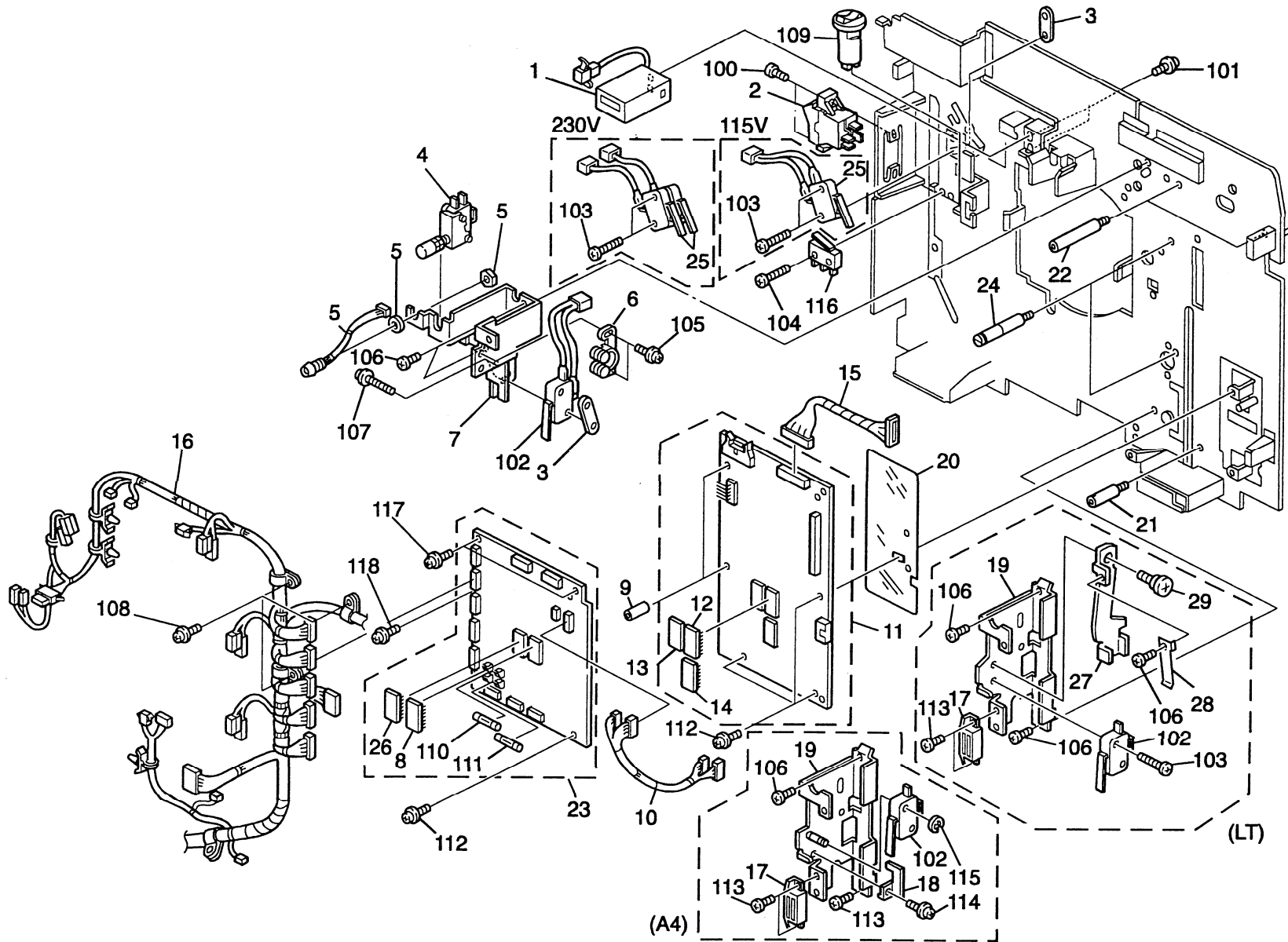


36. ELECTRICAL SECTION 1 (C223)

Index No.	Part No.	Description	Q'ty Per Assembly
1	AW02 0021	Photointerruptor - 175487-3	2
2	C209 2306	Drum Sensor Bracket	2
3	C219 2104	Right Grip - Master Eject	1
4	C218 8242	Power Supply Cord - 115V	1
4	C218 8252	Power Supply Cord - 230V	1
5	C203 8095	Upper Harness Supporter	1
6	C221 2004	Switch Bracket (A4)	1
6	C218 2070	Safety Switch Bracket - LT	1
7	C200 3123	Support Plate - Safety Switch (A4)	1
7	C218 2173	Support Plate - Safety Switch - LT	1
8	C219 8174	Microswitch	1
9	C209 2169	Harness Bracket	1
10	C223 8058	AC Drive Board - 120V	1
10	C223 8064	AC Drive Board - 230V	1
11	C223 8213	DC Motor	1
12	C223 5097	Worm Wheel	1
13	C223 5093	Lift Motor Bracket	1
14	C203 2759	Master Cutter Decal	1
15	C222 2020	Scanner Stopper	1
16	C218 2015	Rear Scanner Stopper Bracket	1
17	C209 2130	Safety Cover	1
18	C218 2022	Rear Cover Left Bracket	1
19	C219 8296	Safety Switch	1
20	C218 2014	Rear Left Upper Bracket	1
21	C218 2013	Rear Center Upper Bracket	1
22	C218 2012	Rear Right Upper Bracket	1
23	C223 5092	Lifting Gear Cover	1
24	C221 2124	Cap	1
25	C221 2128	Support Bracket	1
26	C221 6115	Delivery Table Bracket	1
27	C223 5090	Motor Bracket	1
28	C223 5091	Gear Shaft	1
29	C223 5095	Worm Wheel	1
30	C223 5098	Support Gear Bracket	1
31	C223 5099	Worm Gear Shaft	1

Index No.	Part No.	Description	Q'ty Per Assembly
32	C223 5126	Timing Pulley	1
33	AB03 0216	Pulley - 15Z	1
34	C221 2028	Switch Cover Bracket	1
34	C218 2072	Safety Switch Cover - LT	1
35	C218 3073	Timing Belt - B60S2M126	1
36	C218 2172	Safety Switch Lever - LT	2
37	C218 2071	Safety Swtich Stopper - LT	1
38	C201 5125	Shoulder Screw - M4	1
39	C218 2171	Safety Switch Bracket - Eject Box (115V)	1
39	C210 2171	Safety Switch Bracket - Eject Box (230V)	1
40	C203 2128	AC Drive Board Cover	1
41	C217 4426	Shoulder Screw	1
100	0314 0080Z	Philips Screw - 4x8	
101	1106 0430	Bushing - 13mm	
102	1602 0991	Noise Filter - 115V	
102	1607 0742	Noise Filter - 230V	
103	0434 0080Z	Tapping Screw - M4x8	
104	1105 0046	Harness	
105	0807 7064	Spacer	
106	0705 0040B	Toothed Washer	
108	0314 0060Z	Philips Pan Head Screw - M4x6	
109	0313 0060Z	Philips Pan Head Screw - M3x6	
110	0720 0020Z	Retaining Ring - M2	
111	0960 4008Z	Flange Head Screw - 4 X 8	
112	0314 0160Z	Philips Pan Head Screw - M4x16	
113	0720 0120Z	Retaining Ring - M12	
114	0741 3706	Ball Bearing - 6x10x3	
115	1204 41442	Microswitch	
116	0574 0040E	Hexagon Headless Set Screw - M4x4	
117	1107 0354	Fuse - 3.15A 125V	

37. ELECTRICAL SECTION 2 (C223)

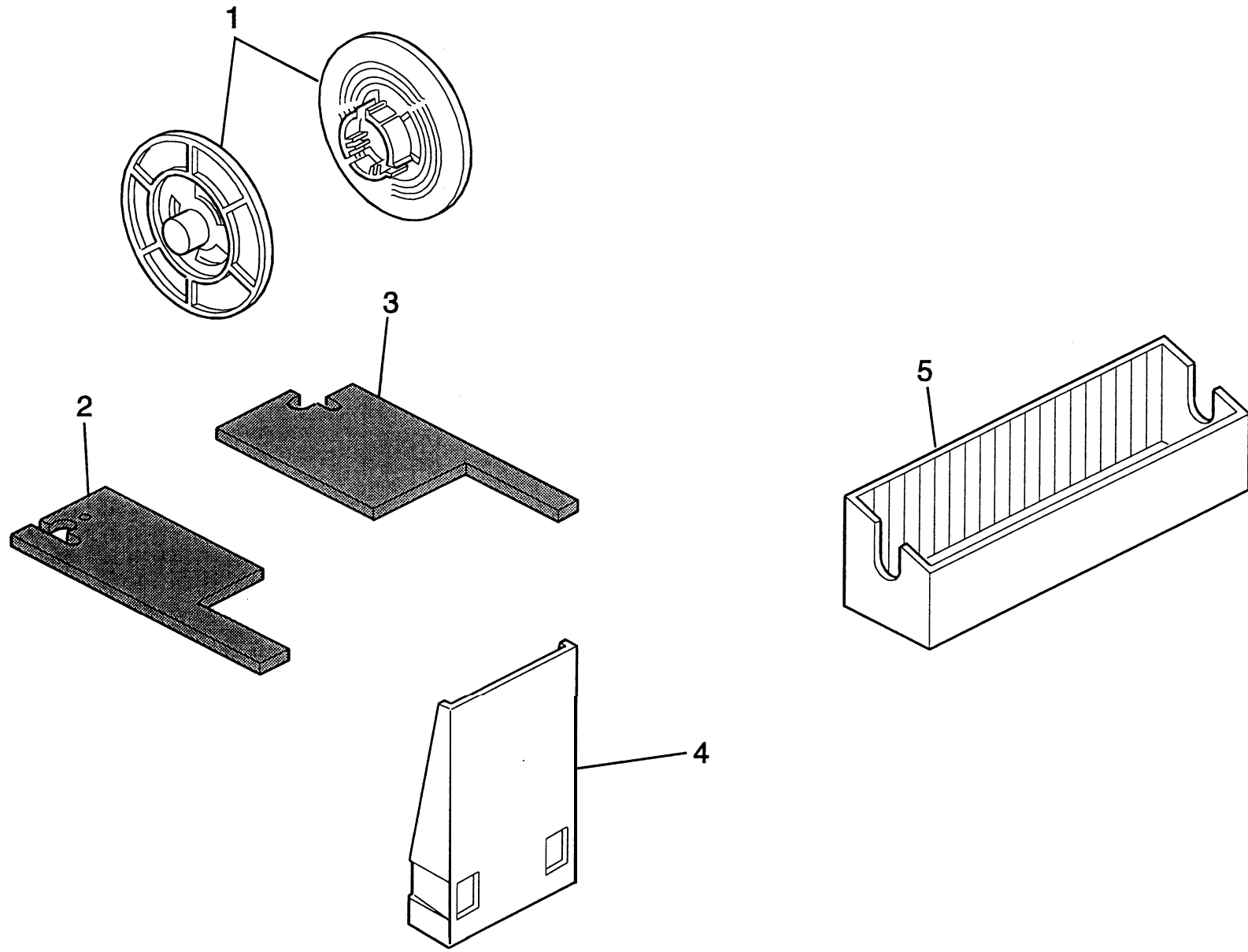


37. ELECTRICAL SECTION 2 (C223)

Index No.	Part No.	Description	Q'ty Per Assembly
1	C200 8446	Copy Counter	1
2	C209 8276	Main Switch	1
3	5056 0509	Nut Plate - Microswitch	2
4	C219 8171	Microswitch	1
5	C209 8278	LED - Drum	1
6	C209 2469	Door Catch	1
7	C219 2418	Push Switch Bracket	1
8	C223 8045	UVEPROM 512KX8 150NS	1
9	C218 2051	Main Board Spacer	2
10	C222 8127	Plotter Unit Harness	1
11	C223 8016	Image Processing Board	1
12	C223 8005	UVEPROM 256K X8 150NS	1
13	C223 8006	UVEPROM 256K X8 150NS	1
14	C223 8004	UVEPROM 256K X8 150NS	1
15	C222 8157	Thermal Head Harness	1
16	C223 8208	DC Drive Harness (230V)	1
16	C223 8111	DC Drive Harness (115V)	1
17	AG07 0004	Magnetic Catch	1
18	C200 3755	Plate Spring	1
19	C219 2419	Safety Switch Bracket	1
20	C218 5094	Insulating Sheet	1
21	C200 2596	Main Board Stud - Long	1
22	C218 2052	Stud - Main Control Board	1
23	C223 8042	Main Control Board	1
24	C223 2054	IPU Board Stud	2
25	C219 8296	Safety Switch	1
26	C223 8047	UVEPROM 512K X8 150NS	1
27	C218 2172	Safety Switch Lever - LT	1
28	C218 2173	Support Plate - Safety Switch - LT	1
29	C218 2185	Stepper Screw	1

Index No.	Part No.	Description	Q'ty Per Assembly
100	0313 0060Z	Philips Pan Head Screw - M3x6	
101	0951 3004Z	Philips Screw With Flat Washer-M3x4	
102	1204 1490	Micro Switch - V-53-1A3	
103	0313 0140Z	Philips Pan Head Screw - M3x14	
104	0800 0084	Philips Pan Head Screw - M2.3x12	
105	0951 3012Z	Philips Screw W/h Flat Washer-M3x12	
106	0434 0080Z	Tapping Screw - M4x8	
107	0960 4010Z	Philips Flange Screw - M4x10	
108	0960 4008Z	Flange Head Screw - 4 X 8	
109	1107 0788	Circuit Breaker - 6A	
109	1107 0782	Circuit Breaker - 5A	
110	1107 0411	Fuse - 2A 125V	
111	1107 0415	Fuse 5A	
112	0951 3006Z	Philips Screw With Flat Washer - M3	
113	0314 0080Z	Philips Screw - 4x8	
114	0960 3006B	Philips Flange Screw - M3 X 6	
115	0720 0020Z	Retaining Ring - M2	
116	1204 2267	Micro Switch - V-162-3C25	
117	0951 3008Z	Philips Screw With Flat Washer - M3	

38. ACCESSORIES AND SPECIAL TOOLS (C223)

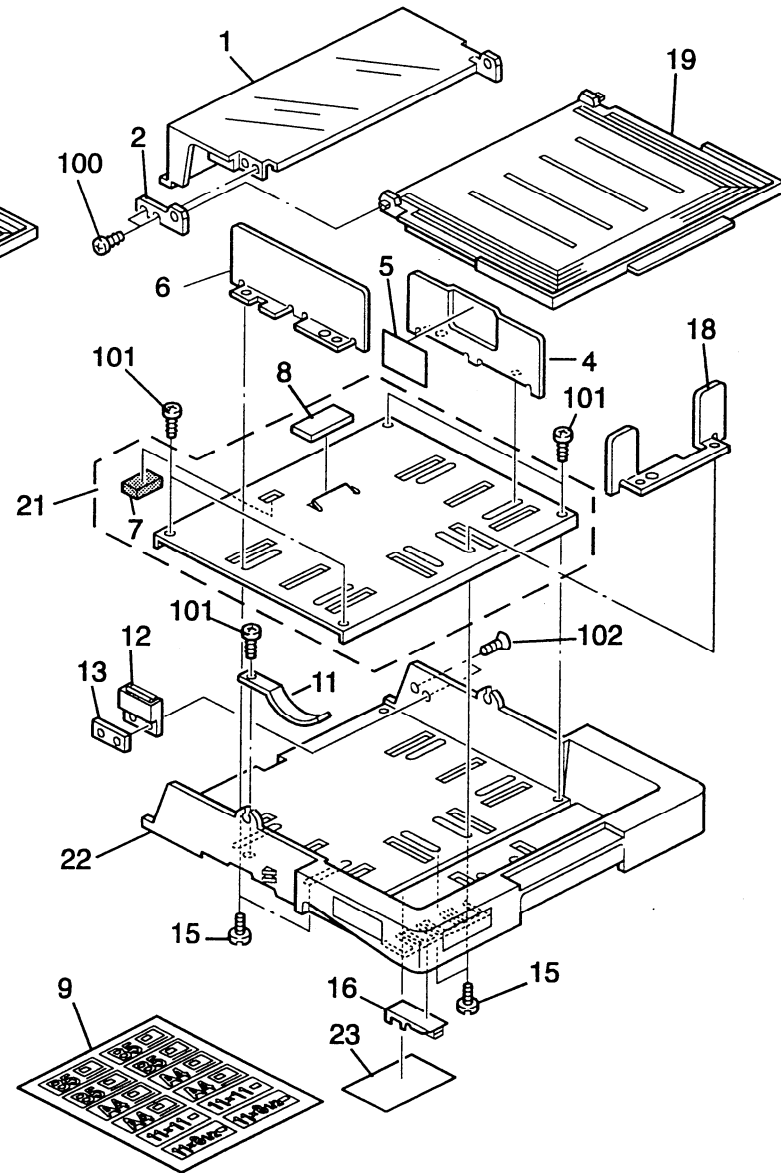
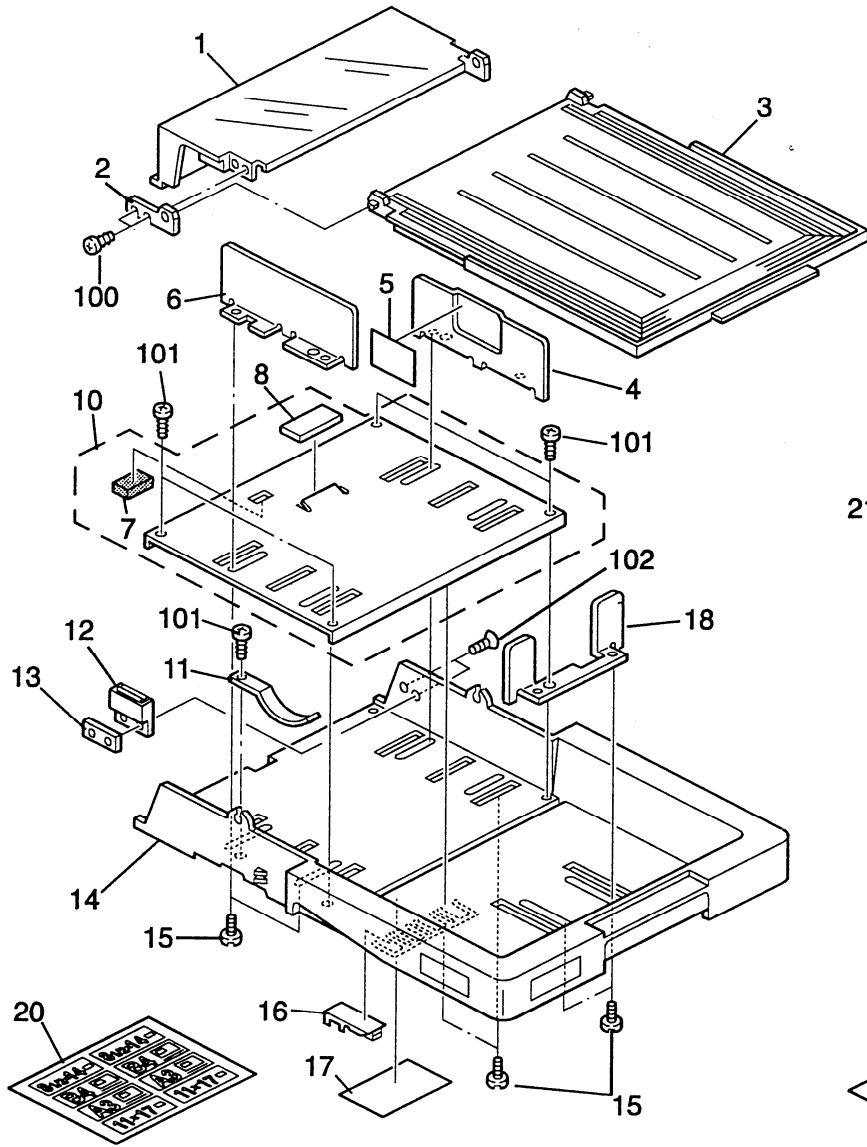


38. ACCESSORISE ANDSPECIAL TOOLS (C223)

Index No.	Part No.	Description	Q'ty Per Assembly
1	C218 4230	Master Flange	1
2	C223 2551	Base Pad - Front	1
3	C223 2553	Base Pad - Rear	1
4	C223 6183	End Plate	1
5	C209 3558	Master Eject Box	1

Index No.	Part No.	Description	Q'ty Per Assembly

39. CASSETTE (C223)



39. CASSETTE (C223)

Index No.	Part No.	Description	Q'ty Per Assembly
1	C209 5152	Cover Stopper - Large	1
2	C522 2417	Cover Stopper Supporter	1
3	C530 5012	Cassette Cover - Large	1
4	C209 5175	Side Frame	1
5	AA00 2010	Decal - Paper Level	1
6	C522 2431	Side Fence	1
7	C522 2423	Cushion Seal - 10x19	1
8	5507 6828	Rubber Plate - Feed Table	1
9	C218 5181	Decal - Paper Size - Small	1
10	C209 5155	Bottom Plate - Large	1
11	C522 2434	Grounding Plate	1
12	C200 3053	Magnet Catch	1
13	C522 2433	Plate Nut	1
14	C218 5151	Cassette Body - Large	1
15	C522 2435	Screw - M3	6
16	C218 5171	Magnet Holder	1
17	C218 5182	Decal - Magnet - Large	1
18	C522 2432	Rear Fence	1
19	5290 5012	Cassette Cover - Small	1
20	C218 5180	Decal - Paper Size - Large	1
21	C209 5162	Bottom Plate - Small	1
22	C218 5164	Cassette Body - Small	1
23	C218 5183	Decal - Magnet - Small	1

Index No.	Part No.	Description	Q'ty Per Assembly
100	0433 0082Z	Tapping Screw - M3x8	
101	0413 0052Z	Tapping Screw - M3x5	
102	0323 0060Z	Philips Sunk Screw - M3x6	

40. MAIN CONTROL BOARD (C223)

CAPACITOR

SYMBOL NO.	INDEX NO.	SYMBOL NO.	INDEX NO.	SYMBOL NO.	INDEX NO.	SYMBOL NO.	INDEX NO.	SYMBOL NO.	INDEX NO.	SYMBOL NO.	INDEX NO.
C101	216	C111	218	C121	212	C131	168	C141	216	C151	216
C102	169	C112	218	C122	212	C132	168	C142	215	C152	218
C103	164	C113	164	C123	214	C133	168	C143	216	C153	216
C1(M	217	C114	170	C124	216	C134	168	C144	215	C154	215
C105	216	C115	215	C125	216	C135	216	C145	216	C155	216
C106	216	C116	166	C126	169	C136	216	C146	217	C156	216
C107	169	C117	213	C127	167	C137	216	C147	216	C157	216
C108	213	C118	215	C128	167	C138	216	C148	165	C158	216
C109	164	C119	212	C129	169	C139	216	C149	165	C159	216
C110	216	C120	212	C130	216	C140)	216	C150	216	C160	216

CONNECTOR

SYMBOL NO.	INDEX NO.	SYMBOL NO.	INDEX NO.	SYMBOL NO.	INDEX NO.	SYMBOL NO.	INDEX NO.	SYMBOL NO.	INDEX NO.		
C161	216	C171	216	C181	216	CN101	106	CN111	113	D101	125
C162	216	C172	216	C182	217	CN102	110	CN112	102	D102	125
C163	216	C173	216	C183	216	CN103	108	CN113	103	D103	125
C164	215	C174	216			CN104	107	CN114	112	D104	125
C165	216	C175	215			CN105	106	CN116	105	D105	128
C166	216	C176	216			CN106	106			D106	128
C167	216	C177	215			CN107	104			D107	128
C168	216	C178	216			CN108	109			D108	128
C169	219	C179	216			CN109	111			D109	128
C170	216	C180	216							D110	128

40. MAIN CONTROL BOARD (C223)

DPS

SYMBOL NO.	INDEX NO.
DPS101	119
DPS102	120

FIL

SYMBOL NO.	INDEX NO.
FIL101	173
FIL102	173
FIL103	173
FIL104	173
FIL105	173
FIL106	173
FIL107	173
FIL108	173
FIL109	173
FIL110	173

SYMBOL NO.	INDEX NO.
FIL111	173
FIL112	173
FIL113	173
FIL114	173
FIL115	172
FIL116	172
FIL117	172
FIL118	172
FIL119	172
FIL120	172

SYMBOL NO.	INDEX NO.
FIL121	172
FIL122	172
FIL123	173
FIL124	173
FIL125	172
FIL126	173
FIL127	173

SYMBOL NO.	INDEX NO.
D111	128
D112	128
D113	125
D114	125
D115	125
D116	129
D117	129
D118	129
D119	129
D120	129

SYMBOL NO.	INDEX NO.
D121	129
D122	129
D123	125

FUSE

SYMBOL NO.	INDEX NO.
FU101	115
FU101	117
FU102	115
FU102	118

IC

SYMBOL NO.	INDEX NO.
IC103	127
IC104	123
IC105	123
IC107	150
IC110	151
IC112	152
IC113	152
IC116	142
IC118	114
IC120	131

SYMBOL NO.	INDEX NO.
IC121	124
IC123	116
IC124	116
IC126	151
IC129	126
IC131	124
IC137	153

L

SYMBOL NO.	INDEX NO.
L101	171

LED

SYMBOL NO.	INDEX NO.
LED101	130
LED102	130
LED103	130
LED104	130
LED105	130
LED106	130

OSC

SYMBOL NO.	INDEX NO.
OSC101	154

Q

SYMBOL NO.	INDEX NO.
Q101	122
Q102	121

RAY

SYMBOL NO.	INDEX NO.
RAY101	158
RAY102	158
RAY103	155
RAY104	155
RAY105	155
RAY106	155
RAY107	156
RAY108	157
RAY109	156
RAY110	159

SYMBOL NO.	INDEX NO.
RAY111	159
RAY112	155
RAY113	157
RAY114	155
RAY115	155
RAY116	155
RAY117	155
RAY118	155
RAY119	155

RESISTOR

SYMBOL NO.	INDEX NO.
R101	174
R102	197
R103	193
R104	193
R105	193
R106	193
R107	176
R108	176
R109	198
R110	198

SYMBOL NO.	INDEX NO.
R111	193
R112	193
R113	193
R114	193
R115	193
R116	193
R117	177
R118	177
R119	207
R120	183

SYMBOL NO.	INDEX NO.
R121	193
R122	194
R123	194
R124	207
R125	183
R126	179
R127	177
R128	177
R129	186
R130	186

SYMBOL NO.	INDEX NO.
R131	197
R132	179
R133	186
R134	192
R135	186
R136	186
R137	179
R138	186
R139	179
R140	199

SYMBOL NO.	INDEX NO.
R141	190
R142	180
R143	197
R144	179
R145	179
R146	179
R147	179
R148	197
R149	198
R150	200

SYMBOL NO.	INDEX NO.
R151	200
R152	175
R153	187
R154	187
R155	187
R156	180
R157	204
R158	201
R159	210
R160	209

SYMBOL NO.	INDEX NO.
R161	208
R162	211
R163	189
R164	182
R165	180
R166	201
R167	178
R168	207
R169	183
R170	207

SYMBOL NO.	INDEX NO.
R171	205
R172	183
R173	207
R174	205
R175	183
R176	207
R177	205
R178	183
R180	203

SYMBOL NO.	INDEX NO.
R181	193
R182	205
R183	193
R184	205
R185	193
R186	185
R187	196
R188	180
R189	180
R190	180

40. MAIN CONTROL BOARD (C223)

SYMBOL NO.	INDEX NO
R191	180
R192	198
R193	180
R194	202
R195	198
R196	201
R197	180
R198	192
R199	182
R200	206

SYMBOL NO.	INDEX NO.
R201	184
R202	198
R203	179
R204	191
R205	188
R206	181
R207	179
R208	179
R209	179
R210	179

SYMBOL NO.	INDEX NO.
R211	180
R212	188
R213	195
R214	200
R215	193
R216	198
R217	198
R218	198
R219	198
R220	198

SYMBOL NO.	INDEX NO.
R221	198
R222	198
R223	198
R224	198
R225	198

TP

SYMBOL NO.	INDEX NO.
TP101	101
TP102	101
TP103	101
TP104	101
TP105	101
TP106	101
TP107	101

VR

SYMBOL NO.	INDEX NO.
VR101	162
VR102	163
VR103	162
VR104	163
VR105	160
VR106	161

40. MAIN CONTROL BOARD (C223)

Index No.	Part No.	Description	Q'ty Per Assembly
*	C223 8042	Main Control Board	1
1	C223 8045	UVEPROM 512K X8 150NS	1
2	C223 8047	UVEPROM 512K X8 150NS	1
101	1101 0328	Connector Pin Contact	
102	1102 4202	Connector - 3p	
103	1102 4497	Connector - 13p	
104	1102 4818	Connector - 20p	
105	1102 4819	Connector - 22p	
106	1102 4823	Connector - 30p	
107	1102 5219	Connector - 28p	
108	1102 5221	Connector - 26p	
109	1102 5561	Connector - 20p	
110	1102 5563	Connector - 24p	
111	1102 6593	Connector - 9p	
112	1102 7036	Connector - 30p	
113	1102 7290	Connector - 5p	
114	1104 0239	Lsi Socket - 24p	
115	1104 0351	Fuse Holder	
116	1104 0588	Dip Socket - 28p	
117	1107 0413	Fuse 3A	
118	1107 0415	Fuse 5A	

Index No.	Part No.	Description	Q'ty Per Assembly
119	1204 1015	Dip Switch	
120	1204 1481	Dip Switch	
121	1400 0403	Transistor - 2SC1623I6	
122	1400 0455	Transistor - 2SC2873Y	
123	1401 0398	IC - STA402A	
124	1401 0400	Transistor Array - SLA4060	
125	1401 0835	Diode - 1SS190	
126	1401 0876	IC - PA2003GR	
127	1401 0877	IC - TD62083F	
128	1402 0476	Diode - 1SS184	
129	1402 1263	Diode - 200v - 1A	
130	1403 0669	Red LED - SLM-13VW	
131	1407 1535	IC - TD62308AP	
132	1407 2187	IC - SN74LS07NS	
133	1407 2218	TTLIC - SN74LS06NS	
134	1407 2273	IC - TA8050P	
135	1407 2348	IC - TC4051BF	
136	1407 2413	IC - SN74LS138M	
137	1407 2417	TTL - IC - SN74LS240M	
138	1407 2746	IC - CXD1095Q	
139	1407 2855	Switch - TC4S66F	
140	1407 3492	CPU -78C10AGF	
141	1407 3701	IC - TMP82C79M-2	
142	1407 3885	IC - UPD71054GB-10-3B4	
143	1407 4127	IC - TL7705ACPS	
144	1407 4192	IC - SN74LS244M	
145	1407 4234	IC - SN74LS373M	
146	1407 4360	TTL - SN74LS11M	
147	1407 4371	IC - SN74LS145M	
148	1407 4565	IC - TE6251	
149	1408 0604	IC - UPC393G2	
150	1408 0790	IC - UPC324G	
151	1408 0879	IC - IR9358N	
152	1408 0880	IC - IR2339N	
153	1408 1104	IC - MB2803PF-G	

Index No.	Part No.	Description	Q'ty Per Assembly
154	1503 0570	Oscillator - 15mhz	
155	1601 7374	Resistor Array - 4.7K Ω	
156	1601 7376	Resistor Array - 10K Ω $\pm 5\%$ 1/8W	
157	1601 7377	Resistor Array - 15K Ω $\pm 5\%$ 1/8W	
158	1601 7396	Resistor Array - 4.7K Ω	
159	1601 7404	Resistor Array - 10K Ω 1/2W	
160	1601 8145	Variable Resistor - 5K Ω 0.5W	
161	1601 8156	Variable Resistor - 2K Ω 0.5W	
162	1601 8157	Variable Resistor - 100K Ω	
163	1601 8186	Variable Resistor - 200K Ω	
164	1604 2089	Capacitor - 1.0 μ F 1/8W $\pm 20\%$	
165	1606 1981	Capacitor - 0.0033 μ F $\pm 5\%$	
166	1606 1983	Capacitor - 0.015 μ F $\pm 5\%$ 50V	
167	1606 1984	Capacitor - 0.022 μ F $\pm 5\%$ 50V	
168	1606 1985	Capacitor - 0.033 μ F $\pm 5\%$ 50V	
169	1606 1986	Capacitor - 0.1 μ F $\pm 5\%$ 16V	
170	1606 2028	Capacitor - 0.22 μ F $\pm 5\%$	
171	1607 0001	Coil - SN-8S-500	
172	1607 0280	Inductor - BLM41	
173	1607 0477	Inductor - BLM21A05	
174	1611 4221	Resistor - 220 Ω 1/4T $\pm 5\%$	
175	1611 6361	Resistor - 360 Ω 1/8T $\pm 5\%$	
176	1611 6470	Resistor - 47 Ω 1/2T $\pm 5\%$	
177	1630 2101	Resistor - 100 Ω 1/8W	
178	1630 2221	Resistor - 220 Ω	
179	1630 3102	Resistor - 1K Ω 1/10W $\pm 5\%$	
180	1630 3103	Resistor - 10K Ω 1/10W $\pm 5\%$	
181	1630 3124	Resistor - 120 Ω $\pm 5\%$ 1/10W	
182	1630 3133	Resistor - 13K Ω $\pm 5\%$ 1/10W	
183	1630 3151	Resistor - 150K Ω $\pm 5\%$ 1/10W	
184	1630 3154	Resistor - 150K 0HM $\pm 5\%$ 1/10W	
185	1630 3203	Resistor - 20 Ω $\pm 5\%$ 1/10W	
186	1630 3222	Resistor - 2.2K Ω 1/10W $\pm 5\%$	
187	1630 3223	Resistor - 22k Ω - 1/10W	

Index No.	Part No.	Description	Q'ty Per Assembly
188	1630 3242	Resistor - 2.4K Ω $\pm 5\%$ 1/10W	
189	1630 3243	Resistor - 24K Ω $\pm 5\%$ 1/10W	
190	1630 3244	Resistor - 240K Ω $\pm 5\%$ 1/10W	
191	1630 3302	Resistor - 3k Ω - 1/10W	
192	1630 3303	Resistor - 30K Ω $\pm 5\%$ 1/10W	
193	1630 3332	Resistor - 3.3K Ω 1/10W $\pm 5\%$	
194	1630 3333	Resistor - 33K Ω $\pm 5\%$ 1/10W	
195	1630 3391	Resistor - 390 Ω 1/10W $\pm 5\%$	
196	1630 3393	Resistor - 39K Ω 1/10W	
197	1630 3471	Resistor - 470 Ω - 1/10W	
198	1630 3472	Resistor - 4.7K Ω 1/10W $\pm 5\%$	
199	1630 3473	Resistor - 47K Ω 1/10W $\pm 5\%$	
200	1630 3511	Resistor - 510 Ω 1/10W $\pm 5\%$	
201	1630 3513	Resistor - 51K Ω $\pm 5\%$ 1/10W	
202	1630 3514	Resistor - 510K Ω $\pm 5\%$ 1/10W	
203	1630 3562	Resistor - 5.6K Ω $\pm 5\%$ 1/10W	
204	1630 3682	Resistor - 6.8k Ω - 1/10W	
205	1630 3683	Resistor - 68K Ω $\pm 5\%$ 1/10W	
206	1630 3823	Resistor - 82K Ω $\pm 5\%$ 1/10W	
207	1630 3824	Resistor - 820K Ω $\pm 5\%$ 1/10W	
208	1633 3601	Resistor - 3.6K Ω $\pm 5\%$ 1/10W	
209	1633 4121	Resistor - 4.12K Ω $\pm 1\%$	
210	1633 4991	Resistor - 4.99K Ω $\pm 1\%$	
211	1633 6041	Resistor - 6.04K Ω $\pm 1\%$	
212	1640 2101	Capacitor - 100 μ F $\pm 20\%$ 25V	
213	1640 5100	Capacitor - 10MICROF $\pm 20\%$ 50V	
214	1640 5221	Capacitor - 220 μ F $\pm 20\%$ 50V	
215	1660 3101	Capacitor - 100PF 50V	
216	1660 3102	Capacitor - 1000PF $\pm 5\%$ 50V	
217	1660 3151	Capacitor - 150PF $\pm 5\%$ 50V	
218	1660 5103	Capacitor - 10000PF $\pm 10\%$ 50V	
219	1660 9104	C - 0.1 μ F 25V	

41. AC DRIVE BOARD (C223)

CAPACITOR

SYMBOL NO.	INDEX NO.
C301	131
C303	130
C306	129

CONNECTOR

SYMBOL NO.	INDEX NO.
CN301	106
CN302	107
CN303	104
CN304	105

DIODE

SYMBOL NO.	INDEX NO.
D301	122
D303	117
D304	117
D306	117
D307	119
D308	119
D309	119
D310	119

CR

SYMBOL NO.	INDEX NO.
CR303	128
CR304	128

FUSE

SYMBOL NO.	INDEX NO.
FU301	111
FU301	(EU) 134
FU301-1	108

IC

SYMBOL NO.	INDEX NO.
IC301	125

PC

SYMBOL NO.	INDEX NO.
PC301	123

M

SYMBOL NO.	INDEX NO.
M301	118

Q

SYMBOL NO.	INDEX NO.
Q301	115
Q302	116

RA

SYMBOL NO.	INDEX NO.
RA301	113
RA302	112
RA303	114
RA305	112

RESISTOR

SYMBOL NO.	INDEX NO.
R301	126
R302	126
R303	132
R304	132
R305	133

ST

SYMBOL NO.	INDEX NO.
ST301	121

ZD

SYMBOL NO.	INDEX NO.
ZD301	120
ZD302	120

Z

SYMBOL NO.	INDEX NO.
Z301	124

41. AC DRIVE BOARD (C223)

Index No.	Part No.	Description	Q'ty Per Assembly
*	C223 8058	AC Drive Board - 120V	1
*	C223 8064	AC Drive Board - 230V	1

Index No.	Part No.	Description	Q'ty Per Assembly
104	1102 2402	Connector - 4p	
105	1102 4201	Connector - 2p	
106	1102 4204	CT Header - 5p	
107	1102 4206	Connector - 7p	
108	1104 0351	Fuse Holder	
111	1107 0354	Fuse - 3.15A 125V	
112	1208 1245	Relay - DC24V	
113	1208 1263	Relay - AC100V	
114	1208 1317	Relay - DC24V	
115	1400 0072	Transistor - 2SC37Y	
116	1400 0234	Transistor - 2SA673A-C	
117	1401 0611	Diode - IS1588	
118	1401 0870	FET 2SK724	
119	1402 0110	Silicon Diode - 200V-1.7A (R.M.S)	
120	1402 0452	Zener Diode - RD18FB	
121	1402 0646	Diode - S5VB20	
122	1402 1204	Diode - 5A 800V	
123	1403 0519	Photocoupler - TLP621	
124	1404 0135	Varistor - 270V	
125	1408 0827	IC - TA8429H	
126	1600 1522	Resistor - 6.8K Ω 7W \pm 20%	
127	1600 1523	Resistor - 1 Ω 10W \pm 10%	
128	1602 1501	Resistor - 120 Ω 0.1 μ F	
129	1604 1382	Capacitor - 10 μ F 50V	
130	1604 2359	Capacitor - 100 μ F DC50V \pm 20%	
131	1604 2621	Capacitor - 330 μ F \pm 20%	
132	1611 4152	Resistor - 1.5K Ω 1/4T \pm 5%	
133	1611 4512	Resistor - 5.1K Ω 1/4T \pm 5%	

42. IMAGE PROCESSING BOARD (C223)

CAPACITOR

SYMBOL NO.	INDEX NO.	SYMBOL NO.	INDEX NO.	SYMBOL NO.	INDEX NO.	SYMBOL NO.	INDEX NO.	SYMBOL NO.	INDEX NO.	SYMBOL NO.	INDEX NO.
C401	120	C411	122	C421	122	C431	122	C441	122	C451	122
C402	122	C412	122	C422	122	C432	121	C442	122	C452	122
C403	124	C413	122	C423	122	C433	121	C443	122	C453	122
C404	124	C414	121	C424	122			C444	122	C454	122
C405	124	C415	122	C425	121	C435	122	C445	122	C455	122
C406	124	C416	122	C426	122	C436	123	C446	122	C456	122
C407	124	C417	122	C427	121	C467	122	C447	122	C457	122
C408	124	C418	124	C428	121	C438	122	C448	122	C458	122
C409	122	C419	122	C429	122	C439	122	C449	122	C459	122
C410	122	C420	124	C430	122	C440	124	C450	122	C460	124

CONNECTOR

SYMBOL NO.	INDEX NO.	SYMBOL NO.	INDEX NO.	SYMBOL NO.	INDEX NO.
C461	124	C471	122	C481	122
C462	122	C472	122	C482	122
C463	122	C473	124	C483	122
C465	122	C475	124	C484	122
C466	124	C476	124	C485	122
C467	122	C477	122	C486	122
C468	122	C478	122	C487	122
C469	124	C479	122	C488	122
C470	122	C480	122	C489	122
				C490	122

SYMBOL NO.	INDEX NO.
CN401	102
CN402	104
CN403	103
CN404	105
CN405	106

FIL

SYMBOL NO.	INDEX NO.	SYMBOL NO.	INDEX NO.
FIL401	115	FIL411	115
FIL402	115	FIL412	115
FIL403	115	FIL413	115
FIL404	115	FIL414	115
FIL405	115	FIL415	115
FIL406	115	FIL416	115
FIL407	115	FIL417	115
FIL408	115	FIL418	115
FIL409	115	FIL419	115
FIL410	115	FIL420	115

42. IMAGE PROCESSING BOARD (C223)

IC

SYMBOL NO.	INDEX NO.
FIL421	115

SYMBOL NO.	INDEX NO.
IC401	109
IC402	112
1C403	126
IC404	126
1C405	111
IC406	1
IC407	126
IC408	4
IC409	113
IC410	126

SYMBOL NO.	INDEX NO.
IC411	2
IC412	5
1C413	126
IC414	126
1C415	126
IC416	126
IC417	126
IC418	126
IC419	126
IC420	108

SYMBOL NO.	INDEX NO.
IC421	126
1C422	110
1C423	107
IC424	107
IC425	126
IC426	111
IC428	6
IC430	3

SYMBOL NO.	INDEX NO.
IC431	126
IC437	126
IC438	126
IC439	126
IC440	111

RESISTOR

SYMBOL NO.	INDEX NO.
R401	118
R402	117
R403	116
R404	117
R405	117
R406	116
R407	116
R408	117
R409	117
R410	116

SYMBOL NO.	INDEX NO.
R411	117
R412	117
R414	117
R415	117
R416	116
R417	116
R418	117
R419	117
R420	117

SYMBOL NO.	INDEX NO.
R421	117
R422	119
R423	118
R424	118
R425	119
R426	117
R427	117
R428	118
R429	118
R430	117

SYMBOL NO.	INDEX NO.
R431	119
R432	117
R433	117
R434	117
R435	117
R436	117
R437	117
R438	117
R439	117
R440	117

SYMBOL NO.	INDEX NO.
R441	117
R442	117
R443	117
R444	117
R445	117
R446	116
R447	119
R448	117
R449	117
R450	119

SYMBOL NO.	INDEX NO.
R452	117
R453	117
R454	117
R455	117
R456	117
R457	118
R458	118
R459	118
R460	118

SYMBOL NO.	INDEX NO.
R461	118
R462	118
R463	118
R464	118
R465	118
R466	118
R467	118
R468	118
R469	118
R470	118

42. IMAGE PROCESSING BOARD (C223)

TP

SYMBOL NO.	INDEX NO.
R471	118
R472	118
R473	118
R474	118
R475	118

SYMBOL NO.	INDEX NO.
TP401	101
TP402	101
TP403	101

OSC

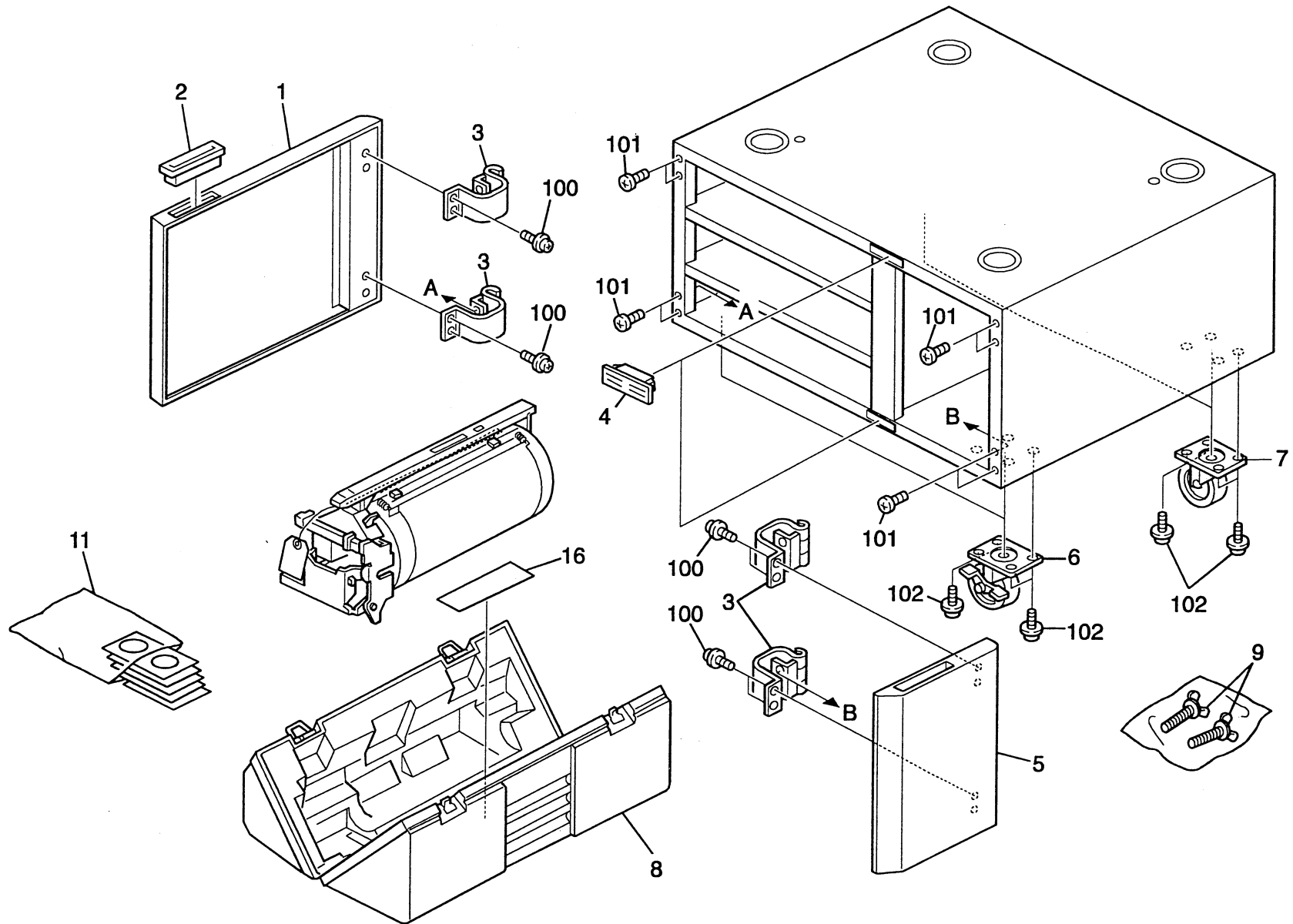
SYMBOL NO.	INDEX NO.
OSC401	114

42. IMAGE PROCESSING BOARD (C223)

Index No.	Part No.	Description	Q'ty Per Assembly
*	C223 8017	IPU Board	1
1	A012 5226	IC - TC19G060AF0027	1
2	A037 5222	IC - TC23SC100AF	1
3	C222 8008	IC - KG9F003024C	1
4	C223 8090	IC - MN56030RTE	1
5	C223 8091	IC - UPD65622GF-184-3	1
6	C223 8092	IC - MBCG24692-4432	1

Index No.	Part No.	Description	Q'ty Per Assembly
101	1101 0328	Connector Pin Contact	
102	1102 5312	Connector - 7p	
103	1102 5572	Connector - 30p	
104	1102 6576	Connector - 60p	
105	1102 7297	Connector - 120p	
106	1103 1332	Connector - 26p	
107	1104 0588	Dip Socket - 28p	
108	1407 2413	IC - SN74LS138M	
109	1407 2417	TTL - IC - SN74LS240M	
110	1407 3677	IC - MN8357	
111	1407 4192	IC - SN74LS244M	
112	1407 4384	TTL - SN74LS174M	
113	1407 4528	IC - CY7C167A-35PC	
114	1503 0680	Osocirrater - CSA20 OMXZ240	
115	1607 0477	Inductor - BLM21A05	
116	1630 2471	Resistor - 470Ω 1/8W ±5%	
117	1630 3102	Resistor - 1KΩ 1/10W ±5%	
118	1630 3103	Resistor - 10KΩ 1/10W ±5%	
119	1630 3472	Resistor - 4.7KΩ 1/10W ±5%	
120	1642 0101	Capacitor - 100μF ±20% 50V	
121	1660 3151	Capacitor - 150PF ±5% 50V	
122	1660 3220	Capacitor - 122PF ±5% 50V	
123	1660 3221	Capacitor - 220PF ±5% 50V	
124	1660 5103	Capacitor - 10000PF ±10% 50V	
125	1660 9104	C - 0.1μF 25V	
126	1902 0003	SRAM - 64k - X8 - 100ns	

43. TABLE SECTION (C223)


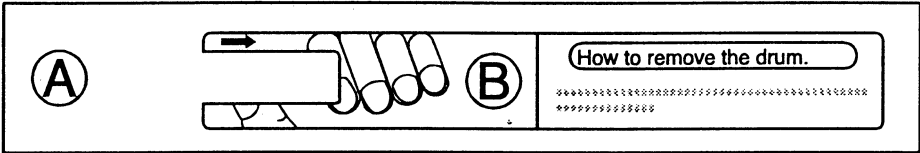
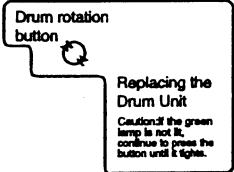
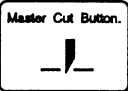
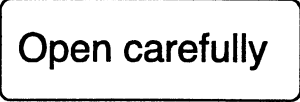

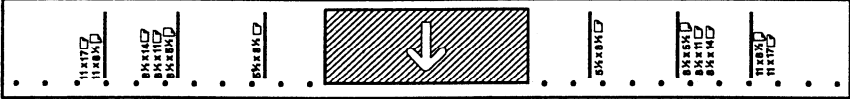
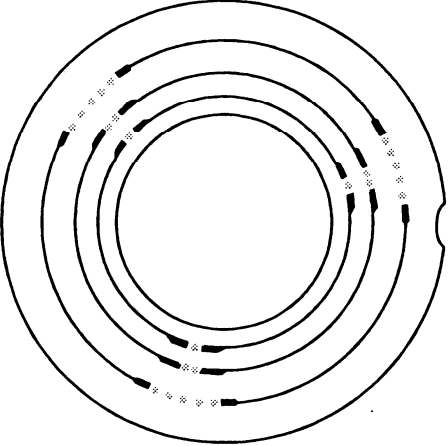
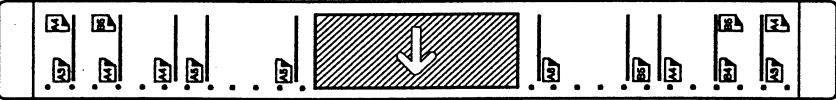



43. TABLE SECTION (C223)


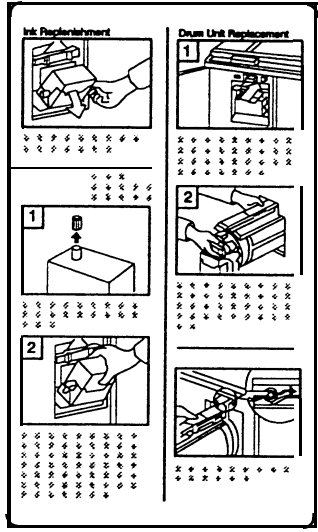
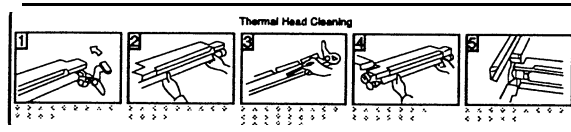


Index No.	Part No.	Description	Q'ty Per Assembly
1	C546 2020	Left Door	1
2	C546 2030	Door Grip	1
3	C525 2031	Door Hinge	4
4	C525 2032	Door Catch	2
5	C546 2025	Right Door	1
6	C525 2039	Caster Stopper	2
7	C525 2038	Caster	2
8	C526 2202	Option Drum Case	1
9	C546 2035	Adjusting Screw	2
10	C526 2113	Decal - Drum Set	1
11	C526 2150	Drum Decal - Black	1
11	C526 2151	Drum Decal - Red	1
11	C526 2152	Drum Decal - Blue	1
11	C526 2153	Drum Decal - Green	1
11	C526 2154	Drum Decal - Brown	1

Index No.	Part No.	Description	Q'ty Per Assembly
100	0951 4006B	Philips Screw With Washer - M4x6	
101	0960 3008B	Philips Flange Screw - M3x8	
102	0950 5012B	Philips Screw With Flat Washer - M5x12	

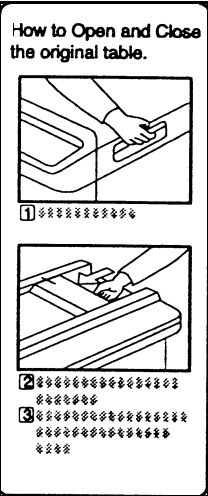
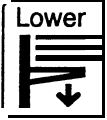
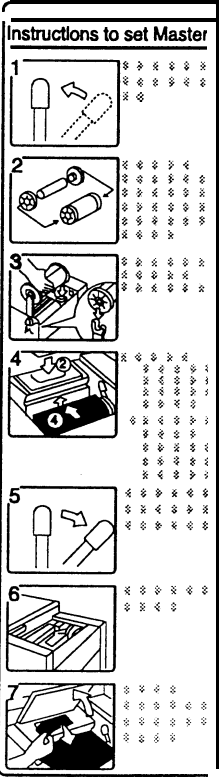

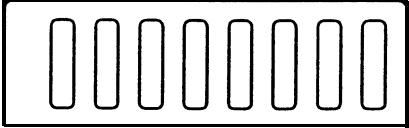
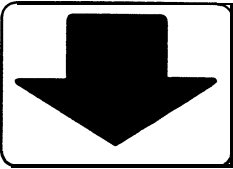
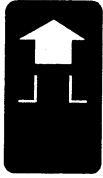
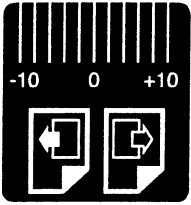
44. DECAL AND DOCUMENT. (C223)

<p>1</p> 	<p>2</p> 		<p>7</p>  <p>Drum rotation button</p> <p>Replacing the Drum Unit</p> <p>Caution! If the green lamp is not lit, continue to press the button until it lights.</p>
<p>3</p>  <p>Master Cut Button.</p>	<p>4</p>  <p>Open carefully</p>	<p>8</p> 	
<p>5</p> 		<p>9</p> 	
<p>6</p> 		<p>10</p> 	

44. DECAL AND DOCUMENT (C223)

<p>10</p> 		<p>15</p> <div data-bbox="1291 357 1837 714" style="border: 1px solid black; padding: 10px;"> <p>↖ Transport position position transport posicion de transporte posizione di trasporto Transport-position</p> <p>↖ Operating position posicion travail posicion de funcionamiento posizione di funzionamento Betriebs-position</p> </div>
<p>1</p> <div data-bbox="178 438 493 966">  <p>Ink Replacement</p> <p>Drum Unit Replacement</p> </div>	<p>12</p> <div data-bbox="619 657 1186 787">  <p>Thermal Head Cleaning</p> </div>	
<p>13</p> <div data-bbox="346 1088 420 1315">  <p>Feeder</p> <p>Thick paper</p> </div>	<p>14</p> <div data-bbox="913 1153 1018 1274">  <p>Lower</p> </div>	<p>16</p> <div data-bbox="1291 950 1837 1307" style="border: 1px solid black; padding: 10px;"> <p>↙ Operating position posicion travail posicion de funcionamiento posizione di funzionamento Betriebs-position</p> <p>↙ Transport position position transport posicion de transporte posizione di trasporto Transport-position</p> </div>

44. DECAL AND DOCUMENT (C223)

<p>17</p> <p>How to Open and Close the original table.</p>  <p>1 *****</p> <p>2 *****</p> <p>3 *****</p>	<p>20</p> 	<p>22</p> <p>Instructions to set Master</p> 	<p>23</p> <p>When you have set the new Master the cut Master should be removed by opening this cover. (Caution)if the cut Masuter is not removed, this will cause a paper jam.</p>
<p>18</p> <p>Push to open the master eject unit</p>	<p>21</p> 	<p>24</p> 	
<p>19</p> 	<p>25</p> 	<p>26</p> 	

44. DECAL AND DOCUMENT (C223)

Index No.	Part No.	Description	Q'ty Per Assembly
*	C223 8600	Operating Instructions - English A4 (RIC)	1
*	C223 8607	Operating Instructions - English LT (RIC)	1
*	C223 8608	Operating Instructions - English ASIA	1
*	C223 8650	Operating Instructions - English (SVN)	1
*	C223 8690	Operating Instructions - English A4 (NRG)	1
*	C223 8697	Operating Instructions - English LT (NRG)	1
*	C223 8647	Operating Instructions - English (AB DICK)	1
*	C218 2910	Caution Decal - French	1
*	C218 2911	Caution Decal - Spanish	1
*	C218 2912	Caution Decal - Italian	1
*	C218 2913	Caution Decal - German	1
1	AA00 1190	Decal - Ground	1
2	C201 2543	Decal - Drum Caution	1
3	C203 2759	Master Cutter Decal	1
4	C210 2804	Decal - Caution	1
4	C218 2910	Caution Decal - French	1
4	C218 2911	Caution Decal - Spanish	1
4	C218 2912	Caution Decal - Italian	1
4	C218 2913	Caution Decal - German	1
5	C210 2805	Decal - Paper Size	1
6	C210 2806	Decal - Paper Size	1
7	C210 2813	Decal - Replacing The Drum Unit	1
8	C217 2514	Decal - Main Switch	1
9	C218 2507	Decal - Master Flange	1
10	C218 2516	Decal - Original Scale - A4	1
10	C218 2820	Decal - Original Size - LT	1
11	C218 2816	Decal - Drum Replacement - LT	1
12	C218 2817	Decal - Replacement	1
13	C218 2818	Decal - Paper Feed Pressure - LT	1
14	C218 2819	Decal - Paper Table Down	1
15	C218 2821	Decal Font Fixting	1
16	C218 2822	Decal - Rear Fixting	1
17	C218 2824	Decal - Original Table - LT	1
18	C218 2825	Decal - Master Eject Open	1
19	C218 2827	Decal - Master Feed	1

Index No.	Part No.	Description	Q'ty Per Assembly
20	C218 2841	Decal - Paper Table Doun	1
21	C218 8430	Decal - Newtral	1
22	C222 2552	Decal - Master Set	1
22	C222 2565	Multi Decal - Master Set - German	1
22	C222 2566	Multi Decal - Master Set - French	1
22	C222 2567	Multi Decal - Master Set - Italian	1
22	C222 2568	Multi Decal - Master Set - Spanish	1
23	C222 2553	Caution Decal - Master Set	1
24	C222 2554	Decal - Mode	1
25	C223 2452	Decal - Paper Table Knob	1
26	C223 2453	Decal - Paper Level	1

PARTS INDEX

Part No.	Description	Page and Index No.
AA00 1190	Decal - Ground	97- 1
AA00 2010	Decal - Paper Level	87- 5
AA06 3016	Pressure Spring	17- 28
AA14 3062	Shoulder Screw - M4	37- 27
AA16 2053	Platen Cover Pad	13- 5
AB03 0216	Pulley - 15Z	81- 33
AC02 0046	CCD Lens F4/43	61- 29
AG07 0004	Magnetic Catch	41- 12
AG07 0004	Magnetic Catch	79- 8
AG07 0004	Magnetic Catch	83- 17
AW02 0021	Photointerruptor - 175487-3	25- 37
AW02 0021	Photointerruptor - 175487-3	29- 23
AW02 0021	Photointerruptor - 175487-3	37- 21
AW02 0021	Photointerruptor - 175487-3	65- 5
AW02 0021	Photointerruptor - 175487-3	81- 1
AW02 0075	Photointerrupter	77- 23
C200 2221	Collar - Pressure Cam Shaft	19- 7
C200 2224	Plate Nut - Print Pressure Cam	19- 9
C200 2225	Pressure Cam Shaft	19- 8
C200 2232	Drive Shaft	19- 1
C200 2248	Fixing Plate	19- 4
C200 2266	Bearing Holder	21- 21
C200 2267	Spacer	19- 21
C200 2302	Image Shifting Arm - Large	21- 16
C200 2308	Image Shifting Arm - Small	21- 19
C200 2311	Image Shifting Link	21- 17
C200 2338	Gear - 20T	73- 1
C200 2596	Maim Board Stud - Long	83- 21
C200 3053	Magnet Catch	87- 12
C200 3123	Support Plate - Safety Switch (A4)	81- 7
C200 3508	Master Eject Stay - Small	77- 14
C200 3529	Pulley Plate	75- 22
C200 3547	Pulley	75- 21
C200 3553	Solenoid Bracket	75- 15
C200 3554	Solenoid Arm	75- 16

Part No.	Description	Page and Index No.
C200 3606	Coupled Gear - 62T & 20T	75- 3
C200 3627	Gear - 30T	75- 2
C200 3628	Gear - 20T	75- 6
C200 3629	Gear - 20T	57- 26
C200 3712	Pulley	77- 5
C200 3716	Cushion Shaft	17- 20
C200 3755	Plate Spring	83- 18
C200 3953	Middle Lever	43- 17
C200 3954	Lower Lever	43- 20
C200 3956	Middle Lever Spring	43- 18
C200 3957	Lower Lever Spring	43- 21
C200 4116	Sensor Spring	67- 28
C200 4184	Tension Spring	71- 15
C200 4520	Lock Pin - Drum	17- 10
C200 4551	Slide Guide	35- 2
C200 4561	Clamper Spring	35- 4
C200 4625	Drum Rail	53- 7
C200 4627	Drum Rail Shaft	53- 18
C200 4631	Left Arm - Drum Lock	51- 12
C200 4632	Right Arm - Drum Lock	51- 15
C200 4633	Drum Lock Shaft - Long	51- 13
C200 4635	Drum Lock Spring - Right	51- 14
C200 4638	Drum Lock Shaft - Small	51- 20
C200 4653	Drum Shaft Bracket	53- 17
C200 4653	Drum Shaft Bracket	55- 5
C200 4653	Drum Shaft Bracket	57- 10
C200 4723	Adjusting Plate - Doctor Roller	57- 2
C200 4733	Ink Detector Bracket	57- 19
C200 4748	Gear - 45T	57- 27
C200 4814	Bushing - 6x10x55mm	49- 4
C200 4826	Pump Rubber	49- 25
C200 4861	Pump Clutch Sleeve	49- 13
C200 4862	Ink Stopper	49- 10
C200 4864	Bracket - Ink Supply Solenoid	49- 7
C200 4914	Drum Stopper Spring	49- 3

Part No.	Description	Page and Index No.
C200 4924	Right Shaft - Ink Holder	49- 30
C200 4926	Ink Holder Cam	49- 17
C200 4942	Pinion - 9T	55- 26
C200 4944	Sector Gear - 9T	55- 8
C200 4945	Sector Gear Spring	55- 10
C200 4946	Clamper Sector Shaft	55- 7
C200 5025	Paper Feed Plate Shield	23- 4
C200 5042	Rear Shaft - Paper Feed	25- 28
C200 5118	Release Spring	51- 4
C200 5137	Left Bracket - Guide Plate	33- 14
C200 5138	Right Bracket - Guide Plate	33- 17
C200 5150	Bushing - 7x18x9mm	33- 3
C200 5153	Bushing Supporter	33- 1
C200 5154	Left Spring Arm	33- 7
C200 5155	Right Spring Arm	33- 29
C200 5205	Paper Feed Spring	35- 26
C200 5222	Sector Spring	21- 24
C200 5222	Sector Spring	35- 29
C200 5223	Lift Cam	21- 26
C200 5225	Bracket - Paper Feed Solenoid	35- 16
C200 5226	Link - Paper Feed Solenoid	35- 13
C200 5235	Paper Feed Solenoid Spring	35- 14
C200 5287	Rubber Plat - Paper Feed	25- 5
C200 5340	Upper Feed Roller	33- 9
C200 5503	Paper Detecting Shaft	33- 22
C200 5504	Paper Detecting Pin	33- 21
C200 5526	Print Pressure Bushing	37- 2
C200 5541	Print Pressure Arm	37- 16
C200 5565	Print Pressure Stopper	35- 11
C200 5566	Pressure On/off Lever	37- 15
C200 6004	Exit Pawl Lever	47- 25
C200 6059	Pulley - 25T	47- 9
C200 8446	Copy Counter	83- 1
C201 2211	Stud	21- 10
C201 2221	Gear - 40T	21- 8

Part No.	Description	Page and Index No
C201 2222	Coupled Gear - 20T & 60T	21- 9
C201 2425	Adjusting Lever	27- 8
C201 2543	Decal - Drum Caution	53- 2
C201 2543	Decal - Drum Caution	97- 2
C201 3527	Pressure Spring	75- 25
C201 3529	Lower Pulley Shaft	75- 19
C201 4067	Pump Clutch Collar	49- 14
C201 4531	Drum Stopper Pawl	17- 3
C201 4532	Drum Stopper Roller	17- 4
C201 4533	Drum Stopper Spring	17- 2
C201 4604	Drum Rail Roller	53- 10
C201 4606	Stopper Releasing Plate	17- 6
C201 4606	Stopper Releasing Plate	53- 6
C201 4609	Stopper Relasing Lever	53- 5
C201 4610	Drum Slider Spring	53- 9
C201 4611	Front Stopper Guide (AB DICK)	53- 3
C201 4613	Drum Rail Cover	53- 4
C201 4636	Drum Unit Handle	51- 23
C201 4639	Ink Holder Handle	49- 28
C201 4665	Bearing Holder	57- 5
C201 4676	Clutch Spring	49- 12
C201 4679	Ink Pump Slider	49- 21
C201 4682	Ink Cartridge Spring	49- 29
C201 5015	Seal - M10	25- 6
C201 5051	Pinion - 24T	29- 17
C201 5073	Arm Balancer - Feed Roller	27- 21
C201 5075	Guide Plate Bracket	31- 1
C201 5080	Separation Roller Pressure Spring	35- 52
C201 5090	Separation Roller Pressure Stud	29- 5
C201 5101	Link	35- 19
C201 5125	Shoulder Screw - M4	33- 2
C201 5125	Shoulder Screw - M4	33- 8
C201 5125	Shoulder Screw - M4	35- 36
C201 5125	Shoulder Screw - M4	81- 38
C201 5134	Bearing Holder	33- 4

Part No.	Description	Page and Index No.
C201 5142	Lift Arm - Feed Roller	33- 23
C201 5145	Lift Arm Spring	33- 24
C201 5505	Height Sensor Bracket	33- 28
C203 2083	Exit Pawl Bushing	35- 32
C203 2091	Front Shaft	15- 10
C203 2096	Bottom Stay Nut	15- 16
C203 2128	AC Drive Board Cover	81- 40
C203 2215	Gear - 18T	19- 18
C203 2309	Pulse Disk	29- 19
C203 2311	Gear Flange	19- 19
C203 2312	Pulley	19- 11
C203 2316	Timing Belt	19- 12
C203 2317	Pulley - 26Z	19- 5
C203 2318	Reinforcement Plate	21- 22
C203 2326	Gear - 90Z	19- 14
C203 2327	Pulley Flange	19- 13
C203 2759	Master Cutter Decal	81- 14
C203 2759	Master Cutter Decal	97- 3
C203 3511	Arm - MasterEject Box	79- 7
C203 4013	Brake Plate	67- 21
C203 4060	Tension Release Slider	71- 6
C203 4511	Spring Plate Supporter	17- 46
C203 4512	Grounding Spring Plate	17- 47
C203 4515	Drum Clamper Roller	35- 1
C203 4543	Ink Detector	57- 17
C203 5007	Paper Feed Lever	27- 2
C203 5013	Lever Supporter	27- 10
C203 5020	Spring - Feed Roller Pressure	27- 14
C203 5027	Adjusting Plate	27- 16
C203 5045	Bushing - 18x24x28mm	27- 12
C203 5046	Bushing - 14x20x9mm	27- 37
C203 5049	Front Bushing Stud	27- 41
C203 5050	Rear Bushing Stud	27- 40
C203 5055	Actuator - Paper Feed Table	27- 19
C203 5062	Left Arm - Separation	29- 4

Part No.	Description	Page and Index No.
C203 5066	Right Arm - Separation	29- 9
C203 5113	Bushing - 6x9x3mm	25- 19
C203 5113	Bushing - 6x9x3mm	27- 17
C203 5114	Bushing - 3x6x3mm	25- 21
C203 5116	Washer - 6x13x12mm	25- 20
C203 5121	Bushing - 8x12x9mm	25- 15
C203 5126	Right Rack - Paper Feed	25- 34
C203 5131	Gear Cover	25- 11
C203 5135	Bushing - 10x14x5.9	29- 1
C203 5142	Rack Shaft	25- 12
C203 5170	Feed Cam Shaft	21- 12
C203 5184	Sector Gear	21- 25
C203 5194	Shoulder Screw - M4	35- 24
C203 5198	Feed Roller Brake Ass'y	33- 19
C203 5200	Tension Roller	27- 26
C203 5201	Tension Arm	27- 25
C203 5205	Belt Tensioner Ass'y	27- 22
C203 5208	Tension Bracket	27- 23
C203 5215	Tension Spring	27- 24
C203 5220	Gear - 18T	27- 39
C203 5225	Spacer - Tension - Paper Feed	27- 49
C203 6035	Magnet Plate	41- 10
C203 6046	Link - Wing	41- 4
C203 6047	Rubber Washer	41- 3
C203 6065	Pulley Flange	39- 5
C203 8095	Upper Harness Supporter	81- 5
C203 8137	Master Sensor	73- 21
C203 8204	Grounding Wire	79- 18
C207 2209	Pulley - 60Z	19- 20
C207 2210	Timing Belt - 100S4.5M297	19- 24
C207 2211	Bearing Stopper	19- 25
C207 3530	Upper Pulley Shaft	75- 20
C207 3604	Pulley - 40Z	75- 5
C207 3612	Timing Belt - B30S2M126	75- 4
C207 4150	Fixing Screw	69- 14

Part No.	Description	Page and Index No.
C207 4611	Front Stopper Guide (RIC)(NRG)(SVN)	53- 3
C207 4670	Gear - 24Z	57- 4
C207 4672	Gear - 36Z	57- 3
C207 5008	Pressure Plate	31- 4
C207 5009	Pressure Plate Holder	31- 3
C207 5010	Adjusting Screw	31- 6
C207 5011	Adjusting Plate	31- 5
C207 5012	Pressure Spring	31- 7
C207 5013	Pressure Spring - Paper Feed	31- 2
C207 5020	Upper Roller Shaft	27- 32
C207 5023	Separator Roller Ass'y	27- 30
C207 5123	Upper Guide Plate	33- 12
C207 5125	Guide Plate Spacer	33- 13
C207 5138	Upper Feed Roller Ass'y	33- 6
C207 5148	Upper Feed Roller	33- 10
C207 6125	Guide Plate Spring	75- 13
C209 2006	Spacer	15- 20
C209 2027	Lever Bracket - Paper Feed	27- 11
C209 2034	Sensor Bracket	33- 5
C209 2050	Front Stay	15- 12
C209 2056	Right Fixing Plate	17- 30
C209 2061	Left Grip - Paper Feed	15- 6
C209 2110	Drive Support Shaft	17- 23
C209 2130	Safety Cover	81- 17
C209 2169	Harness Bracket	81- 9
C209 2207	Pulley - 12Z	19- 23
C209 2214	Gear - 40Z	19- 16
C209 2216	Driver Shaft	19- 17
C209 2218	Drum Drive Gear/pulley	19- 2
C209 2220	Support Gear - 30Z	19- 3
C209 2304	Support Side Plate	21- 20
C209 2306	Drum Sensor Bracket	81- 2
C209 2308	Support Bracket - Rear Cover	19- 27
C209 2321	Bracket - Image Shifting	21- 7
C209 2325	Motor Bracket	21- 3

Part No.	Description	Page and Index No.
C209 2411	Right Cover Support Bracket	11- 13
C209 2413	Right Cover Bracket	15- 5
C209 2432	Upper Hinge Bracket	11- 7
C209 2435	Lower Hinge Bracket	11- 9
C209 2469	Door Catch	11- 5
C209 2469	Door Catch	83- 6
C209 2470	Left Cover Cap	11- 11
C209 2572	Upper Pad - Rear Cover	11- 29
C209 2574	Side Pad - Rear Cover	11- 30
C209 2579	Lower Pad - Master Eject Box	77- 8
C209 2580	Right Pad - Master Eject Box	77- 11
C209 2581	Left Pad - Master Eject Box	77- 9
C209 2585	Plotter Base Pad - Small	67- 12
C209 3133	Retaining Ring - M6	63- 18
C209 3133	Retaining Ring - M6	79- 16
C209 3501	Front Side Plate	77- 17
C209 3507	Master Eject Sensor Cover	77- 21
C209 3512	Rear Side Plate	77- 6
C209 3516	Master Eject Stay	75- 8
C209 3520	Separation Roller Bushing	75- 26
C209 3521	Arm Connecting Shaft	75- 36
C209 3522	1st Upper Eject Roller	75- 27
C209 3524	1st Lower Eject Roller	75- 30
C209 3526	Bottom Plate - Master Eject Box	77- 7
C209 3529	Sensor Bracket - Master Eject	75- 10
C209 3530	Sensor Cover - Master Eject	75- 9
C209 3531	Pressure Plate	77- 15
C209 3532	Pressure Plate Shaft	77- 16
C209 3533	Pressure Plate Arm	77- 3
C209 3536	Pulley	77- 2
C209 3539	Pressure Arm Shaft	77- 13
C209 3540	Front Pressure Arm	77- 19
C209 3543	Rear Pressure Arm	77- 1
C209 3545	Gear - 62Z	75- 1
C209 3550	Worm Gear - 16/50Z	75- 31

Part No.	Description	Page and Index No.
C209 3551	Gear - 16/116Z	75- 32
C209 3554	Gear - 60Z	77- 18
C209 3557	Bracket	75- 33
C209 3558	Master Eject Box	79- 6
C209 3558	Master Eject Box	85- 5
C209 3561	Master Eject Sensor	75- 35
C209 3571	Blower Duct	79- 13
C209 3574	Blower Fan Bracket	79- 11
C209 3615	Spacer - 6x12x3	77- 20
C209 3642	Master Eject Stay - Large	77- 12
C209 3643	Lock Stay	77- 22
C209 3661	Solenoid Plate	75- 14
C209 3671	Master Eject Hinge	79- 2
C209 3675	Cover Bracket	79- 4
C209 4019	Plotter Middle Stay	73- 17
C209 4021	Holder - Master	67- 22
C209 4025	Master Roller Holder	69- 7
C209 4027	Master End Sensor Bracket	67- 29
C209 4040	Left Adjusting Plate	67- 9
C209 4049	Gear - 48Z	69- 15
C209 4059	Lever Knob	41- 9
C209 4059	Lever Knob	67- 33
C209 4063	Lever Shaft	67- 31
C209 4070	Upper Master Feed Roller	71- 14
C209 4071	Gear -25Z	71- 3
C209 4072	Gear - 24Z	71- 7
C209 4074	Lower Master Feed Roller	71- 16
C209 4075	Left Arm - Tension Release	71- 8
C209 4076	Tension Release Arm	67- 35
C209 4076	Tension Release Arm	71- 10
C209 4082	Tension Release Shaft	71- 9
C209 4087	Gide Plate Roller	65- 17
C209 4093	Reverse Guide	71- 13
C209 4100	Upper Reverse Roller	73- 14
C209 4105	Lower Reverse Roller	73- 16

Part No.	Description	Page and Index No.
C209 4114	Gear - 20/27Z	73- 19
C209 4115	Gear - 30Z	71- 2
C209 4116	Spacer - 6x36x0.3	71- 1
C209 4128	Harness Bracket	73- 5
C209 4139	Spring Plate	67- 6
C209 4180	Thermal Head Spacer	67- 3
C209 4190	Stud	17- 21
C209 4300	Counter Roller	73- 12
C209 4303	Gear -27Z	73- 3
C209 4305	Gear - 16Z	73- 2
C209 4307	Reverse Guide Plate	73- 10
C209 4320	Antistatic Brush	71- 11
C209 4321	Antistatic Brush	71- 19
C209 4516	Slide Guide - Drive Shaft	35- 31
C209 4519	Drum Sensor Bracket	17- 13
C209 4529	Drum Stopper	49- 2
C209 4531	Drum Shaft	55- 16
C209 4540	Screen Plate Spring	55- 23
C209 4550	Black Seal - 40x50	55- 20
C209 4566	Drum Lock Shaft	51- 3
C209 4567	Left Arm - Drum Lock	51- 5
C209 4568	Solenoid Bracket - Drum Lock	51- 7
C209 4613	Rear Side Plate - Drum	55- 3
C209 4616	Side Plate Cover - Drum	51- 1
C209 4617	Lower Cover - Drum Side Plate	51- 10
C209 4620	Upper Cover - Drum Side Plate	51- 2
C209 4624	Front Side Plate	51- 9
C209 4634	Drum Lock Spring - Left	51- 11
C209 4637	Right Stopper - Drum Lock	51- 19
C209 4638	Left Stopper - Drum Lock	51- 21
C209 4639	Release Lever - Drum Lock	51- 18
C209 4640	Paper Table Ass'y	23- 2
C209 4641	Ink Holder	49- 31
C209 4642	Drum Lock Spring	51- 22
C209 4654	Spacer - 16x36x5.7	57- 9

Part No.	Description	Page and Index No.
C209 4661	Front Side Plate - Ink Roller	57- 24
C209 4662	Rear Side Plate - Ink Roller	57- 7
C209 4664	Ink Roller Stay	57- 23
C209 4666	Ink Roller	57- 22
C209 4672	Gear - 50Z	55- 15
C209 4673	Gear - 62Z	53- 16
C209 4674	Gear - 25Z	49- 11
C209 4677	Clutch Bracket	49- 15
C209 4681	Stopper Plate	53- 15
C209 4682	Screen Front Plate	55- 27
C209 4688	Gear Support Plate	55- 12
C209 4689	Interrupter Plate	55- 9
C209 4704	Packing - Ink Tube	57- 12
C209 4705	Ink Distributor	57- 15
C209 4711	Hose Band	47- 2
C209 4711	Hose Band	49- 24
C209 4711	Hose Band	57- 14
C209 4712	Spacer	57- 28
C209 4713	Hose Band	57- 29
C209 4715	Shaft Stay - Ink Roller	57- 16
C209 4722	Doctor Roller	57- 20
C209 4749	Grounding Plate	57- 1
C209 4814	Metal Screen Mylar	53- 19
C209 4816	Stopper Plate - Ink Antechamber	49- 23
C209 4817	Ink Tube - Small	49- 22
C209 4850	Screen mylar	55- 19
C209 4852	Gear - 46Z	49- 5
C209 4867	Gear - 64Z	49- 18
C209 4923	Right Shaft - Ink Holder	49- 26
C209 4930	Seal - 0.1x5x17	49- 27
C209 4938	Clamper Magnet	55- 24
C209 4941	Clamper Shaft	55- 25
C209 4947	Clamper Rubber	55- 28
C209 5018	Separation Plate	31- 9
C209 5035	Arm - Feed Roller Holder	27- 18

Part No.	Description	Page and Index No.
C209 5047	Switch Bracket - Paper Table	23- 12
C209 5055	Bracket - Paper Size	23- 10
C209 5058	Psper Size Plate	25- 23
C209 5080	Stepped Screw	27- 13
C209 5081	Spring Link	27- 15
C209 5090	Rubber Plate - Paper Feed Guide	25- 4
C209 5092	Rubber Plate Lever	25- 7
C209 5152	Cover Stopper - Large	87- 1
C209 5155	Bottom Plate - Large	87- 10
C209 5162	Bottom Plate - Small	87- 21
C209 5175	Side Frame	87- 4
C209 5200	Gear - 14Z	33- 25
C209 5203	Lower 2nd Feed Roller	33- 20
C209 5205	Left Lever Bracket	29- 14
C209 5206	Right Lever Bracket	29- 11
C209 5207	Spring Plate - Left Lever	29- 15
C209 5208	Spling Plate - Right Lever	29- 10
C209 5209	Separation Pressure Lever	29- 13
C209 5210	Left Lever Cover	29- 16
C209 5211	Right Lever Cover	29- 12
C209 5220	Spacer - 4x20x6	27- 1
C209 5225	Feed Roller Holder	27- 20
C209 5235	Paper Table Holder	25- 35
C209 5507	Sensor Actuator	37- 1
C209 5515	Paper Detecting Arm	33- 27
C209 5521	Joint Shaft	37- 17
C209 5543	Press Roller Spring Link	37- 18
C209 6003	Vacuum Plate Bracket	41- 2
C209 6005	Vacuum Plate	41- 1
C209 6009	Drive Roller - Transport Belt	39- 2
C209 6016	Transport Belt	39- 3
C209 6017	Vacuum Duct	39- 4
C209 6019	Idler Roller - Transport Belt	39- 1
C209 6025	Transport Left Wing	41- 7
C209 6028	Transport Right Wing	41- 5

Part No.	Description	Page and Index No.
C209 6050	Bushing - 4x8x6 mm	41- 6
C209 6052	Drive Roller Arm	39- 7
C209 6064	Gear - 28Z	47- 15
C209 6065	Drive Shaft - Vacuum Roller	47- 6
C209 6067	Timing Belt - 220XL025G	47- 26
C209 6104	Exit Cam Shaft	43- 2
C209 6107	Left Exit Cam	43- 27
C209 6110	Right Exit Cam	43- 1
C209 6112	Left Adjusting Lever	43- 29
C209 6113	Right Adjusting Lever	43- 5
C209 6114	Tension Spring	43- 3
C209 6115	Left Adjusting Lever Spring	43- 30
C209 6116	Right Adjusting Lever Spring	43- 4
C209 6126	Stud - M4	45- 30
C209 6136	Magnet Plate	45- 19
C209 6137	Magnet Catch Cover	45- 37
C209 6141	Guide Fence Rail	45- 26
C209 6142	Guide Fence Slider	45- 16
C209 6142	Guide Fence Slider	45- 27
C209 6143	Guide Fence Knob	45- 25
C209 6144	Guide Fence Shaft	45- 14
C209 6144	Guide Fence Shaft	45- 24
C209 6145	Guide Fence Bracket	45- 29
C209 6149	Guide Fence Spring	45- 28
C209 6150	End Fence Spring	45- 17
C209 6151	End Fence Support Rail	45- 15
C209 6153	Bracket - Support End Fence	45- 18
C209 6156	Sponge Seal - 4.5x65x175	45- 2
C209 6157	End Fence Shaft	45- 3
C209 6158	End Fence Bracket	45- 6
C209 6159	End Fence Spring - Large	45- 5
C209 6160	End Fence Base	45- 4
C209 6161	Left Rail - End Fence (A4)	45- 12
C209 6162	Right Rail - End Fence (A4)	45- 7
C209 6163	Spacer - 10x18x1	45- 8

Part No.	Description	Page and Index No.
C209 6164	Rail Spring - End Fence	45- 9
C209 6168	End Fence Washer	45- 10
C209 6175	Stud - M4	43- 16
C209 6176	Delivery Table Angle	43- 15
C209 6177	Stud - M4x11	43- 12
C209 6178	Spacer 8x20x2	43- 14
C209 6179	Spacer - 4x18x2	43- 11
C209 6180	Spring Washer - M8	43- 13
C209 6181	Front Guide Plate	45- 22
C209 6182	Rear Guide Fence	45- 23
C209 6183	Small End Fence	45- 13
C209 6184	End Fence	45- 1
C209 6188	Sensor Actuator - Delivery Table	43- 24
C209 6193	Lock Arm - Delivery Table Sensor	43- 28
C209 6196	Actuator Link - Delivery Table	43- 25
C209 6203	Air Piston Ass'y	47- 12
C209 6204	Gear - 18/48Z	47- 16
C209 6206	Gear Shaft	47- 17
C209 6207	Gear - 75Z	47- 13
C209 6210	Air Pump Drive Shaft	47- 14
C209 6211	Piston Link	47- 11
C209 6213	Piston Pin - Air Pump	47- 10
C209 6215	Piston Valve	47- 7
C209 6216	O-Ring - 34	47- 8
C209 6219	Air Hose	47- 1
C209 6223	Exit Pawl Bracket	47- 20
C209 6225	Hose Clamp	47- 23
C209 6230	Exit Pawl Holder	47- 19
C209 6231	Knob Screw - M4	47- 18
C209 6232	Exit Pawl Shaft	47- 24
C209 6233	Exit Pawl	47- 22
C209 6240	Air Pump Cylinder	47- 4
C209 6241	Front Cylinder Bracket	47- 3
C209 6242	Rear Cylinder Bracket	47- 5
C209 8107	Brower Moter Harness	39- 10

Part No.	Description	Page and Index No.
C209 8117	Drum Master Detection Sensor	17- 12
C209 8117	Drum Master Detection Sensor	75- 11
C209 8137	Relay Harness - Ink Detection	57- 18
C209 8140	Grounding Wiar - 65mm	55- 4
C209 8169	Short Harness	55- 1
C209 8197	Paper Size Sensor Harness	23- 11
C209 8197	Paper Size Sensor Harness	25- 31
C209 8202	Commutation Brush	29- 3
C209 8204	Vacuum Fan Motor	39- 9
C209 8227	Ink Supply Solenoid	49- 8
C209 8234	Drum Lock Solenoid	35- 33
C209 8234	Drum Lock Solenoid	51- 6
C209 8239	Reverse Roller - Magnetic Clutch	73- 18
C209 8260	Micro Motor - Master Eject	75- 18
C209 8262	Release Solenoid	35- 12
C209 8262	Release Solenoid	35- 15
C209 8269	Master Eject Solenoid	75- 12
C209 8276	Main Switch	83- 2
C209 8278	LED - Drum	83- 5
C209 8280	Image Position Sensor	21- 6
C209 8288	Table Down Switch	27- 4
C210 2091	Harness Cover	17- 48
C210 2171	Safety Switch Bracket - Eject Box (230V)	81- 39
C210 2186	Right Cover Bracket	17- 35
C210 2804	Decal - Caution	97- 4
C210 2805	Decal - Paper Size (LT)	23- 6
C210 2805	Decal - Paper Size	97- 5
C210 2806	Decal - Paper Size (A4)	23- 6
C210 2806	Decal - Paper Size	97- 6
C210 2813	Decal - Replacing The Drum Unit	97- 7
C210 6253	Delivery Table (LT)	45- 20
C210 6254	Left Rail - End Fence (LT)	45- 12
C210 6255	Right Rail - End Fence (LT)	45- 7
C210 6262	Delivery Table (A4)	45- 20
C213 3561	Master Eject Sensor Bracket	75- 37

Part No.	Description	Page and Index No.
C213 4810	Ink Antechamber	49- 20
C213 5110	Paper Feed Cam	21- 13
C215 4511	Dram Lock Lever	17- 14
C215 4514	Drun Lock Knob	17- 11
C215 4515	Drum Lock Link	17- 40
C215 4517	Connector Lock Arm	35- 39
C215 4532	Locking Arm	17- 34
C215 4533	Spring Plate	17- 33
C215 4537	Connector Lock Lever	35- 40
C215 4538	Slid Lock Arm	35- 37
C215 8116	Ink Detecting Board	35- 8
C216 2018	Transformer Bracket	17- 42
C216 8155	Transformer - 235V/105V	17- 41
C217 2453	Rear Cover Cap- Small	11- 26
C217 2454	Rear Cover Cap- Large	11- 27
C217 2455	Key Counter Cover	11- 8
C217 2514	Decal - Main Switch	11- 15
C217 2514	Decal - Main Switch	97- 8
C217 4426	Shoulder Screw	81- 41
C217 4598	Front Drum Blade	57- 25
C217 4599	Rear Drum Blade	57- 6
C217 5102	Spring Washer	11- 39
C217 5102	Spring Washer	59- 21
C217 8447	DC Motor - 24V/7.2W	75- 34
C218 2012	Rear Right Upper Bracket	81- 22
C218 2013	Rear Center Upper Bracket	81- 21
C218 2014	Rear Left Upper Bracket	81- 20
C218 2015	Rear Scanner Stopper Bracket	81- 16
C218 2022	Rear Cover Left Bracket	81- 18
C218 2024	Flat Cable Cover	17- 8
C218 2047	Lift Moter Cover	21- 1
C218 2051	Main Board Spacer	83- 9
C218 2052	Stud - Main Control Board	83- 22
C218 2070	Safety Switch Bracket - LT	81- 6
C218 2071	Safety Swtich Stopper - LT	81- 37

Part No.	Description	Page and Index No.
C218 2072	Safety Switch Cover - LT	81- 34
C218 2099	Transformer Cover	17- 43
C218 2120	Board Bracket	15- 8
C218 2160	Upper Lever	43- 22
C218 2164	2nd Left Side Plate	43- 23
C218 2171	Safety Switch Bracket - Eject Box (115V)	81- 39
C218 2172	Safety Switch Lever - LT	81- 36
C218 2172	Safety Switch Lever - LT	83- 27
C218 2173	Support Plate - Safety Switch - LT	81- 7
C218 2173	Support Plate - Safety Switch - LT	83- 28
C218 2185	Stepper Screw	83- 29
C218 2405	Lower Cover- Operation Panel	11- 18
C218 2423	Paper Feed Table Cover	23- 8
C218 2424	Front Door Ass'y (RIC)	11- 1
C218 2450	Right Cover	11- 32
C218 2456	Master Eject Cover	79- 10
C218 2460	Master Eject Cover	79- 9
C218 2500	Scanner Upper Cover	59- 11
C218 2507	Decal - Master Flange	69- 9
C218 2507	Decal - Master Flange	97- 9
C218 2515	Scanner Right Cover	59- 7
C218 2516	Decal - Original Scale - A4	59- 23
C218 2516	Decal - Original Scale - A4	97- 10
C218 2522	Cushion - Large	59- 2
C218 2524	Cushion - Small	59- 8
C218 2525	Stepped Screw - M4	11- 38
C218 2525	Stepped Screw - M4	59- 20
C218 2535	Scanner Left Cover	59- 1
C218 2560	Scanner Rear Cover	59- 5
C218 2750	Front Left Cover	11- 4
C218 2803	Left Front Cover - LT	11- 12
C218 2804	Lever Cover - Paper Feed - LT	27- 5
C218 2807	Platen Cover Ass'y	13- 0
C218 2809	Main Switch Cover	11- 16
C218 2816	Decal - Drum Replacement - LT	11- 2

Part No.	Description	Page and Index No.
C218 2816	Decal - Drum Replacement - LT	97- 11
C218 2817	Decal - Replacement	11- 19
C218 2817	Decal - Replacement	97- 12
C218 2818	Decal - Paper Feed Pressure - LT	27- 7
C218 2818	Decal - Paper Feed Pressure - LT	97- 13
C218 2819	Decal - Paper Table Down (LT)	27- 6
C218 2819	Decal - Paper Table Down	97- 14
C218 2820	Decal - Original Size - LT	59- 23
C218 2820	Decal - Original Size - LT	97- 10
C218 2821	Decal Font Fixting	97- 15
C218 2822	Decal - Rear Fixting	97- 16
C218 2824	Decal - Original Table - LT	97- 17
C218 2825	Decal - Master Eject Open	11- 3
C218 2825	Decal - Master Eject Open	97- 18
C218 2827	Decal - Master Feed	67- 34
C218 2827	Decal - Master Feed	97- 19
C218 2832	Left Front Cover (A4)	11- 12
C218 2833	Lower Cover - Paper Feed (A4)	27- 5
C218 2841	Decal - Paper Table Down (A4)	27- 6
C218 2841	Decal - Paper Table Down	97- 20
C218 2910	Caution Decal - French	97- 0
C218 2910	Caution Decal - French	97- 4
C218 2911	Caution Decal - Spanish	97- 0
C218 2911	Caution Decal - Spanish	97- 4
C218 2912	Caution Decal - Italian	97- 0
C218 2912	Caution Decal - Italian	97- 4
C218 2913	Caution Decal - German	97- 0
C218 2913	Caution Decal - German	97- 4
C218 2954	Front Door Ass'y (AB DICK)	11- 1
C218 3003	Seal - 28x40	65- 25
C218 3017	Scanner Grip Rail	63- 29
C218 3018	Seal - 40x131	59- 22
C218 3020	Stopper Pin	65- 16
C218 3021	Support Plate	65- 29
C218 3022	Scanner Stopper Shaft	65- 30

Part No.	Description	Page and Index No.
C218 3024	Scanner Front Stay	65- 23
C218 3025	Contact Grass Cushion	65- 8
C218 3028	Scanner Rear Stay	65- 7
C218 3031	Stud	65- 10
C218 3034	H.P Sensor Bracket	59- 14
C218 3036	H.P Sensor Cover	59- 13
C218 3037	Flat Cable Cover	59- 10
C218 3039	Flat Cable Clamp	17- 9
C218 3039	Flat Cable Clamp	61- 9
C218 3041	Right Bracket	59- 6
C218 3043	Lens Base Plate	61- 20
C218 3044	Cover Cushion	59- 24
C218 3045	Guide Mylar	59- 9
C218 3046	Original Exit Guide	59- 3
C218 3051	Philips Screw - M3	27- 45
C218 3051	Philips Screw - M3	63- 38
C218 3053	Arm - Carriage - Fix - Front	63- 4
C218 3053	Arm - Carriage - Fix - Front	63- 35
C218 3054	Pad - 5x5	63- 5
C218 3055	Front Fixed Angle	63- 6
C218 3056	Fixed Shaft Bracket	63- 3
C218 3057	Fixed Shaft	63- 2
C218 3059	Rear Fixed Arm	63- 7
C218 3059	Rear Fixed Arm	63- 36
C218 3060	Rear Fixed Angle	63- 1
C218 3062	Timing Pulley - Scanner Motor	63- 34
C218 3063	Scanner Drive Pulley	63- 22
C218 3065	Pulley - 22/56Z	63- 11
C218 3066	Pulley - 49Z	63- 19
C218 3068	Timing Pulley - 48Z	63- 25
C218 3069	Timing Pulley - 24Z	63- 23
C218 3072	Timing Belt - B40S2M160	63- 12
C218 3073	Timing Belt - B60S2M126	63- 13
C218 3073	Timing Belt - B60S2M126	81- 35
C218 3074	Timing Belt - B40S2M1274	63- 21

Part No.	Description	Page and Index No.
C218 3075	Timing Belt - B40S2M800	63- 20
C218 3078	Scanner Motor Bracket	63- 14
C218 3081	Tension Bracket	63- 8
C218 3082	Tension Spring	63- 10
C218 3083	Tension Spring	63- 15
C218 3086	Motor Cushion	63- 9
C218 3090	Scanner Drive Shaft	63- 33
C218 3091	Timing Pulley Bracket - Front 1	63- 37
C218 3094	Tension Spring	63- 26
C218 3096	Timing Pulley Bracket - Rear 1	63- 28
C218 3099	Timing Pulley Bracket - Front 2	63- 32
C218 3103	Timing Pulley Bracket - Rear 2	63- 27
C218 3110	Scanner Grip Upper Cover	65- 22
C218 3111	Scanner Grip Shaft	65- 20
C218 3112	Scanner Stopper	65- 15
C218 3116	Stopper Spring 1	65- 14
C218 3117	Stopper Spring 2	65- 13
C218 3118	Scanner Stopper Bracket	65- 12
C218 3123	Slide Rail	15- 2
C218 3124	Spacer	15- 1
C218 3125	Scanner Open Actuator	15- 26
C218 3127	Slide Rtail Right Bracket	15- 19
C218 3130	Slide Rail Seal	15- 29
C218 3131	Slide Rail Left Bracket	15- 18
C218 3133	Scanner Base Cushion 1	15- 25
C218 3134	Scanner Base Cushion 2	15- 24
C218 3135	Spacer Cushion	15- 23
C218 3138	Stopper Seal	15- 28
C218 3154	Exposuer Glass (LT)	59- 18
C218 3157	Original Scale - LT	59- 16
C218 3166	Exposure Glass (A4)	59- 18
C218 3171	Seal - 5x30	59- 12
C218 3190	Spring Plate	61- 12
C218 3191	1st Mirror	61- 11
C218 3193	Timing Belt Clamp	61- 5

Part No.	Description	Page and Index No.
C218 3205	Original Scale - A4	59- 16
C218 3206	2nd And 3rd Mirror	61- 2
C218 3207	Rear Spring Plate	61- 4
C218 3208	Front Spring Plate	61- 3
C218 3211	Lens Holder	61- 27
C218 3212	Adjusting Pin	61- 23
C218 3213	Adjusting Ball	61- 15
C218 3214	Lens Bracket	61- 26
C218 3223	Adjusting Spring Plate	61- 19
C218 3224	Rear Adjust Spring	61- 28
C218 3225	Front Adjust Spring	61- 25
C218 3226	Shading Plate	61- 21
C218 3426	Platen Cover Right Bracket	65- 4
C218 3430	Knob Screw	65- 2
C218 3431	Platen Cover Shaft	65- 3
C218 3434	Sensor Bracket	65- 6
C218 3438	Platen Cover Left Bracket	65- 1
C218 3446	Magnet Catch Plate	59- 19
C218 3505	Hinge Shaft	79- 1
C218 3506	Boss	79- 15
C218 3532	Pulley Guide	77- 10
C218 4038	Bushing Washer - M8	67- 24
C218 4060	Platen Release Lever	67- 32
C218 4065	Cutter Unit	69- 1
C218 4126	Right Connector Bracket	67- 26
C218 4136	Spring Plate	67- 8
C218 4230	Master Flange	69- 8
C218 4230	Master Flange	85- 1
C218 4502	Drum Rail Stay	17- 17
C218 4528	Plate Spring - Drum Rail	17- 18
C218 4535	Drum Connector Bracket	35- 41
C218 4536	Ink Detecting Board Bracket	35- 34
C218 4539	Connector Spring	35- 35
C218 4565	Rear Drum Flange	55- 14
C218 4592	Front Bank Plate	57- 21

Part No.	Description	Page and Index No.
C218 4594	Rear Bank Plate	57- 8
C218 4612	Rear Roller Guide	53- 1
C218 4683	Screen Rear Plate	55- 22
C218 4698	Ink Distributor & Tube Ass'y	57- 13
C218 4701	Ink Tube nipple	57- 11
C218 4936	Drum Clamper Ass'y	55- 21
C218 4945	Drum Clamper Base Ass'y	55- 17
C218 5016	Front Side Plate	31- 10
C218 5054	Table Position Knob	25- 18
C218 5094	Insulating Sheet	83- 20
C218 5151	Cassette Body - Large	87- 14
C218 5164	Cassette Body - Small	87- 22
C218 5171	Magnet Holder	87- 16
C218 5180	Decal - Paper Size - Large	87- 20
C218 5181	Decal - Paper Size - Small	87- 9
C218 5182	Decal - Magnet - Large	87- 17
C218 5183	Decal - Magnet - Small	87- 23
C218 5526	Spring	37- 19
C218 5554	Press Roller Ass'y	37- 14
C218 5555	Transfer Roller	37- 4
C218 6119	Delivery Table Cover	45- 21
C218 8132	Original Sensor Harness	61- 8
C218 8153	Scanner Flat Cable	61- 13
C218 8181	Transformer - 115V	17- 41
C218 8200	Main Motor - DC90V 108W	29- 2
C218 8242	Power Supply Cord - 115V	81- 4
C218 8252	Power Supply Cord - 230V	81- 4
C218 8407	Photointerruptor - GP1A34LC	59- 15
C218 8424	Original Sensor	61- 7
C218 8426	Grounding Harness	63- 17
C218 8430	Decal - Newtral	97- 21
C219 2073	Stopper Stud - Paper Feed	35- 17
C219 2075	Feed Gear Stopper Shaft	21- 23
C219 2075	Feed Gear Stopper Shaft	35- 18
C219 2104	Right Grip - Master Eject	81- 3

Part No.	Description	Page and Index No.
C219 2106	Left Grip - Paper Delivery	15- 4
C219 2109	Key Counter Bracket	43- 31
C219 2111	Shaft	15- 13
C219 2112	Harness Satay	15- 35
C219 2150	Rear Right Grip	15- 22
C219 2152	Rear Cover Bracket	15- 30
C219 2205	Bracket - Drum Rotation Sensor	29- 20
C219 2217	Collar	19- 22
C219 2226	Gear - 22Z	21- 18
C219 2306	Drum Sensor Bracket	29- 21
C219 2306	Drum Sensor Bracket	37- 20
C219 2315	Tension Shaft	19- 15
C219 2418	Push Switch Bracket	83- 7
C219 2419	Safety Switch Bracket	83- 19
C219 2428	Switch Plate - Paper Feed Table	17- 24
C219 2440	Lower Harness Cover	17- 44
C219 2441	Upper Harness Cover	17- 45
C219 2454	Master Eject Cover	79- 17
C219 2702	Front Platen Cover	13- 3
C219 2704	Rear Platen Cover	13- 2
C219 2705	Original Holder	11- 33
C219 2705	Original Holder	13- 1
C219 2706	Platen Cover Sensor Actuator	13- 7
C219 2708	Platen Cover Sheet	13- 9
C219 2710	Platen Cover Hinge	13- 6
C219 2711	Hinge Stopper	13- 10
C219 3473	Interface Cover	13- 8
C219 3545	Upper Belt	75- 28
C219 3546	Lower Belt	75- 29
C219 3673	Inner Cover - Master Eject	79- 14
C219 3680	Master Eject Hinge - Small	79- 3
C219 3768	Upper Inner Cover	79- 5
C219 3950	Stepped Screw	43- 19
C219 4023	Seal	67- 16
C219 4071	Gear - 17Z	69- 11

Part No.	Description	Page and Index No.
C219 4505	Drum Stopper Ass'y	17- 1
C219 4506	Stopper Base	17- 5
C219 4648	Front Drum Flange	53- 13
C219 4678	Front Drum Flange cover	53- 14
C219 4679	Rear Seald - Drum Flange	55- 13
C219 5026	Pick-up Roller Shaft	27- 36
C219 5033	Paper Feed Roller	27- 35
C219 5066	Paper Feed Table Ass'y - LT	23- 3
C219 5067	Paper Feed Table Ass'y - A4	23- 3
C219 5073	Stepped Screw	23- 5
C219 5076	Paper Table	25- 16
C219 5079	Supporter	25- 27
C219 5081	Sensor Bracket	25- 36
C219 5101	Sector Gear	35- 27
C219 5105	Sector Gear Stopper	35- 30
C219 5106	Sector Gear Stopper	21- 27
C219 5108	Sector Stopper - Feed Roller	35- 21
C219 5109	Feed Sector Stopper	35- 20
C219 5120	Feed Cam Shaft	21- 11
C219 5122	Paper Feed Sector Cam	35- 25
C219 5127	Sector Gear Shaft	35- 23
C219 6080	Adjusting Lever Shaft	39- 6
C219 6084	Antistatic Brush	43- 9
C219 8021	Paper Detection Board	23- 7
C219 8113	Harness - Paper Detection Board	23- 9
C219 8146	Harness Head Power	67- 17
C219 8171	Microswitch	83- 4
C219 8174	Microswitch	81- 8
C219 8250	Lift Motor - DC 1.69W 0.2A	21- 2
C219 8296	Safety Switch	81- 19
C219 8296	Safety Switch	83- 25
C221 2004	Switch Bracket (A4)	81- 6
C221 2028	Switch Cover Bracket	81- 34
C221 2124	Cap	81- 24
C221 2128	Support Bracket	81- 25

Part No.	Description	Page and Index No.
C221 2573	Lower Pad - Rear Cover	11- 31
C221 2575	Large Pad - Rear Cover	11- 28
C221 3519	Roller Arm	75- 24
C221 3537	Pressure Spring	77- 4
C221 4070	Gear Cover	69- 13
C221 5570	Adjusting Plate - Exit Pawl	37- 10
C221 5573	Pressure On/off Lever	37- 3
C221 6002	Vacuum Base	39- 8
C221 6002	Vacuum Base	41- 14
C221 6037	Right Support Plate	41- 11
C221 6038	Left Support Plate	41- 13
C221 6048	Small Arm	41- 15
C221 6051	Support Arm	41- 8
C221 6081	Paper Delivery Plate	43- 10
C221 6115	Delivery Table Bracket	81- 26
C221 6118	Adjusting Lever Shaft	43- 6
C221 6127	Support Plate - Left Stay	45- 35
C221 6128	Support Plate - Right Stay	45- 34
C221 6130	Left Stay - Delivery Table	45- 33
C221 6131	Right Stay - Delivery Table	45- 32
C222 2001	Left Side Plate	15- 3
C222 2002	Right Side Plate	15- 21
C222 2020	Scanner Stopper	81- 15
C222 2062	Left Grip Cover	15- 7
C222 2071	Bottom Stay	15- 11
C222 2072	Bottom Stay	15- 17
C222 2089	Side Plate Bracket	15- 33
C222 2092	Seal	15- 34
C222 2095	Bottom Cover - Delivery Table	15- 32
C222 2098	Bottom Cover	15- 9
C222 2120	Left Bracket - Operation Panel	11- 35
C222 2121	Middle Bracket - Operation Panel	11- 36
C222 2122	Right Bracket - Operation Panel	11- 37
C222 2429	Support Cover - Paper Feed Cover	17- 29
C222 2552	Decal - Master Set	11- 34

Part No.	Description	Page and Index No.
C222 2552	Decal - Master Set	97- 22
C222 2553	Caution Decal - Master Set	73- 8
C222 2553	Caution Decal - Master Set	97- 23
C222 2554	Decal - Mode	97- 24
C222 2565	Multi Decal - Master Set - German	97- 22
C222 2566	Multi Decal - Master Set - French	97- 22
C222 2567	Multi Decal - Master Set - Italian	97- 22
C222 2568	Multi Decal - Master Set - Spanish	97- 22
C222 2811	Rear Upper Cover	11- 20
C222 2860	Front Cover Ass'y (NRG)(SVN)	11- 14
C222 2862	Front Door Ass'y (NRG)	11- 1
C222 3016	Scanner Grip Cover	65- 21
C222 3019	Scanner Harness Cover	61- 33
C222 3120	Spacer	61- 32
C222 3136	Scanner Rail Stopper	15- 27
C222 3150	1st Mirror Bracket	61- 10
C222 3169	Harness Bracket	61- 17
C222 3170	Exposure Glass Sheet	59- 17
C222 3175	Scanner Slider	25- 38
C222 3175	Scanner Slider	61- 6
C222 3178	Fluorescent Lamp Harness Bracket	61- 14
C222 3179	Harness Clip	61- 34
C222 3185	Mirror Bracket - 2nd/3rd	61- 1
C222 3193	Bushing - 8mm	63- 31
C222 3200	Fluorescent Lamp Harness	61- 16
C222 3232	CCD Board Cover	61- 30
C222 3234	Grounding Plate (230V)	61- 35
C222 3235	Grounding Plate	65- 26
C222 4336	Duct Cover	73- 25
C222 4670	Ink Pump (RIC)(NRG)(SVN)	49- 16
C222 4680	Ink Pump (AB DICK)	49- 16
C222 5020	Separation Roller Shaft	29- 7
C222 5121	Position Indicator	25- 33
C222 5216	Rubber Plate - Guide Plate	33- 16
C222 5254	Solenoid Support Bracket	37- 25

Part No.	Description	Page and Index No.
C222 5275	Tension Spring	37- 26
C222 5512	Tension Spring	35- 44
C222 5518	Paper Release Lever	35- 43
C222 5519	Release Lever Shaft	35- 42
C222 5520	Solenoid Bracket	35- 45
C222 5525	Solenoid Cover	35- 47
C222 6101	Delivery Table Unit (LT)	45- 0
C222 6265	Delivery Table Unit (A4)	45- 0
C222 8008	IC - KG9F003024C	93- 3
C222 8012	A/D Converter Board	61- 31
C222 8028	Thermal Head Drive Board	67- 13
C222 8127	Plotter Unit Harness	83- 10
C222 8128	Thermal Head Harness	73- 6
C222 8129	Sensor Relay Harness	73- 22
C222 8157	Thermal Head Harness	83- 15
C222 8160	Thermal Head Drive Harness	73- 26
C222 8163	Thermal Head Harness - 2	67- 14
C222 8164	Thermal Head Harness - 1	67- 15
C222 8208	Air Knife Motor	73- 23
C222 8208	Air Knife Motor	79- 12
C222 8216	Stepper Motor - DC2.85V 4.28W	69- 10
C222 8220	Fluorescent Lamp	61- 18
C222 8221	Inverter	63- 30
C222 8234	Paper Release Solenoid	35- 46
C222 8236	Press Roller Solenoid	37- 22
C222 8301	Power Supply Unit	43- 7
C222 8415	Scanner Harness	65- 9
C223 2029	Scanner Stopper Unit	17- 38
C223 2036	Scanner Stopper Bracket	17- 15
C223 2037	Cushion 1	17- 16
C223 2038	Cushion 2	17- 22
C223 2039	Stopper Bracket	17- 31
C223 2040	Stopper Seal 1	17- 32
C223 2041	Stopper Seal 2	17- 36
C223 2042	Stopper Seal 3	17- 39

Part No.	Description	Page and Index No.
C223 2043	Stopper Seal	17- 37
C223 2052	Left Fixing Bracket	17- 7
C223 2054	IPU Board Stud	83- 24
C223 2082	Solenoid Bracket	35- 7
C223 2085	Paper Table Lower Cover	15- 31
C223 2217	Gear - 50Z	19- 6
C223 2229	Feed Cam Gear	21- 15
C223 2309	Support Plate	19- 26
C223 2452	Decal - Paper Table Knob	97- 25
C223 2453	Decal - Paper Level	23- 13
C223 2453	Decal - Paper Level	97- 26
C223 2551	Base Pad - Front	85- 2
C223 2553	Base Pad - Rear	85- 3
C223 2586	Lower Plotter Cover	67- 19
C223 2587	Plotter Cover Pad	67- 20
C223 2599	Plotter Base Pad - Large	67- 11
C223 2801	Operation Panel Ass'y (LT)	11- 17
C223 2810	Front Cover Ass'y (RIC)	11- 14
C223 2812	Rear Cover Ass'y	11- 25
C223 2831	Operation Panel Ass'y (A4)	11- 17
C223 2865	Model Name Plate - GES	11- 6
C223 2866	Model Name Plate - REX	11- 6
C223 2867	Model Name Plate - NSA	11- 6
C223 2910	Front Cover Ass'y (AB DICK)	11- 14
C223 2921	Front Door Ass'y (SVN)	11- 1
C223 3014	Scanner Stopper Lever	65- 11
C223 3024	Contact Glass Sheet	65- 27
C223 3108	Scanner Open Grip	65- 18
C223 3109	Grip Bracket	65- 19
C223 3119	Scanner Open Cover	65- 28
C223 3215	CCD Bracket	61- 22
C223 3233	CCD Board Bracket	61- 36
C223 4005	Plotter Left Side Plate	67- 10
C223 4010	Plotter Right Side Plate	67- 27
C223 4030	Thermal Head Stay	67- 5

Part No.	Description	Page and Index No.
C223 4034	Spring	67- 7
C223 4035	Spacer	67- 4
C223 4037	Thermal Head Guide Plate	67- 2
C223 4038	Master Guide - Large	71- 17
C223 4047	Platen Roller	69- 5
C223 4054	Thermal Head Cover	67- 25
C223 4068	Front Guide Plate	71- 12
C223 4088	Lower Guide Plate	71- 18
C223 4111	Pulley - 38	69- 2
C223 4112	Timing Belt	69- 3
C223 4125	Left Connector Bracket	73- 7
C223 4133	Plotter Base	67- 18
C223 4175	Thermal Head Positioning Pin	69- 12
C223 4179	Left Holder - Platen Cover	69- 4
C223 4184	Right Holder - Platen Cover	69- 6
C223 4306	Invertor Guide Stay	73- 9
C223 4328	Duct Stay	73- 24
C223 4331	Duct Suppor Plate	73- 20
C223 4392	Solenoid Bracket	35- 48
C223 4395	Right Cushion	35- 49
C223 4396	Left Cushion	35- 50
C223 4398	Lever Cushion	35- 5
C223 4552	Master Exit Lever	35- 28
C223 4553	Master Release Lever	35- 3
C223 4555	Cushion	35- 51
C223 4801	Metal Screen - DLT	53- 12
C223 4836	Tetron Screen - DLT	55- 18
C223 5015	Lower Reverse Roller	29- 8
C223 5030	Lower Spring	29- 6
C223 5050	Paper Guide Rack	25- 24
C223 5055	Paper Table Arm	25- 30
C223 5073	Paper Table Fixing Bracket	25- 1
C223 5082	Left Side Plate	25- 8
C223 5085	Right Side Plate	25- 10
C223 5090	Motor Bracket	81- 27

Part No.	Description	Page and Index No.
C223 5091	Gear Shaft	81- 28
C223 5092	Lifting Gear Cover	81- 23
C223 5093	Lift Motor Bracket	81- 13
C223 5095	Worm Wheel	81- 29
C223 5096	Lift Gear	29- 22
C223 5097	Worm Wheel	81- 12
C223 5098	Support Gear Bracket	81- 30
C223 5099	Worm Gear Shaft	81- 31
C223 5120	Feed Cam - DLT	21- 14
C223 5123	Front Shaft - Paper Feed	25- 29
C223 5124	Stepped Screw - M8.2	25- 32
C223 5126	Timing Pulley	81- 32
C223 5128	Left Rack - Paper Feed	25- 14
C223 5133	Paper Lift Shaft	29- 18
C223 5215	Lower Guide Plate	33- 15
C223 5336	Paper Feed Slider	25- 22
C223 5350	Upper Paper Guide	27- 43
C223 5355	Paper Guide Slider	27- 44
C223 5360	Lower Paper Guide	27- 46
C223 5365	Left Guide Plate	27- 47
C223 5366	Right Guide Plate	27- 48
C223 5521	Left Pressure Arm	37- 7
C223 5525	Right Pressure Arm	37- 9
C223 5528	Pressure Stay	37- 8
C223 5529	Support Stay	37- 5
C223 5549	Rear Guide Plate	37- 6
C223 5560	Pressure Roller Cam - DLT	19- 10
C223 5564	Sheet Bracket	37- 28
C223 5573	Drive Arm	37- 24
C223 5574	Solenoid Bracket	37- 23
C223 5603	Pressure Shaft - A3	37- 13
C223 6004	Stripper Pawl Cam	37- 11
C223 6183	End Plate	85- 4
C223 8004	UVEPROM 256K X8 150NS	83- 14
C223 8005	UVEPROM 256K X8 150NS	83- 12

Part No.	Description	Page and Index No.
C223 8006	UVEPROM 256K X8 150NS	83- 13
C223 8016	Image Processing Board	83- 11
C223 8017	IPU Board	93- 0
C223 8037	Thermal Head - A3	67- 1
C223 8042	Main Control Board	83- 23
C223 8042	Main Control Board	89- 0
C223 8045	UVEPROM 512KX8 150NS	83- 8
C223 8045	UVEPROM 512K X8 150NS	89- 1
C223 8047	UVEPROM 512K X8 150NS	83- 26
C223 8047	UVEPROM 512K X8 150NS	89- 2
C223 8058	AC Drive Board - 120V	81- 10
C223 8058	AC Drive Board - 120V	91- 0
C223 8064	AC Drive Board - 230V	81- 10
C223 8064	AC Drive Board - 230V	91- 0
C223 8072	CCD Board	61- 24
C223 8090	IC - MN56030RTE	93- 4
C223 8091	IC - UPD65622GF-184-3	93- 5
C223 8092	IC - MBCG24692-4432	93- 6
C223 8111	DC Drive Harness - 120V	15- 15
C223 8111	DC Drive Harness (115V)	83- 16
C223 8119	Drum Harness	35- 9
C223 8122	Master Exit Harness	75- 7
C223 8123	AC Drive Harness - 120V	15- 14
C223 8208	DC Drive Harness - 230V	15- 15
C223 8208	DC Drive Harness (230V)	83- 16
C223 8213	DC Motor	81- 11
C223 8214	Stepping Motor	63- 16
C223 8223	AC Drive Harness - 230V	15- 14
C223 8224	DC Solenoid Ass'y	35- 6
C223 8294	Safety Switch	17- 27
C223 8295	Safety Switch Relay Harness	17- 26
C223 8600	Operating Instructions - English A4 (RIC)	97- 0
C223 8607	Operating Instructions - English LT (RIC)	97- 0
C223 8608	Operating Instructions - English ASIA	97- 0
C223 8647	Operating Instructions - English (AB DICK)	97- 0

Part No.	Description	Page and Index No
C223 8650	Operating Instructions - English (SVN)	97- 0
C223 8690	Operating Instructions - English A4 (NRG)	97- 0
C223 8697	Operating Instructions - English LT (NRG)	97- 0
C225 2866	Decal Key-top Cover (REX)	11- 24
C225 2867	Decal Key-top Cover (NSA)	11- 24
C522 2417	Cover Stopper Supporter	87- 2
C522 2423	Cushion Seal - 10x19	87- 7
C522 2431	Side Fence	87- 6
C522 2432	Rear Fence	87- 18
C522 2433	Plate Nut	87- 13
C522 2434	Grounding Plate	87- 11
C522 2435	Screw - M3	87- 15
C525 2031	Door Hinge	95- 3
C525 2032	Door Catch	95- 4
C525 2038	Caster	95- 7
C525 2039	Caster Stopper	95- 6
C526 2113	Decal - Drum Set	95- 10
C526 2150	Drum Decal - Black	95- 11
C526 2151	Drum Decal - Red	95- 11
C526 2152	Drum Decal - Blue	95- 11
C526 2153	Drum Decal - Green	95- 11
C526 2154	Drum Decal - Brown	95- 11
C526 2202	Option Drum Case	95- 8
C526 8172	Relay Harness (Option Drum)	55- 2
C530 5012	Cassette Cover - Large	87- 3
C546 2020	Left Door	95- 1
C546 2025	Right Door	95- 5
C546 2030	Door Grip	95- 2
C546 2035	Adjusting Screw	95- 9
H002 2226	Bushing	73- 13
H012 1181	Bushing- 6mm	73- 4
H012 1181	Bushing- 6mm	73- 15

Part No.	Description	Page and Index No.
A012 5226	IC - TC19G060AF0027	93- 1
A030 1339	Plate Nut - Key Counter	11- 10
A037 5222	IC - TC23SC100AF	93- 2
A153 6409	Decal Key-top Cover (GES)	11- 24
5053 0223	Bushing - 8mm	47- 21
5053 0419	Bushing - 10mm	27- 38
5054 0536	Magnet Catch Ass'y	51- 8
5054 0536	Magnet Catch Ass'y	67- 23
5056 0188	Bushing - 6mm - Long	71- 4
5056 0509	Nut Plate - Microswitch	83- 3
5070 0923	Spring Washer - Rotating Table	25- 3
5203 5230	Master Sensor	67- 30
5205 2680	Coupled Gear - 16T/53T	21- 5
5205 2681	Coupled Gear - 17T/50T	21- 4
5206 2684	Shoulder Screw - M3	27- 33
5290 5012	Cassette Cover - Small	87- 19
5309 1023	Pinion Paper Feed Table	25- 26
5324 1658	Bushing- 4x8x4.5mm	73- 11
5400 3404	Stepped Screw	51- 17
5403 2048	Bushing - 4mm	17- 25
5403 2075	Stepped Screw	29- 24
5403 2075	Stepped Screw	35- 38
5403 2075	Stepped Screw	71- 5
5403 2075	Stepped Screw	75- 17
5403 6246	Stepped Screw - Cleaning	35- 22
5413 1882	Stepped Screw	49- 1
5413 2274	Spring Aunchor - Release Lever	55- 11
5447 2681	Snap Ring	63- 24
5448 2824	Flex Hinge - Platen Cover	13- 4
5501 4719	Rubber Ring - Stopper	17- 19
5501 7559	Spring - Master Feed	35- 10
5501 7559	Spring - Master Feed	43- 26
5501 8180	Flat Spring - Feed Roller Pressure	27- 3
5501 8328	Spring - Feed Roller Brake	33- 18
5505 3598	Spring - Ratch - Control Section	49- 9

Part No.	Description	Page and Index No.
5505 6528	Spring - Press Roller	33- 11
5505 7197	Spring - Hinge - Inking	25- 25
5506 1536	Screw - M4X6	25- 2
5506 4169	Rubber Roller - Paper Feed	27- 29
5506 4235	Plate Nut - Paper Pressure	27- 9
5506 4608	Bushing - Paper Hold/down Roller -	75- 23
5506 6069	Step Screw - Etching Middle Roller	55- 6
5506 6111	Stepped Screw - M4	53- 8
5506 6197	Screw - Knife Cam - Leading Edge CL	43- 8
5506 6197	Screw - Knife Cam - Leading Edge CL	45- 31
5506 6314	Mylar - Master Feed Table	25- 9
5507 6032	Timing Belt Pulley - 30T	27- 31
5507 6035	Timing Belt - 162XL	27- 34
5507 6060	Guide Screw - Front Plate	31- 8
5507 6624	Bushing - 8x16x45mm	49- 6
5507 6828	Rubber Plate - Feed Table	23- 1
5507 6828	Rubber Plate - Feed Table	87- 8
5600 1080	Bush - Paper Feed Roller - Left	33- 26
5600 1081	Right Bushing - Paper Feed Roller	27- 42
5600 1086	Spacer - 10.2 X 20	27- 28
5600 1107	Snap Retainer - 12	25- 17
5600 1107	Snap Retainer - 12	27-116
5600 1379	Spring	51- 16
5603 1045	Screw - M5	43- 32
5603 1045	Screw - M5	45- 11
5606 2066	Paper Feed Guide Disc	27- 27
5606 2310	Roller	25- 13
5607 2814	Roller Spring	37- 12
5607 3927	Stepped Screw - M3x8	45- 36
5875 2088	Shoulder Screw - M4	59- 4
5875 2088	Shoulder Screw - M4	65- 24

Part No.	Description	Page and Index No.
0252 0080Z	Philips Pan Head Screw - M2x8	17-102
0312 5050Z	Philips Pan Head Screw - M2.5x5	71-102
0313 0030Z	Philips Pan Head Screw - M3x3	75-101
0313 0030Z	Philips Pan Head Screw - M3x3	75-111
0313 0040B	Philips Pan Head Screw - M3x4	21-100
0313 0040Z	Philips Pan Head Screw - M3x4	35-107
0313 0040Z	Philips Pan Head Screw - M3x4	41-108
0313 0040Z	Philips Pan Head Screw - M3x4	43-102
0313 0040Z	Philips Pan Head Screw - M3x4	49-101
0313 0040Z	Philips Pan Head Screw - M3x4	57-106
0313 0040Z	Philips Pan Head Screw - M3x4	67-100
0313 0050W	Philips Pan Head Screw - M3x5	13-102
0313 0050W	Philips Pan Head Screw - M3x5	31-103
0313 0050Z	Philips Screw - 3x5	29-109
0313 0050Z	Philips Screw - 3x5	33-108
0313 0050Z	Philips Screw - 3x5	57-117
0313 0050Z	Philips Screw - 3x5	63-102
0313 0050Z	Philips Screw - 3x5	67-102
0313 0050Z	Philips Screw - 3x5	71-105
0313 0050Z	Philips Screw - 3x5	73-105
0313 0050Z	Philips Pan Head Screw - M3x5	75-106
0313 0060Z	Philips Pan Head Screw - M3x6	37-112
0313 0060Z	Philips Pan Head Screw - M3x6	45-104
0313 0060Z	Philips Pan Head Screw - M3x6	47-110
0313 0060Z	Philips Pan Head Screw - M3x6	59-105
0313 0060Z	Philips Pan Head Screw - M3x6	61-101
0313 0060Z	Philips Pan Head Screw - M3x6	65-102
0313 0060Z	Philips Pan Head Screw - M3x6	67-101
0313 0060Z	Philips Pan Head Screw - M3x6	71-101
0313 0060Z	Philips Pan Head Screw - M3x6	73-100
0313 0060Z	Philips Pan Head Screw - M3x6	81-109
0313 0060Z	Philips Pan Head Screw - M3x6	83-100
0313 0080Z	Philips Screw - 3x8	73-111
0313 0100Z	Philips Pan Head Screw - M3x10	23-108
0313 0100Z	Philips Pan Head Screw - M3x10	41-103

Part No.	Description	Page and Index No.
0313 0120Z	Philips Screw - 3x12	17-110
0313 0140Z	Philips Pan Head Screw - M3x14	77-109
0313 0140Z	Philips Pan Head Screw - M3x14	83-103
0313 0350Z	Pan Head Screw - M3x35	73-109
0313 0350Z	Pan Head Screw - M3x35	79-107
0314 0050Z	Philips Pan Head Screw - M4x5	47-109
0314 0050Z	Philips Pan Head Screw - M4x5	75-104
0314 0060W	Philips Pan Head Screw - M4x6	13-101
0314 0060Z	Philips Pan Head Screw - M4x6	15-100
0314 0060Z	Philips Pan Head Screw - M4x6	17-108
0314 0060Z	Philips Pan Head Screw - M4x6	21-124
0314 0060Z	Philips Pan Head Screw - M4x6	27-111
0314 0060Z	Philips Pan Head Screw - M4x6	49-113
0314 0060Z	Philips Pan Head Screw - M4x6	51-105
0314 0060Z	Philips Pan Head Screw - M4x6	57-114
0314 0060Z	Philips Pan Head Screw - M4x6	59-101
0314 0060Z	Philips Pan Head Screw - M4x6	61-102
0314 0060Z	Philips Pan Head Screw - M4x6	65-101
0314 0060Z	Philips Pan Head Screw - M4x6	67-103
0314 0060Z	Philips Pan Head Screw - M4x6	69-101
0314 0060Z	Philips Pan Head Screw - M4x6	77-110
0314 0060Z	Philips Pan Head Screw - M4x6	79-108
0314 0060Z	Philips Pan Head Screw - M4x6	81-108
0314 0080Z	Philips Screw - 4x8	15-101
0314 0080Z	Philips Screw - 4x8	17-107
0314 0080Z	Philips Screw - 4x8	21-103
0314 0080Z	Philips Screw - 4x8	25-102
0314 0080Z	Philips Screw - 4x8	27-105
0314 0080Z	Philips Screw - 4x8	29-113
0314 0080Z	Philips Screw - 4x8	33-102
0314 0080Z	Philips Screw - 4x8	41-109
0314 0080Z	Philips Screw - 4x8	43-103
0314 0080Z	Philips Screw - 4x8	47-100
0314 0080Z	Philips Screw - 4x8	55-100
0314 0080Z	Philips Screw - 4x8	57-103

Part No.	Description	Page and Index No.
0314 0080Z	Philips Screw - 4x8	63-100
0314 0080Z	Philips Screw - 4x8	77-102
0314 0080Z	Philips Screw - 4x8	79-102
0314 0080Z	Philips Screw - 4x8	81-100
0314 0080Z	Philips Screw - 4x8	83-113
0314 0100Z	Philips Screw - 4x10	27-100
0314 0100Z	Philips Screw - 4x10	35-106
0314 0100Z	Philips Screw - 4x10	37-102
0314 0120Z	Philips Screw - 4x12	25-100
0314 0120Z	Philips Screw - 4x12	57-111
0314 0160Z	Philips Pan Head Screw - M4x16	81-112
0314 0200Z	Philips Screw - 4x20	33-103
0314 0200Z	Philips Screw - 4x20	35-104
0315 0060Z	Philips Screw - 5x6	19-117
0315 0080Z	Philips Screw - 5x8	21-117
0315 0120Z	Philips Screw - 5x12	15-104
0323 0050Z	Philips Sunken Head Screw - M3x5	53-101
0323 0060Z	Philips Sunk Screw - M3x6	17-101
0323 0060Z	Philips Sunk Screw - M3x6	19-100
0323 0060Z	Philips Sunk Screw - M3x6	45-103
0323 0060Z	Philips Sunk Screw - M3x6	55-110
0323 0060Z	Philips Sunk Screw - M3x6	87-102
0323 0100Z	Philips Sunken Head Screw - M3x10	27-103
0323 0100Z	Philips Sunken Head Screw - M3x10	67-109
0324 0060Z	Philips Sunken Head Screw - M4x6	15-108
0324 0060Z	Philips Sunken Head Screw - M4x6	59-107
0324 0060Z	Philips Sunken Head Screw - M4x6	65-107
0333 0080D	Philips Counter Sunk Screw - M3x8	11-103
0343 0060W	Philips Pan Head Screw - M3x6	45-101
0344 0060D	Philips Truss Head Screw - M4x6	59-100
0344 0060D	Philips Truss Head Screw - M4x6	59-102
0344 0080D	Philips Truss Head Screw - M4x8	11-102
0413 0052Z	Tapping Screw - M3x5	87-101
0433 0060W	Tapping Screw - M3x6	47-101
0433 0060W	Tapping Screw - M3x6	77-103

Part No.	Description	Page and Index No.
0433 0080Z	Tapping Screw - M3x8	37-111
0433 0082Z	Tapping Screw - M3x8	87-100
0434 0060Z	Tapping Screw - M4x6	49-107
0434 0060Z	Tapping Screw - M4x6	51-100
0434 0060Z	Tapping Screw - M4x6	67-105
0434 0060Z	Tapping Screw - M4x6	75-102
0434 0060Z	Tapping Screw - M4x6	77-107
0434 0060Z	Tapping Screw - M4x6	79-103
0434 0062W	Pan Head Tapping Screw - M4x6	79-106
0434 0080Z	Tapping Screw - M4x8	15-102
0434 0080Z	Tapping Screw - M4x8	17-105
0434 0080Z	Tapping Screw - M4x8	21-102
0434 0080Z	Tapping Screw - M4x8	27-104
0434 0080Z	Tapping Screw - M4x8	31-101
0434 0080Z	Tapping Screw - M4x8	33-105
0434 0080Z	Tapping Screw - M4x8	35-101
0434 0080Z	Tapping Screw - M4x8	41-100
0434 0080Z	Tapping Screw - M4x8	43-108
0434 0080Z	Tapping Screw - M4x8	49-111
0434 0080Z	Tapping Screw - M4x8	67-104
0434 0080Z	Tapping Screw - M4x8	69-104
0434 0080Z	Tapping Screw - M4x8	79-100
0434 0080Z	Tapping Screw - M4x8	81-103
0434 0080Z	Tapping Screw - M4x8	83-106
0434 0082Z	Tapping Screw - M4x8	57-113
0434 0100Z	Pan Head Self-tapping Screw - M4x10	17-104
0434 0100Z	Pan Head Self-tapping Screw - M4x10	51-103
0452 4012Z	Tapping Screw - M4x12	13-103
0573 0040E	Hexagon Headless Set Screw - M3x4	57-110
0573 0040E	Hexagon Headless Set Screw - M3x4	63-105
0573 0050E	Hexagon Headless Set Screw - M3x5	21-122
0573 0050E	Hexagon Headless Set Screw - M3x5	33-111
0574 0040E	Hexagon Headless Set Screw - M4x4	19-106
0574 0040E	Hexagon Headless Set Screw - M4x4	27-113
0574 0040E	Hexagon Headless Set Screw - M4x4	29-106

Part No.	Description	Page and Index No.
0574 0040E	Hexagon Headless Set Screw - M4x4	69-100
0574 0040E	Hexagon Headless Set Screw - M4x4	79-109
0574 0040E	Hexagon Headless Set Screw - M4x4	81-116
0574 0050E	Hexagon Headless Set Screw - M4x5	19-119
0574 0050E	Hexagon Headless Set Screw - M4x5	29-112
0574 0050E	Hexagon Headless Set Screw - M4x5	49-106
0574 0050E	Hexagon Headless Set Screw - M4x5	55-115
0575 0080E	Hexagon Headless Set Screw - M5x8	53-107
0575 0080E	Hexagon Headless Set Screw - M5x8	55-104
0575 0080E	Hexagon Headless Set Screw - M5x8	57-108
0584 0101Z	Hexagon Bolt - M4x10	37-113
0584 0121Z	Hexagon Bolt - M4x12	37-107
0584 0121Z	Hexagon Bolt - M4x12	47-111
0585 0100Z	Bolt - M5x10	21-108
0585 0161B	Hexagon Bolt - M5x16	25-104
0586 0451Z	Hexagon Bolt - M6x45	37-106
0593 0080E	Bolt - M3x8	47-113
0594 0060E	Socket Screw - 4X6	21-119
0594 0060E	Socket Screw - 4X6	35-118
0594 0060E	Socket Screw - 4X6	37-109
0594 0060E	Socket Screw - 4X6	57-105
0594 0080E	Bolt - M4x8	17-112
0594 0080E	Bolt - M4x8	19-101
0594 0080E	Bolt - M4x8	27-110
0594 0080E	Bolt - M4x8	57-115
0594 0080Z	Bolt - M4x8	53-108
0594 0080Z	Bolt - M4x8	55-102
0594 0120E	Hexagon Bolt - M4x12	39-111
0594 0200E	Hexagon Bolt - M4x20	57-107
0595 0080E	Hexagon Bolt - M5x8	53-105
0595 0080Z	Bolt - M5x8	49-112
0595 0120E	Socket Screw - M5X12	15-103
0595 0120E	Socket Screw - M5X12	19-110
0595 0140E	Hexagon Bolt - M5x14	37-114
0595 0140E	Hexagon Bolt - M5x14	53-106

Part No.	Description	Page and Index No.
0595 0140E	Hexagon Bolt - M5x14	55-103
0595 0140E	Hexagon Bolt - M5x14	57-109
0622 0060E	Spring Pin - 2x6mm	35-100
0622 0250E	Spring Pin M2x250	17-103
0623 0080E	Spring Pin - 3x8mm	35-116
0623 0080E	Spring Pin - 3x8mm	49-104
0623 0080E	Spring Pin - 3x8mm	51-104
0623 0100E	Spring Pin - 3x10mm	35-120
0623 0100E	Spring Pin - 3x10mm	37-121
0623 0120E	Spring Pin - M3x12	35-102
0623 0120E	Spring Pin - M3x12	75-107
0623 0140E	Spring Pin - 3x14mm	19-116
0623 0140E	Spring Pin - 3x14mm	35-123
0623 0160E	Spring Pin - 3x16mm	39-105
0623 0160E	Spring Pin - 3x16mm	47-115
0623 0180E	Spring Pin - 3x18mm	47-116
0623 0200E	Spring Pin - 3x20mm	19-115
0623 0200E	Spring Pin - 3x20mm	29-111
0624 0160E	Spring Pin - 4x16mm	29-110
0700 0060G	Flat Washer - M6	35-121
0700 0060Z	Flat Washer - M6	25-110
0701 0030Z	Flat Washer - M3	61-107
0701 0030Z	Flat Washer - M3	73-110
0701 0040Z	Flat Washer - M4	21-118
0701 0040Z	Flat Washer - M4	27-109
0701 0040Z	Flat Washer - M4	35-117
0701 0040Z	Flat Washer - M4	37-110
0701 0050Z	Flat Washer - M5	21-109
0701 0060Z	Flat Washer - M6	71-103
0701 0080Z	Flat Washer - M8	25-103
0701 0080Z	Flat Washer - M8	43-104
0705 0040B	Toothed Washer	11-105
0705 0040B	Toothed Washer	25-112
0705 0040B	Toothed Washer	81-106
0707 3050B	Bushing - 3x5mm	41-105

Part No.	Description	Page and Index No.
0707 3080B	Bushing - M3x8	41-106
0707 4160B	Bushing - 4x16mm	49-105
0707 6120B	Bushing - 6x12mm	21-121
0707 8105B	Bushing - M8x10.5	45-102
0710 0040Z	Hex Nut 4	25-109
0710 0040Z	Hex Nut 4	37-108
0710 0040Z	Hex Nut 4	47-112
0712 0060Z	Hexagon Nut - M6	19-113
0712 0060Z	Hexagon Nut - M6	21-104
0713 0040B	Hexagon Nut - M4	27-118
0713 0040B	Hexagon Nut - M4	29-100
0713 0040B	Hexagon Nut - M4	33-110
0713 0040B	Hexagon Nut - M4	35-114
0713 0040B	Hexagon Nut - M4	65-106
0713 0050B	Hexagon Nut - M5	17-109
0713 0050B	Hexagon Nut - M5	19-111
0713 0050B	Hexagon Nut - M5	21-120
0713 0050B	Hexagon Nut - M5	23-107
0713 0050B	Hexagon Nut - M5	35-119
0713 0050B	Hexagon Nut - M5	47-107
0713 0050B	Hexagon Nut - M5	65-111
0713 0080B	Flanged Hexagon Nat - M8	47-108
0720 0020Z	Retaining Ring - M2	73-101
0720 0020Z	Retaining Ring - M2	81-110
0720 0020Z	Retaining Ring - M2	83-115
0720 0025Z	Retaining Ring - M2.5	73-102
0720 0030Z	Retaining Ring - M3	37-118
0720 0030Z	Retaining Ring - M3	45-100
0720 0030Z	Retaining Ring - M3	47-102
0720 0030Z	Retaining Ring - M3	65-108
0720 0030Z	Retaining Ring - M3	75-103
0720 0030Z	Retaining Ring - M3	77-105
0720 0040Z	Retaining Ring - M4	21-101
0720 0040Z	Retaining Ring - M4	25-106
0720 0040Z	Retaining Ring - M4	27-106

Part No.	Description	Page and Index No.
0720 0040Z	Retaining Ring - M4	27-108
0720 0040Z	Retaining Ring - M4	31-102
0720 0040Z	Retaining Ring - M4	35-110
0720 0040Z	Retaining Ring - M4	37-117
0720 0040Z	Retaining Ring - M4	39-101
0720 0040Z	Retaining Ring - M4	43-109
0720 0040Z	Retaining Ring - M4	47-103
0720 0040Z	Retaining Ring - M4	67-108
0720 0040Z	Retaining Ring - M4	71-100
0720 0040Z	Retaining Ring - M4	73-103
0720 0040Z	Retaining Ring - M4	75-100
0720 0040Z	Retaining Ring - M4	77-104
0720 0050Z	Retaining Ring - M5	17-106
0720 0050Z	Retaining Ring - M5	21-123
0720 0050Z	Retaining Ring - M5	27-117
0720 0050Z	Retaining Ring - M5	33-101
0720 0050Z	Retaining Ring - M5	35-122
0720 0050Z	Retaining Ring - M5	49-110
0720 0050Z	Retaining Ring - M5	53-103
0720 0050Z	Retaining Ring - M5	57-104
0720 0050Z	Retaining Ring - M5	71-104
0720 0050Z	Retaining Ring - M5	75-108
0720 0050Z	Retaining Ring - M5	77-113
0720 0060Z	Retaining Ring - M6	25-107
0720 0060Z	Retaining Ring - M6	27-119
0720 0060Z	Retaining Ring - M6	37-104
0720 0060Z	Retaining Ring - M6	43-100
0720 0060Z	Retaining Ring - M6	47-104
0720 0060Z	Retaining Ring - M6	49-108
0720 0060Z	Retaining Ring - M6	51-106
0720 0060Z	Retaining Ring - M6	69-106
0720 0060Z	Retaining Ring - M6	77-106
0720 0070Z	Retaining Ring - M7	67-107
0720 0080E	Retaining Ring - M8	39-106
0720 0080Z	Retaining Ring - M8	19-109

Part No.	Description	Page and Index No.
0720 0080Z	Retaining Ring - M8	21-106
0720 0080Z	Retaining Ring - M8	21-111
0720 0080Z	Retaining Ring - M8	29-102
0720 0080Z	Retaining Ring - M8	35-109
0720 0080Z	Retaining Ring - M8	39-103
0720 0080Z	Retaining Ring - M8	47-105
0720 0080Z	Retaining Ring - M8	69-102
0720 0080Z	Retaining Ring - M8	77-111
0720 0100Z	Retaining Ring - M10	43-101
0720 0120Z	Retaining Ring - M12	37-101
0720 0120Z	Retaining Ring - M12	81-113
0725 0100Z	Retaining Ring - M10	19-103
0725 0160E	Retaining Ring C - M16	57-101
0725 0220Z	Retaining Ring - M22	35-111
0740 3007	Ball Bearing - 7x19x6mm	35-112
0740 3007	Ball Bearing - 7x19x6mm	37-105
0740 3008	Ball Bearing - 8x22x7	69-105
0740 3010	Ball Bearing - 10x26x8mm	19-112
0740 3010	Ball Bearing - 10x26x8mm	33-104
0740 3206	Ball Bearing - 6x19x6	37-116
0740 3808	Ball Bearing - 8x16x5mm	33-109
0741 3506	Ball Bearing - 6x12x4 Mm	39-102
0741 3706	Ball Bearing - 6x10x3	81-114
0741 3807S	Ball Bearing - 7x14x5	19-114
0741 3807S	Ball Bearing - 7x14x5	21-105
0741 3908S	Ball Bearing - 8x19x6	19-118
0800 0084	Philips Pan Head Screw - M2.3x12	23-106
0800 0084	Philips Pan Head Screw - M2.3x12	83-104
0801 1004	Screw - M4X4	13-100
0801 1004	Screw - M4X4	15-107
0801 1004	Screw - M4X4	27-102
0801 1004	Screw - M4X4	29-108
0801 1004	Screw - M4X4	33-100
0801 1004	Screw - M4X4	61-105
0801 1004	Screw - M4X4	63-101

Part No.	Description	Page and Index No.
0801 1004	Screw - M4X4	65-110
0801 1135	Philips Pan Head Screw - M3x3	21-113
0802 5097	Tapping Screw - M3x10	11-108
0804 4046	Spring Pin - 4x16	19-105
0804 4048	Spring Pin - 4x20	19-104
0804 4055	Pin	27-112
0804 4060	Spring Pin - M4x22	37-115
0804 4061	Spring Pin - M6	29-105
0804 6074	Hexagon Bolt - M4x8	63-104
0804 6090	Hexagon Bolt - M4	33-112
0804 6091	Hexagonal Set Screw - M2x5	55-116
0804 6092	Hexagonal Set Screw	19-108
0804 6092	Hexagonal Set Screw	55-111
0804 6101	Hexagon Bolt - M3	35-103
0805 0084	Retaining Ring	33-106
0805 3104	Ball Bearing - 8x22x7mm	21-112
0805 3134	Ball Bearing - 10x26x8mm	19-102
0805 3263	Bearing - 6 X 10 X 6mm	27-115
0805 3452	Ball Bearing - 10x22x6mm	39-107
0805 3452	Ball Bearing - 10x22x6mm	47-114
0805 6009	Rubber Foot	15-105
0807 3041	Spring Washer	75-109
0807 3083	Washer	17-111
0807 3103	Washer - 4x13x2.3mm	55-108
0807 4118	Flat Washer	77-112
0807 4126	Flat Washer - 6.2x12x0.2mm	55-107
0807 5004	Washer	35-113
0807 5013	Flat Washer - M8.4	43-110
0807 5044	Spacer - 8.1mm X 11.5mm X 0.2	55-106
0807 5076	Washer - 8x13x2.2mm	55-109
0807 7013	Spacer - 10.2 X 14 X 0.2 mm	19-107
0807 7013	Spacer - 10.2 X 14 X 0.2 mm	21-110
0807 7013	Spacer - 10.2 X 14 X 0.2 mm	21-127
0807 7013	Spacer - 10.2 X 14 X 0.2 mm	29-101
0807 7013	Spacer - 10.2 X 14 X 0.2 mm	47-106

Part No.	Description	Page and Index No.
0807 7018	Washer - M10	21-116
0807 7055	Holder - Main Shaft	21-107
0807 7064	Spacer	81-105
0807 7114	Washer - 16x24x0.3mm	55-105
0807 7114	Washer - 16x24x0.3mm	57-102
0808 0021	Rubber Ring	49- 19
0950 5012B	Philips Screw With Flat Washer - M5x12	95-102
0951 3004Z	Philips Screw With Flat Washer-M3x4	23-109
0951 3004Z	Philips Screw With Flat Washer-M3x4	35-115
0951 3004Z	Philips Screw With Flat Washer-M3x4	37-119
0951 3004Z	Philips Screw With Flat Washer-M3x4	83-101
0951 3005Z	Philips Pan Head Screw - M3 X 5	23-102
0951 3005Z	Philips Pan Head Screw - M3 X 5	27-107
0951 3005Z	Philips Pan Head Screw - M3 X 5	29-107
0951 3005Z	Philips Pan Head Screw - M3 X 5	51-101
0951 3006Z	Philips Screw With Flat Washer - M3x6	15-109
0951 3006Z	Philips Screw With Flat Washer - M3	17-100
0951 3006Z	Philips Screw With Flat Washer - M3	25-108
0951 3006Z	Philips Screw With Flat Washer - M3	27-101
0951 3006Z	Philips Screw With Flat Washer - M3	35-105
0951 3006Z	Philips Screw With Flat Washer - M3	61-100
0951 3006Z	Philips Screw With Flat Washer - M3	75-105
0951 3006Z	Philips Screw With Flat Washer - M3	83-112
0951 3008Z	Philips Screw With Flat Washer - M3	25-111
0951 3008Z	Philips Screw With Flat Washer - M3	43-106
0951 3008Z	Philips Screw With Flat Washer - M3	73-106
0951 3008Z	Philips Screw With Flat Washer - M3	83-117
0951 3012Z	Philips Screw W/h Flat Washer-M3x12	41-104
0951 3012Z	Philips Screw W/h Flat Washer-M3x12	83-105
0951 4006B	Philips Screw With Washer - M4x6	95-100
0951 4006Z	Philips Screw With Flat Washer M4x6	11-109
0951 4006Z	Philips Screw With Flat Washer - M4	21-125
0951 4006Z	Philips Screw With Flat Washer - M4	33-107
0951 4006Z	Philips Screw With Flat Washer - M4	35-108
0951 4006Z	Philips Screw With Flat Washer - M4	49-100

Part No.	Description	Page and Index No
0951 4006Z	Philips Screw With Flat Washer - M4	53-104
0951 4006Z	Philips Screw With Flat Washer - M4	55-113
0951 4006Z	Philips Screw With Flat Washer - M4	57-100
0951 4006Z	Philips Screw With Flat Washer - M4	73-107
0951 4008Z	Philips Screw With Flat Washer M4x8	25-105
0951 4008Z	Philips Screw With Flat Washer M4x8	29-104
0951 4008Z	Philips Screw With Flat Washer M4x8	37-100
0951 4008Z	Philips Screw With Flat Washer M4x8	39-100
0951 4008Z	Philips Screw With Flat Washer M4x8	39-108
0951 4008Z	Philips Screw With Flat Washer M4x8	53-100
0951 4008Z	Philips Screw With Flat Washer M4x8	55-114
0951 4008Z	Philips Screw With Flat Washer M4x8	57-116
0951 4008Z	Philips Screw With Flat Washer M4x8	61-104
0951 4010Z	Philips Screw With Flat Washer M4 X	27-120
0951 4010Z	Philips Screw With Flat Washer M4 X	49-109
0951 4010Z	Philips Screw With Flat Washer M4 X	69-103
0951 4020Z	Philips Screw With Flat Washer - M4	49-103
0951 5035Z	Philips Screw W/t Flat Washer-M3x35	15-106
0952 4008W	Philips Screw - M4x8	31-100
0952 4008W	Philips Screw - M4x8	55-112
0960 3006B	Philips Flange Screw - M3 X 6	83-114
0960 3006Z	Philips Flange Screw - M3x6	37-120
0960 3008B	Philips Flange Screw - M3x8	95-101
0960 4005Z		17-113
0960 4005Z	Philips Flange Screw - M4x5	77-101
0960 4006Z	Philips Frang Screw - M4x6	49-102
0960 4006Z	Philips Frang Screw - M4x6	51-102
0960 4006Z	Philips Frang Screw - M4x6	53-102
0960 4006Z	Philips Frang Screw - M4x6	59-103
0960 4006Z	Philips Frang Screw - M4x6	61-103
0960 4008W	Philips Flange Screw - M4x8	65-109
0960 4008Z	Flange Head Screw - 4 X 8	19-120
0960 4008Z	Flange Head Screw - 4 X 8	21-114
0960 4008Z	Flange Head Screw - 4 X 8	29-103
0960 4008Z	Flange Head Screw - 4 X 8	39-110

Part No.	Description	Page and Index No.
0960 4008Z	Flange Head Screw - 4 X 8	47-117
0960 4008Z	Flange Head Screw - 4 X 8	51-107
0960 4008Z	Flange Head Screw - 4 X 8	65-100
0960 4008Z	Flange Head Screw - 4 X 8	81-111
0960 4008Z	Flange Head Screw - 4 X 8	83-108
0960 4010Z	Philips Flange Screw - M4x10	77-100
0960 4010Z	Philips Flange Screw - M4x10	83-107
0960 5008Z	Philips Flange Screw - M5x8	21-115
0964 3006Z	Tapping Screw With Flat Washer - M3	41-107
0964 4006Z	Tapping Screw W/Flat Washer - M4x6	63-106
0964 4008Z	Tapping Screw W/washer - M4x8	73-104
0964 4008Z	Tapping Screw W/washer - M4x8	75-110
0964 4010Z	Tapping Screw W/washer - M4x10	79-101
0965 3006Z	Tapping Screw With Flat Washer-M3x6	11-100
0965 3006Z	Tapping Screw With Flat Washer-M3x6	79-105
0965 3008W	Tapping Screw With Flat Washer - M3x8	61-106
0965 3008W	Tapping Screw With Flat Washer-M3x8	61-109
0965 3010W	Tapping Screw With Flat Washer-M3x1	23-101
0965 3012W	Tapping Screw With Flat Washer - M3	45-105
0965 3012W	Tapping Screw With Flat Washer - M3	45-106
0965 4008W	Tapping Screw With Flat Washer-M4x8	11-104
1101 0328	Connector Pin Contact	89-101
1101 0328	Connector Pin Contact	93-101
1102 2098	Connector - 12p	55-101
1102 2402	Connector - 4p	91-104
1102 4201	Connector - 2p	91-105
1102 4202	Connector - 3p	89-102
1102 4204	CT Header - 5p	91-106
1102 4206	Connector - 7p	91-107
1102 4497	Connector - 13p	89-103
1102 4818	Connector - 20p	89-104
1102 4819	Connector - 22p	89-105
1102 4823	Connector - 30p	89-106
1102 5219	Connector - 28p	89-107
1102 5221	Connector - 26p	89-108

Part No.	Description	Page and Index No.
1102 5312	Connector - 7p	93-102
1102 5561	Connector - 20p	89-109
1102 5563	Connector - 24p	89-110
1102 5572	Connector - 30p	93-103
1102 6576	Connector - 60p	93-104
1102 6593	Connector - 9p	89-111
1102 7036	Connector - 30p	89-112
1102 7290	Connector - 5p	89-113
1102 7297	Connector - 120p	93-105
1103 1332	Connector - 26p	93-106
1104 0239	Lsi Socket - 24p	89-114
1104 0351	Fuse Holder	89-115
1104 0351	Fuse Holder	91-108
1104 0588	Dip Socket - 28p	89-116
1104 0588	Dip Socket - 28p	93-107
1105 0005	Nylon Clip - 3n	21-126
1105 0005	Nylon Clip - 3n	59-104
1105 0005	Nylon Clip - 3n	61-108
1105 0009		17-114
1105 0011	Nylon Clip - 8n	65-103
1105 0016	Nylon Clip - 4n	39-109
1105 0021	Cord Clamper	37-122
1105 0042	Wire Band	23-104
1105 0046	Harness	81-104
1105 0108	Nylon Clip	79-104
1105 0144	Harness Clamp	65-104
1105 0144	Harness Clamp	73-108
1105 0172	Clamp	41-101
1105 0193	Nylon Stud	67-106
1105 0209	Clamp	15-110
1105 0209	Clamp	57-112
1105 0225	Spacer - W Rocking	63-103
1106 0103	Universal Bushing	65-105
1106 0430	Bushing - 13mm	81-101
1107 0354	Fuse - 3.15A 125V	43-107

Part No.	Description	Page and Index No.
1107 0354	Fuse - 3.15A 125V	81-117
1107 0354	Fuse - 3.15A 125V	91-111
1107 0411	Fuse - 2A 125V	83-110
1107 0413	Fuse 3A	89-117
1107 0415	Fuse 5A	43-105
1107 0415	Fuse 5A	83-111
1107 0415	Fuse 5A	89-118
1107 0782	Circuit Breaker - 5A	83-109
1107 0788	Circuit Breaker - 6A	83-109
1204 1015	Dip Switch	89-119
1204 1481	Dip Switch	89-120
1204 1490	Micro Switch - V-53-1A3	77-108
1204 1490	Micro Switch - V-53-1A3	83-102
1204 2239	Micro Switch	23-105
1204 2267	Micro Switch - V-162-3C25	83-116
1204 2353	Switch - PS3670-02	59-106
1204 41442	Microswitch	81-115
1208 1245	Relay - DC24V	91-112
1208 1263	Relay - AC100V	91-113
1208 1317	Relay - DC24V	91-114
1400 0072	Transistor - 2SC37Y	91-115
1400 0234	Transistor - 2SA673A-C	91-116
1400 0403	Transistor - 2SC1623I6	89-121
1400 0455	Transistor - 2SC2873Y	89-122
1401 0398	IC - STA402A	89-123
1401 0400	Transistor Array - SLA4060	89-124
1401 0611	Diode - IS1588	91-117
1401 0835	Diode - 1SS190	89-125
1401 0870	FET 2SK724	91-118
1401 0876	IC - PA2003GR	89-126
1401 0877	IC - TD62083F	89-127
1402 0110	Silicon Diode - 200V-1.7A (R.M.S)	91-119
1402 0452	Zener Diode - RD18FB	91-120
1402 0476	Diode - 1SS184	89-128
1402 0646	Diode - S5VB20	91-121

Part No.	Description	Page and Index No.
1402 1204	Diode - 5A 800V	91-122
1402 1263	Diode - 200v - 1A	89-129
1403 0456	Photosensor - EE-SB5-C3	23-110
1403 0519	Photocoupler - TLP621	91-123
1403 0669	Red LED - SLM-13VW	89-130
1403 0690	Sensor - TLP1215	23-103
1403 0691	Photo Sensor	41-102
1404 0135	Varistor - 270V	91-124
1407 1535	IC - TD62308AP	89-131
1407 2187	IC - SN74LS07NS	89-132
1407 2218	TTLIC - SN74LS06NS	89-133
1407 2273	IC - TA8050P	89-134
1407 2348	IC - TC4051BF	89-135
1407 2413	IC - SN74LS138M	89-136
1407 2413	IC - SN74LS138M	93-108
1407 2417	TTL - IC - SN74LS240M	89-137
1407 2417	TTL - IC - SN74LS240M	93-109
1407 2746	IC - CXD1095Q	89-138
1407 2855	Switch - TC4S66F	89-139
1407 3492	CPU -78C10AGF	89-140
1407 3677	IC - MN8357	93-110
1407 3701	IC - TMP82C79M-2	89-141
1407 3885	IC - UPD71054GB-10-3B4	89-142
1407 4127	IC - TL7705ACPS	89-143
1407 4192	IC - SN74LS244M	89-144
1407 4192	IC - SN74LS244M	93-111
1407 4234	IC - SN74LS373M	89-145
1407 4360	TTL - SN74LS11M	89-146
1407 4371	IC - SN74LS145M	89-147
1407 4384	TTL - SN74LS174M	93-112
1407 4528	IC - CY7C167A-35PC	93-113
1407 4565	IC - TE6251	89-148
1408 0604	IC - UPC393G2	89-149
1408 0790	IC - UPC324G	89-150
1408 0827	IC - TA8429H	91-125

Part No.	Description	Page and Index No.
1408 0879	IC - IR9358N	89-151
1408 0880	IC - IR2339N	89-152
1408 1104	IC - MB2803PF-G	89-153
1503 0570	Oscillator - 15mhz	89-154
1503 0680	Oscillator - CSA20 OMXZ240	93-114
1600 1522	Resistor - 6.8K Ω 7W \pm 20%	91-126
1600 1523	Resistor - 1 Ω 10W \pm 10%	91-127
1601 7374	Resistor Array - 4.7K Ω	89-155
1601 7376	Resistor Array - 10K Ω \pm 5% 1/8W	89-156
1601 7377	Resistor Array - 15K Ω \pm 5% 1/8W	89-157
1601 7396	Resistor Array - 4.7K Ω	89-158
1601 7404	Resistor Array - 10K Ω 1/2W	89-159
1601 8145	Variable Resistor - 5K Ω 0.5W	89-160
1601 8156	Variable Resistor - 2K Ω 0.5W	89-161
1601 8157	Variable Resistor - 100K Ω	89-162
1601 8186	Variable Resistor - 200K Ω	89-163
1602 0991	Noise Filter - 115V	81-102
1602 1501	Resistor - 120 Ω 0.1 μ F	91-128
1604 1382	Capacitor - 10 μ F 50V	91-129
1604 2089	Capacitor - 1.0 μ F 1/8W \pm 20%	89-164
1604 2359	Capacitor - 100 μ F DC50V \pm 20%	91-130
1604 2621	Capacitor - 330 μ F \pm 20%	91-131
1606 1981	Capacitor - 0.0033 μ F \pm 5%	89-165
1606 1983	Capacitor - 0.015 μ F \pm 5% 50V	89-166
1606 1984	Capacitor - 0.022 μ F \pm 5% 50V	89-167
1606 1985	Capacitor - 0.033 μ F \pm 5% 50V	89-168
1606 1986	Capacitor - 0.1 μ F \pm 5% 16V	89-169
1606 2028	Capacitor - 0.22 μ F \pm 5%	89-170
1607 0001	Coil - SN-8S-500	89-171
1607 0280	Inductor - BLM41	89-172
1607 0477	Inductor - BLM21A05	89-173
1607 0477	Inductor - BLM21A05	93-115
1607 0742	Noise Filter - 230V	81-102
1611 4152	Resistor - 1.5K Ω 1/4T \pm 5%	91-132

Part No.	Description	Page and Index No.
1611 4221	Resistor - 220 Ω 1/4T \pm 5%	89-174
1611 4512	Resistor - 5.1K Ω 1/4T \pm 5%	91-133
1611 6361	Resistor - 360 Ω 1/8T \pm 5%	89-175
1611 6470	Resistor - 47 Ω 1/2T \pm 5%	89-176
1630 2101	Resistor - 100 Ω 1/8W	89-177
1630 2221	Resistor - 220 Ω	89-178
1630 2471	Resistor - 470 Ω 1/8W \pm 5%	93-116
1630 3102	Resistor - 1K Ω 1/10W \pm 5%	89-179
1630 3102	Resistor - 1K Ω 1/10W \pm 5%	93-117
1630 3103	Resistor - 10K Ω 1/10W \pm 5%	89-180
1630 3103	Resistor - 10K Ω 1/10W \pm 5%	93-118
1630 3124	Resistor - 120 Ω \pm 5% 1/10W	89-181
1630 3133	Resistor - 13K Ω \pm 5% 1/10W	89-182
1630 3151	Resistor - 150K Ω \pm 5% 1/10W	89-183
1630 3154	Resistor - 150K Ω \pm 5% 1/10W	89-184
1630 3203	Resistor - 20 Ω \pm 5% 1/10W	89-185
1630 3222	Resistor - 2.2K Ω 1/10W \pm 5%	89-186
1630 3223	Resistor - 22k Ω - 1/10W	89-187
1630 3242	Resistor - 2.4K Ω \pm 5% 1/10W	89-188
1630 3243	Resistor - 24K Ω \pm 5% 1/10W	89-189
1630 3244	Resistor - 240K Ω \pm 5% 1/10W	89-190
1630 3302	Resistor - 3k Ω - 1/10W	89-191
1630 3303	Resistor - 30K Ω \pm 5% 1/10W	89-192
1630 3332	Resistor - 3.3K Ω 1/10W \pm 5%	89-193
1630 3333	Resistor - 33K Ω \pm 5% 1/10W	89-194
1630 3391	Resistor - 390 Ω 1/10W \pm 5%	89-195
1630 3393	Resistor - 39K Ω 1/10W	89-196
1630 3471	Resistor - 470 Ω - 1/10W	89-197
1630 3472	Resistor - 4.7K Ω 1/10W \pm 5%	89-198
1630 3472	Resistor - 4.7K Ω 1/10W \pm 5%	93-119
1630 3473	Resistor - 47K Ω 1/10W \pm 5%	89-199
1630 3511	Resistor - 510 Ω 1/10W \pm 5%	89-200
1630 3513	Resistor - 51K Ω \pm 5% 1/10W	89-201

Part No.	Description	Page and Index No.
1630 3514	Resistor - 510K Ω \pm 5% 1/10W	89-202
1630 3562	Resistor - 5.6K Ω \pm 5% 1/10W	89-203
1630 3682	Resistor - 6.8k Ω - 1/10W	89-204
1630 3683	Resistor - 68K Ω \pm 5% 1/10W	89-205
1630 3823	Resistor - 82K Ω \pm 5% 1/10W	89-206
1630 3824	Resistor - 820K Ω \pm 5% 1/10W	89-207
1633 3601	Resistor - 3.6K Ω \pm 5% 1/10W	89-208
1633 4121	Resistor - 4.12K Ω \pm 1%	89-209
1633 4991	Resistor - 4.99K Ω \pm 1%	89-210
1633 6041	Resistor - 6.04K Ω \pm 1%	89-211
1640 2101	Capacitor - 100 μ F \pm 20% 25V	89-212
1640 5100	Capacitor - 10MICROF \pm 20% 50V	89-213
1640 5221	Capacitor - 220 μ F \pm 20% 50V	89-214
1642 0101	Capacitor - 100 μ F \pm 20% 50V	93-120
1660 3101	Capacitor - 100PF 50V	89-215
1660 3102	Capacitor - 1000PF \pm 5% 50V	89-216
1660 3151	Capacitor - 150PF \pm 5% 50V	89-217
1660 3151	Capacitor - 150PF \pm 5% 50V	93-121
1660 3220	Capacitor - 122PF \pm 5% 50V	93-122
1660 3221	Capacitor - 220PF \pm 5% 50V	93-123
1660 5103	Capacitor - 10000PF \pm 10% 50V	89-218
1660 5103	Capacitor - 10000PF \pm 10% 50V	93-124
1660 9104	C - 0.1 μ F 25V	89-219
1660 9104	C - 0.1 μ F 25V	93-125
1902 0003	SRAM - 64k - X8 - 100ns	93-126
2701 0101	Metal Screen Seal	53- 11

Part No.	Description	Page and Index No